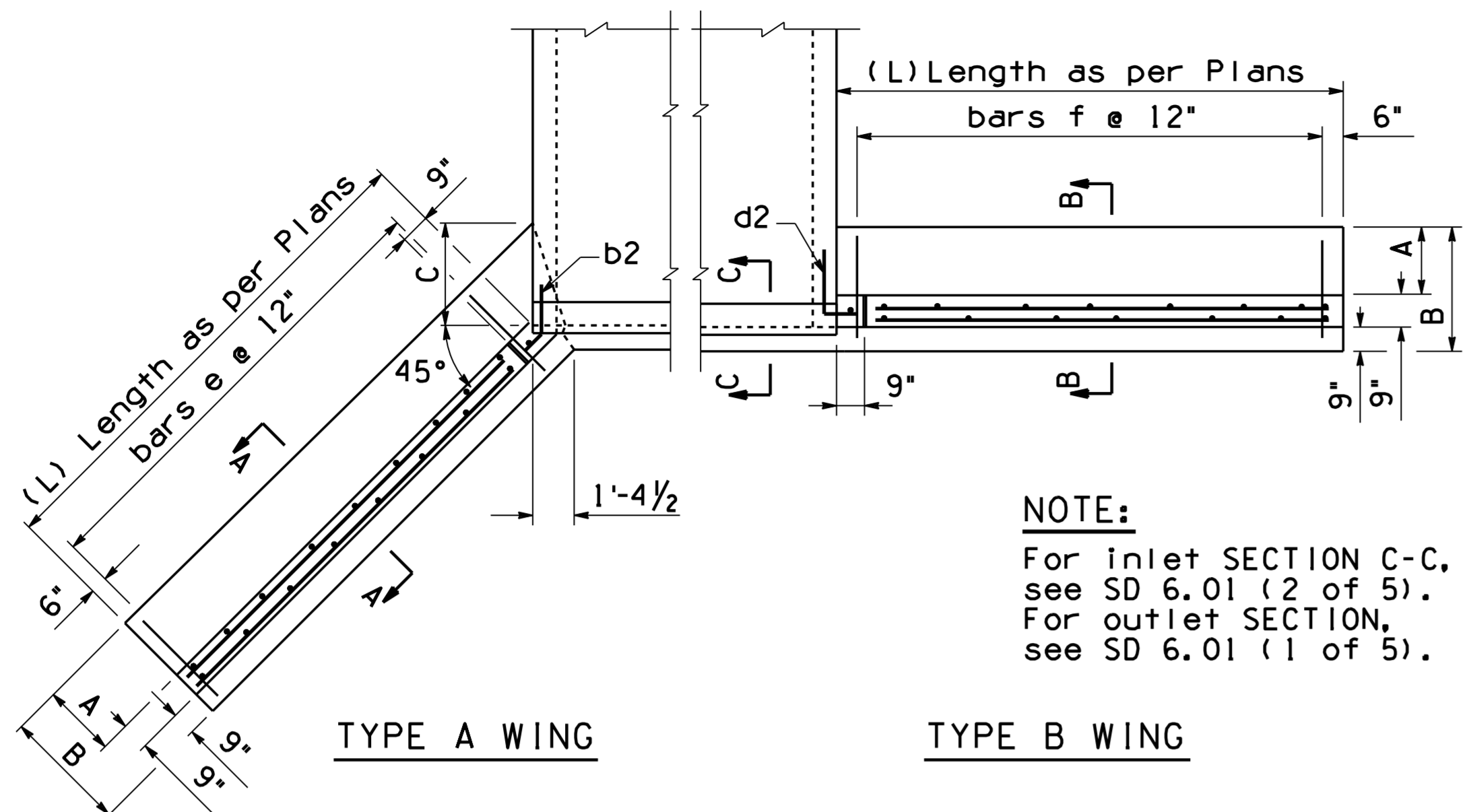


Note to Designer: The information presented in this Standard Detail has been prepared in accordance with recognized engineering principles and is for general use. It should not be used for specific application without competent professional examination and verification of its suitability and applicability by a licensed professional engineer. Contents within the inner border line shall not be altered.

NO.	DESCRIPTION OF REVISIONS	MADE BY	DATE
1	Original Issue	S.J.H.	2-12
2	Added 3'-4.5' height for existing box extensions only	D.B.B.	5-15
3			
4			

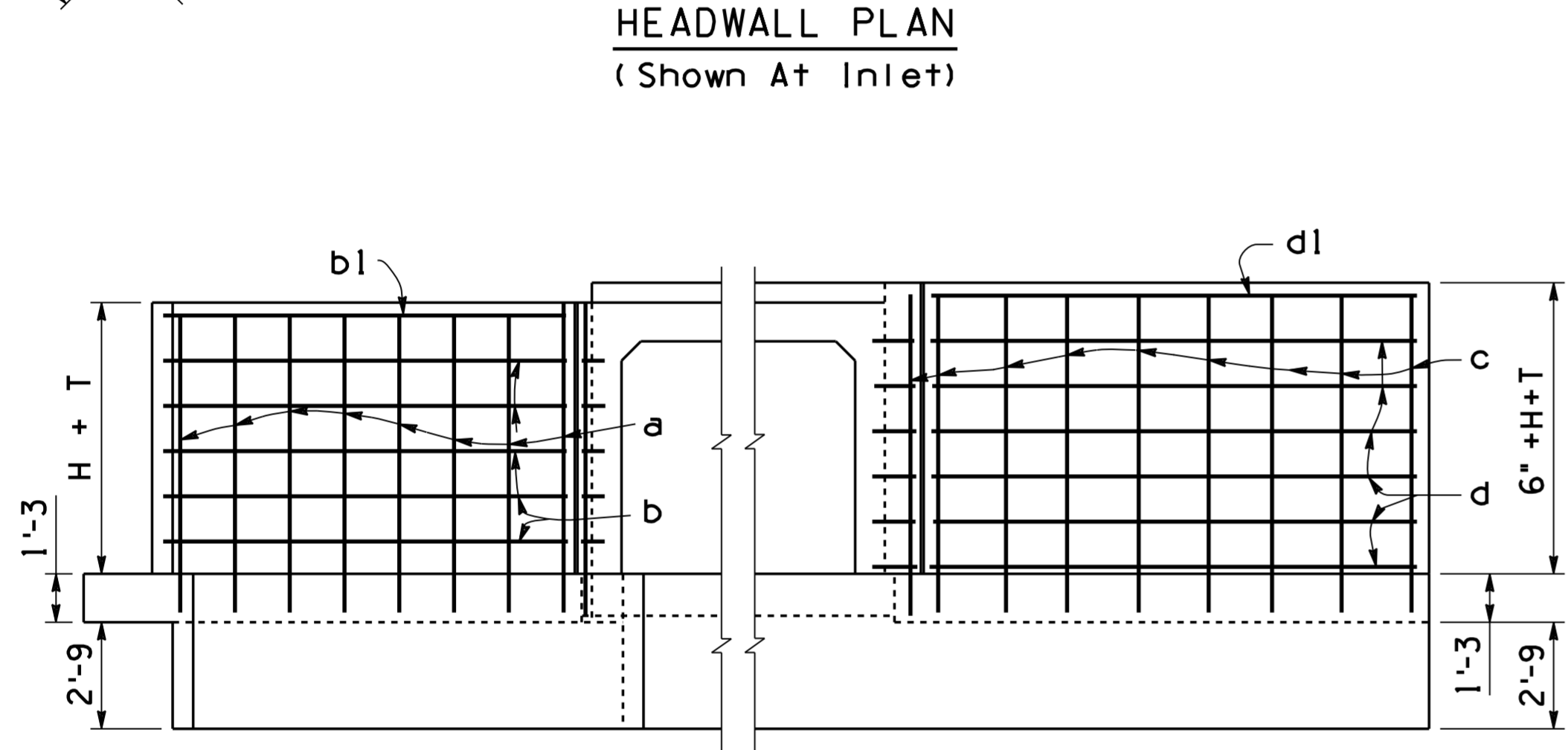


NOTE:
 For inlet SECTION C-C, see SD 6.01 (2 of 5).
 For outlet SECTION, see SD 6.01 (1 of 5).

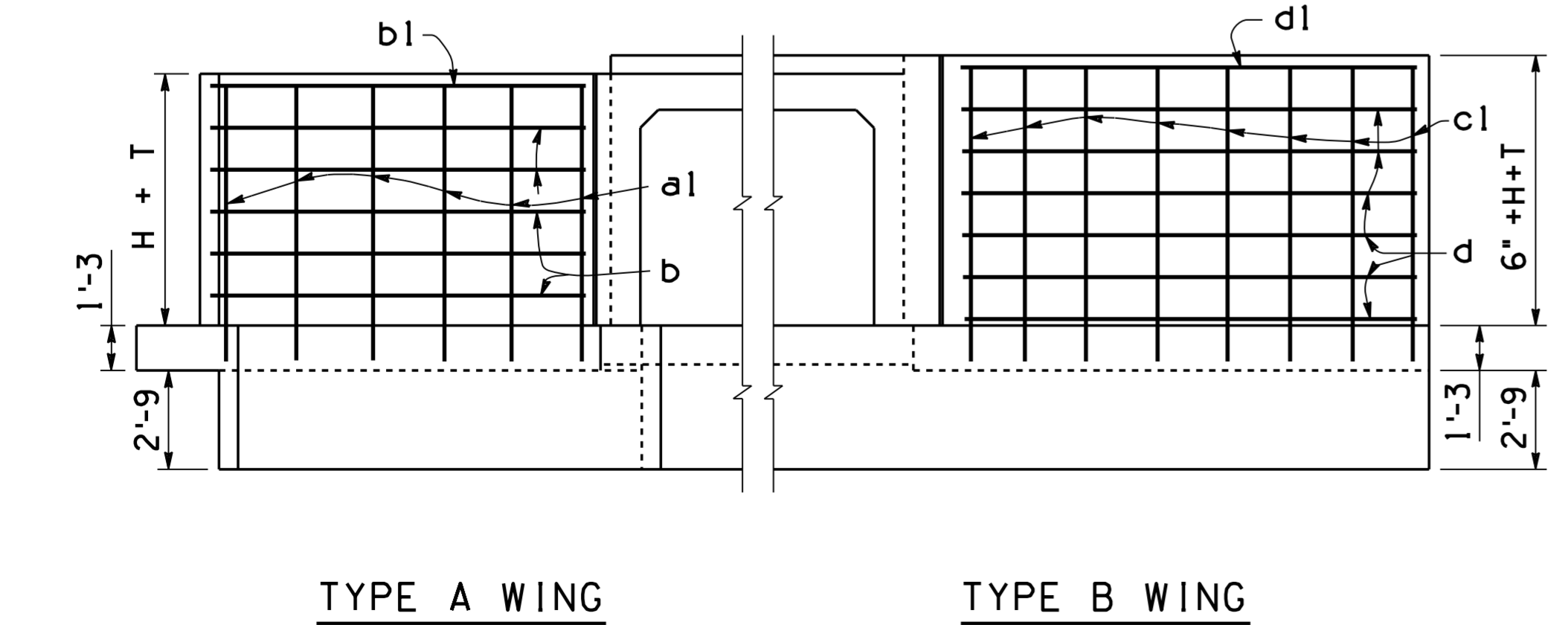
DIMENSIONS			
HEIGHT of OPENING	A	B	C
3'	1'-6"	3'-0"	1'-9"
4'	2'-0"	3'-6"	2'-6"
5'	2'-6"	4'-0"	3'-6"
6'	3'-0"	4'-6"	4'-3"
7'	3'-3"	4'-9"	4'-7"

CURB & CUT-OFF QUANTITIES PER EACH ADDITIONAL BARREL					
6' Spans		8' Spans		10' Spans	
Conc.	Steel	Conc.	Steel	Conc.	Steel
.859	76	1.114	103	1.370	130

WINGS STEEL LIST (L=H+2)																
Mark	Bend	3' Height			4' Height			5' Height			6' Height			7' Height		
		No.	Size	Length	No.	Size	Length	No.	Size	Length	No.	Size	Length	No.	Size	Length
TYPE A WING																
a	A	12	#5	5'-6"	14	#5	6'-6"	16	#5	7'-6"	18	#6	8'-6"	20	#7	9'-6"
al	str.	8	#4	4'-6"	8	#4	5'-6"	8	#4	6'-6"	10	#4	7'-6"	10	#4	8'-6"
b	str.	8	#4	4'-0"	12	#4	5'-0"	12	#4	6'-0"	16	#4	7'-0"	20	#4	8'-0"
bl	str.	4	#6	4'-0"	4	#6	5'-0"	4	#6	6'-0"	4	#6	7'-0"	4	#6	8'-0"
b2	B	6	#4	2'-3"	8	#4	2'-3"	8	#4	2'-3"	10	#4	2'-3"	12	#4	2'-3"
e	str.	12	#5	2'-6"	14	#5	3'-0"	16	#5	3'-6"	18	#5	4'-0"	20	#5	4'-3"
g	B	2	#4	6'-9"	2	#4	7'-9"	4	#4	8'-9"	4	#4	9'-9"	4	#4	10'-9"
m	str.	8	#4	5'-0"	8	#4	6'-0"	10	#4	7'-0"	10	#4	8'-0"	10	#4	9'-0"
TYPE B WING																
c	A	12	#5	6'-0"	14	#5	7'-0"	16	#5	8'-0"	18	#6	9'-0"	20	#7	10'-0"
cl	str.	8	#4	5'-0"	8	#4	6'-0"	8	#4	7'-0"	10	#4	8'-0"	10	#4	9'-0"
d	str.	8	#4	4'-0"	12	#4	5'-0"	12	#4	6'-0"	16	#4	7'-0"	20	#4	8'-0"
dl	str.	4	#6	4'-0"	4	#6	5'-0"	4	#6	6'-0"	4	#6	7'-0"	4	#6	8'-0"
d2	D	6	#4	2'-3"	8	#4	2'-3"	8	#4	2'-3"	10	#4	2'-3"	12	#4	2'-3"
f	str.	10	#5	2'-6"	12	#5	3'-0"	14	#5	3'-6"	16	#5	4'-0"	18	#5	4'-3"
gl	str.	2	#4	6'-3"	2	#4	7'-3"	4	#4	8'-3"	4	#4	9'-3"	4	#4	10'-3"
n	str.	8	#4	5'-0"	8	#4	6'-0"	10	#4	7'-0"	10	#4	8'-0"	10	#4	9'-0"

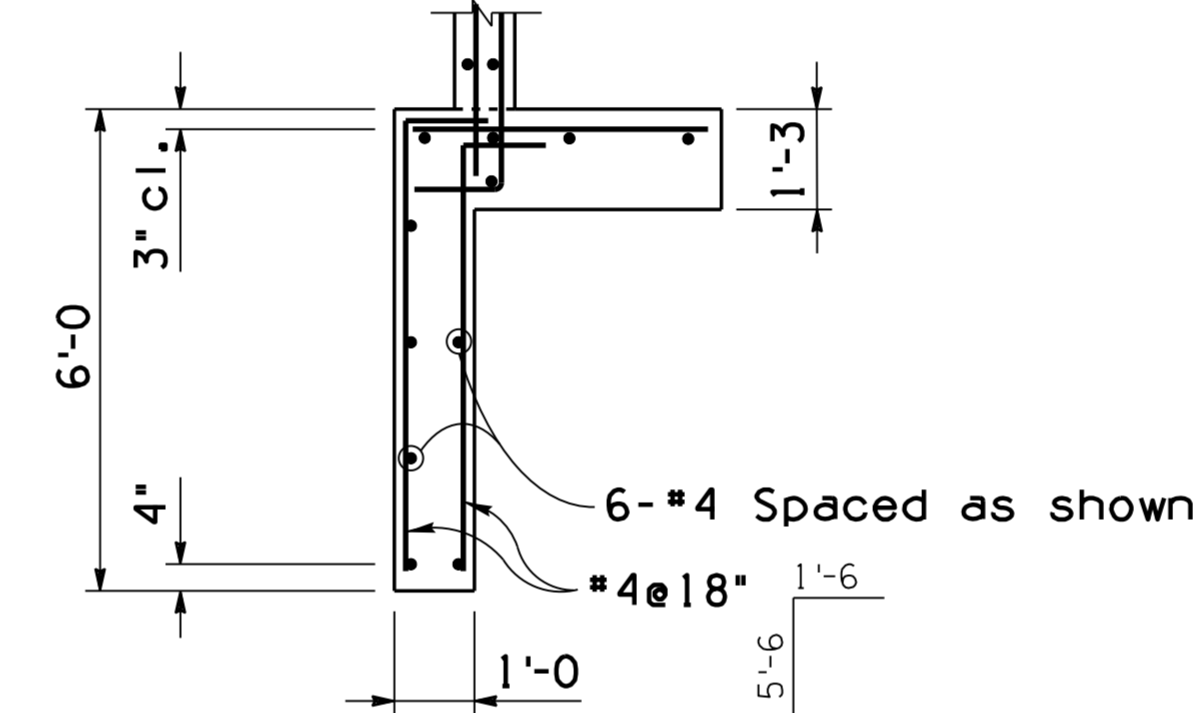


ELEVATION (Back Face Reinf.)
 (Shown At Inlet)

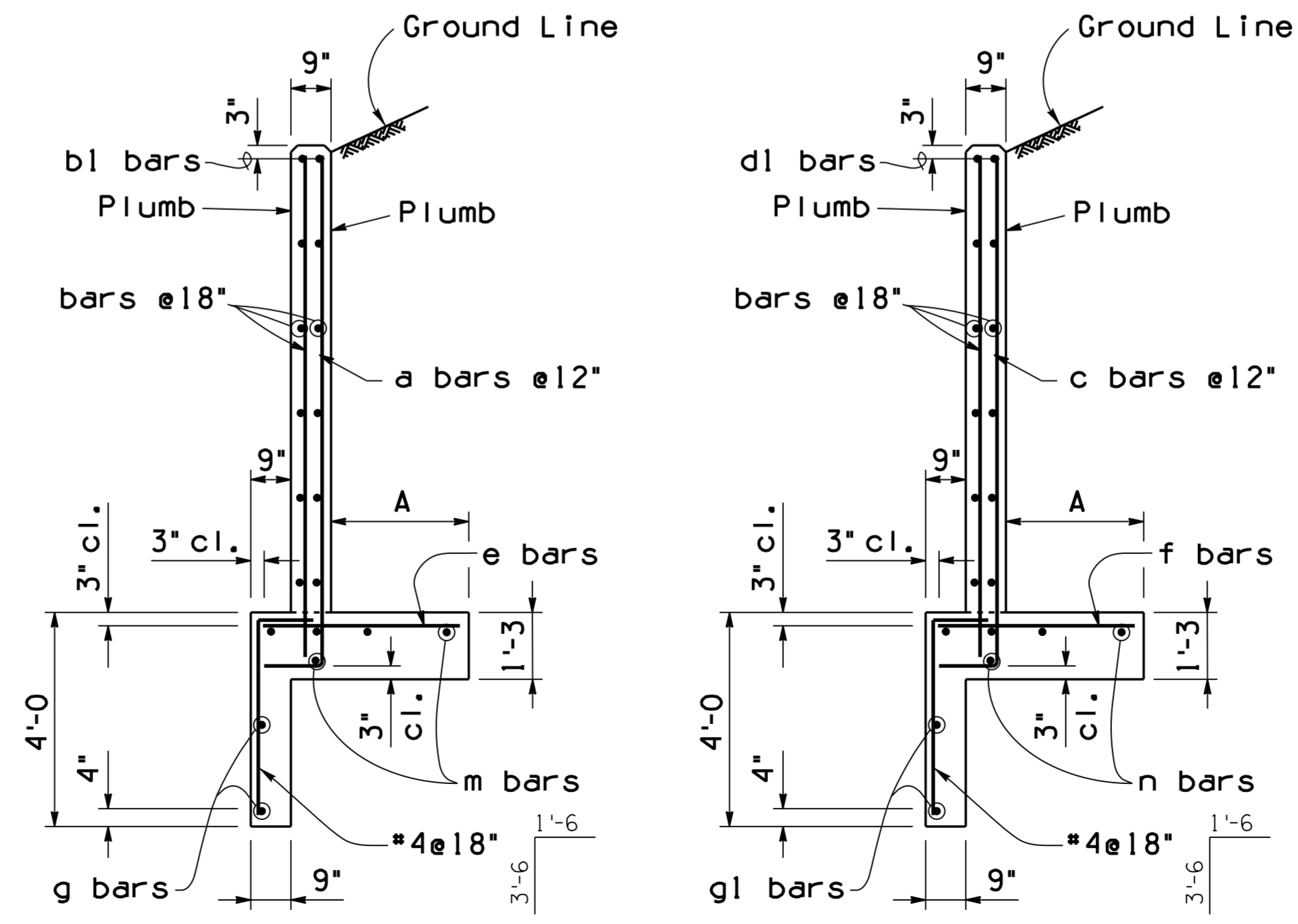


ELEVATION (Front Face Reinf.)
 (Shown At Inlet)

For details not shown, see SECTION A-A or SECTION B-B.



OUTLET CUT-OFF WALL DETAIL

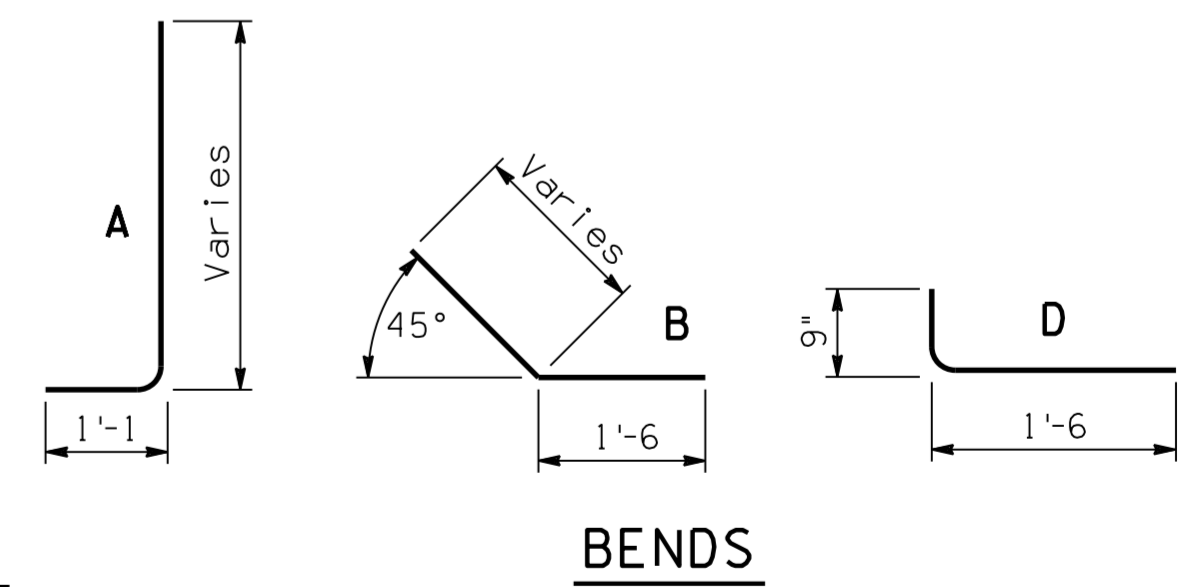


SECTION A-A

SECTION B-B

APPROXIMATE HEADWALL QUANTITIES*									
Span	Height	Hdwl. Type A Wings				Hdwl. Type B Wings			
		For L:H+2'		Per each Add Ft		For L:H+2'		Per each Add Ft	
		Conc.	Steel	Conc.	Steel	Conc.	Steel	Conc.	Steel
6'	3'	4.18	297	0.3146	19	4.32	308	0.3310	20
	4'	5.52	375	0.3655	23	5.60	382	0.3819	23
	5'	7.07	456	0.4164	25	7.07	467	0.4329	26
	6'	8.86	636	0.4673	33	8.75	652	0.4838	34
8'	3'	4.47	319	0.3157	19	4.61	336	0.3322	20
	4'	5.80	397	0.3666	23	5.88	409	0.3831	23
	5'	7.35	477	0.4176	25	7.37	494	0.4340	26
	6'	9.14	658	0.4685	33	9.04	679	0.4849	34
10'	3'	4.81	344	0.3180	19	4.94	368	0.3345	20
	4'	6.13	423	0.3640	23	6.21	441	0.3854	23
	5'	7.66	503	0.4210	25	7.69	527	0.4375	26
	6'	9.46	683	0.4731	33	9.39	712	0.4896	34
	7'	11.19	911	0.5125	41	11.09	946	0.5290	43

* Includes curb and cut-off wall quantities for a single barrel.



NOTE:
 For General Notes, Dimensions, and additional Details, see SD 6.01 (1 & 2 of 5).

DESIGN APPROVED <i>Celina Aman</i>		ARIZONA DEPARTMENT OF TRANSPORTATION INFRASTRUCTURE DELIVERY AND OPERATIONS DIVISION BRIDGE GROUP STRUCTURE DETAIL	
APPROVED FOR DISTRIBUTION <i>[Signature]</i>		REINFORCED CONCRETE BOX CULVERTS INLET OR OUTLET - LEVEL WINGS CULVERT HEIGHT 3' to 7'	
ROUTE	PROJECT NO.	FA NO.	DRAWING NO. SD 6.10 (1 of 2)
LOCATION			SHEET NO. OF