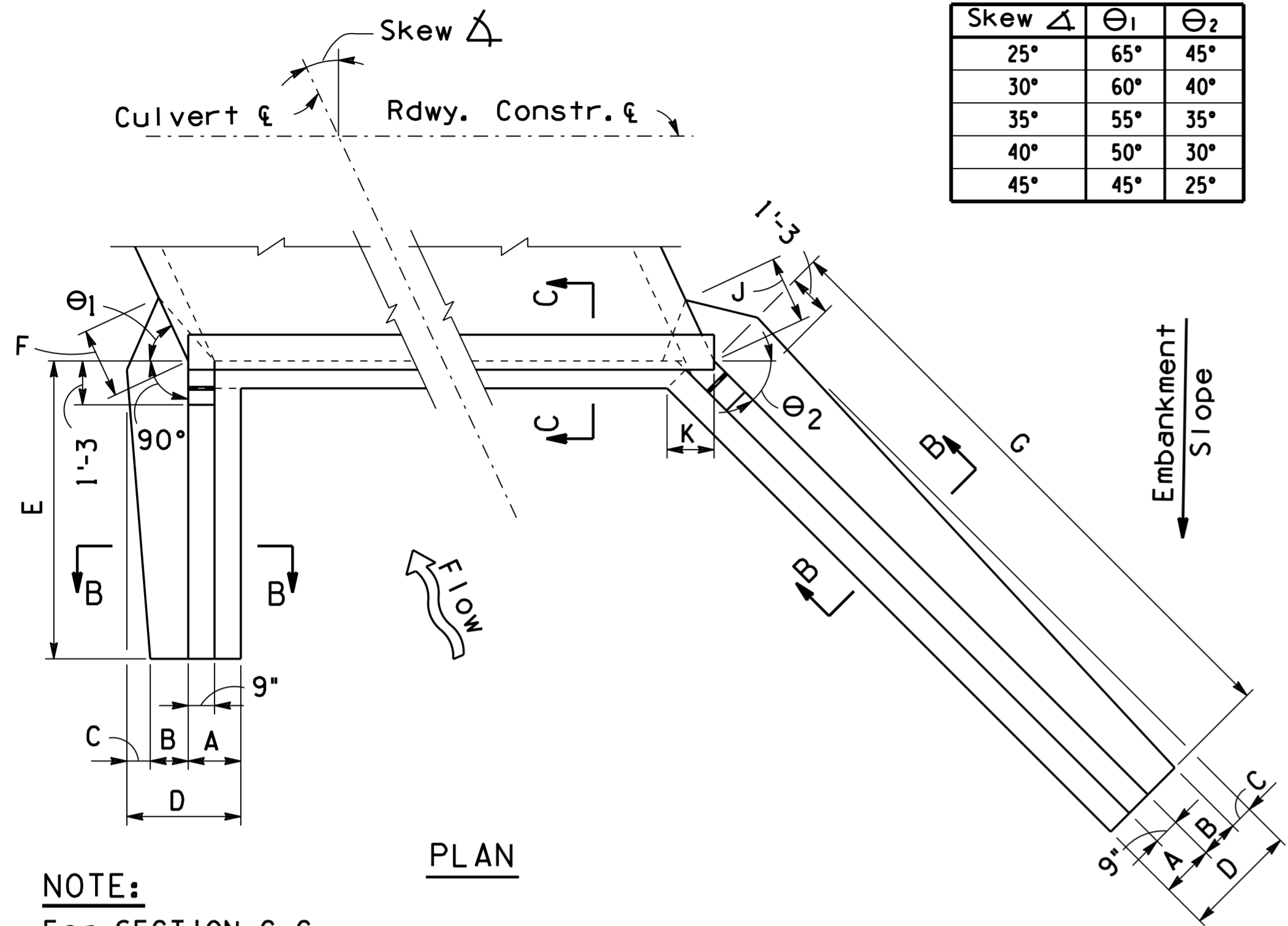


Note to Designer: The information presented in this Standard Detail has been prepared in accordance with recognized engineering principles and is for general use. It should not be used for specific application without competent professional examination and verification of its suitability and applicability by a licensed professional engineer. Contents within the inner border line shall not be altered.

NO.	DESCRIPTION OF REVISIONS	DATE	MADE BY
1	Original Issue	2-12	S.J.H.
2	Added 3' height for existing box extensions only	5-15	D.B.B.
3			
4			



Skew Δ	Θ_1	Θ_2
25°	65°	45°
30°	60°	40°
35°	55°	35°
40°	50°	30°
45°	45°	25°

NOTE:
For SECTION C-C, see SD 6.01 (2 of 5).

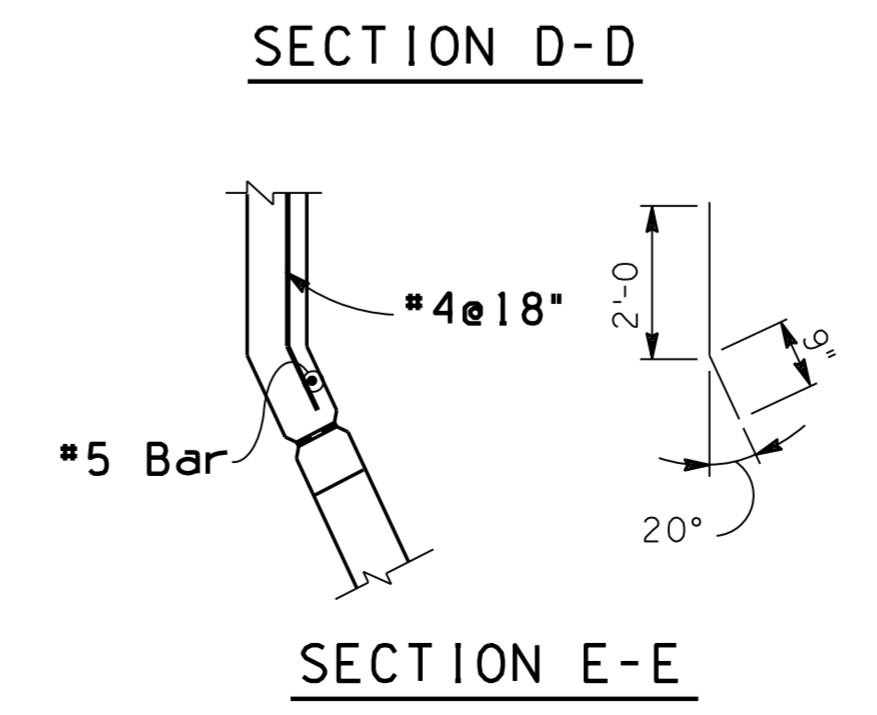
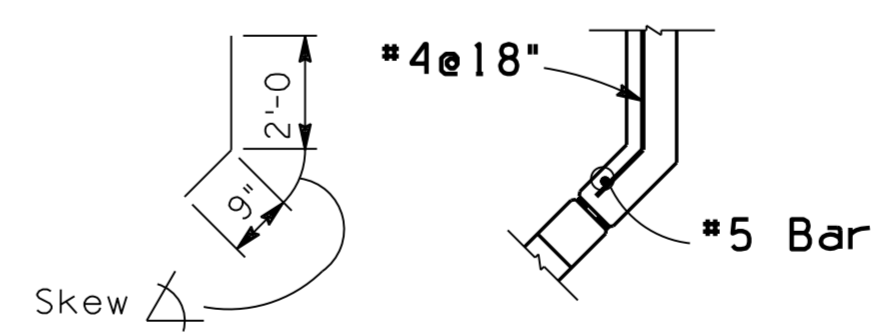
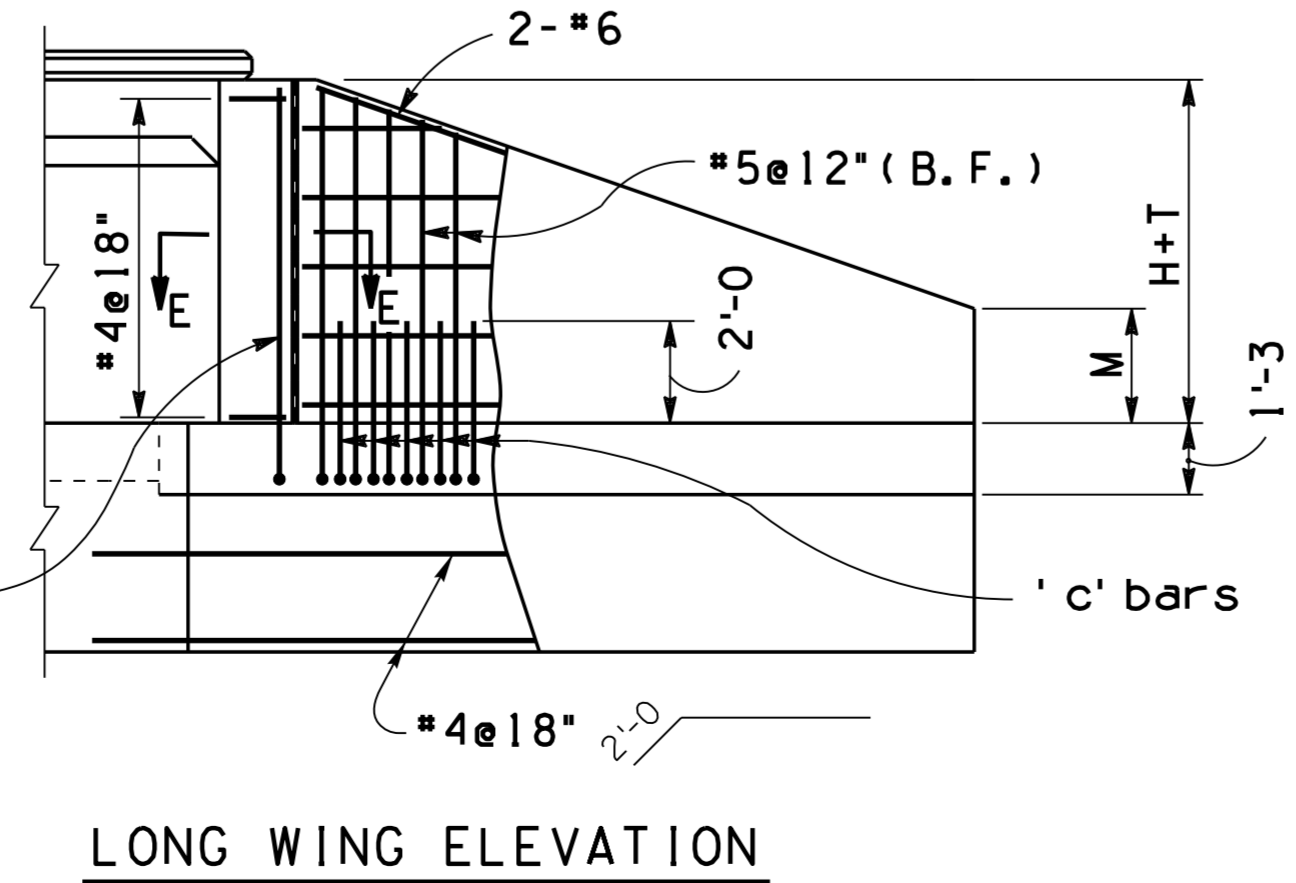
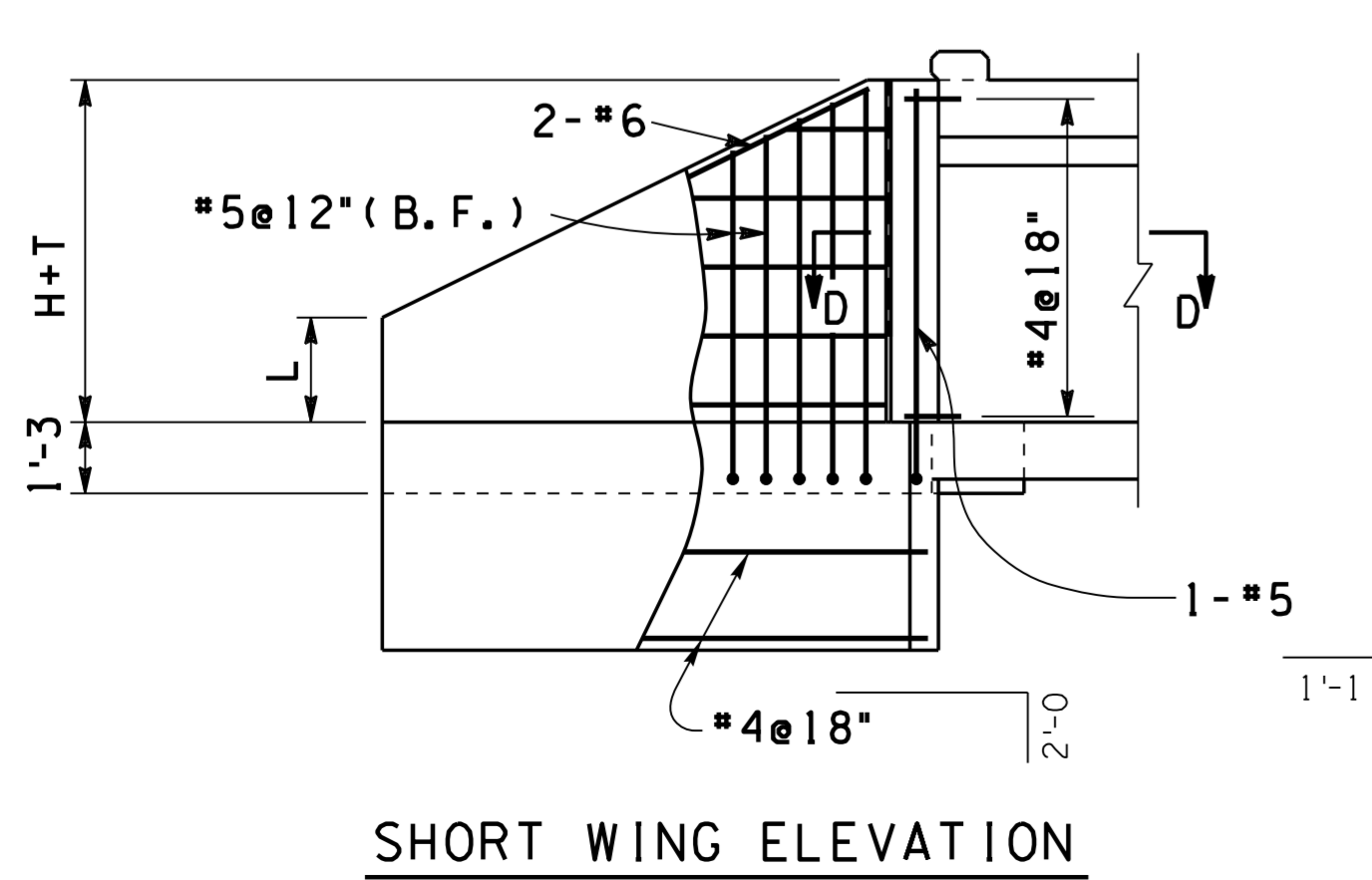
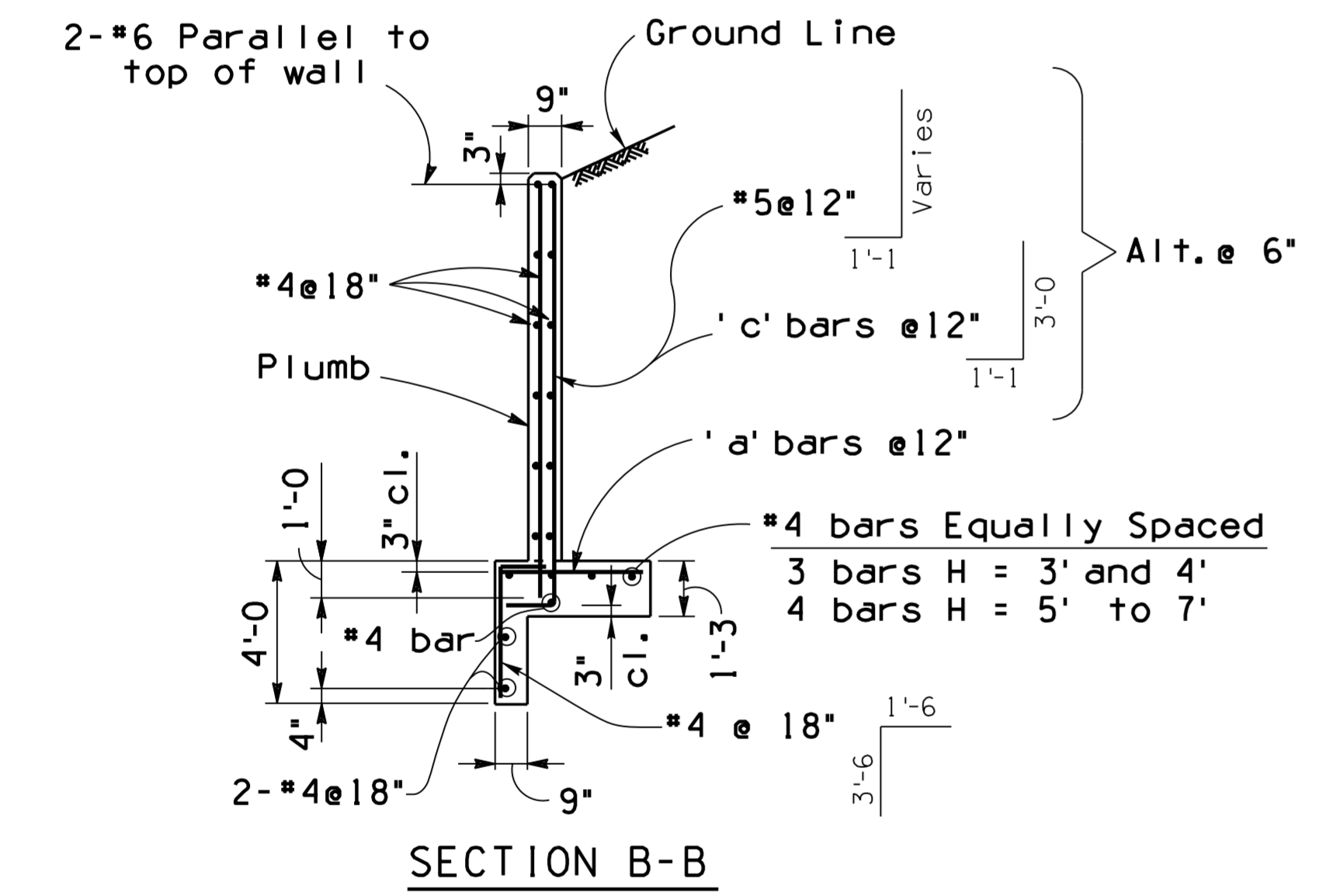
Skew Δ	25°					30°					35°					40°					45°										
	3'	4'	5'	6'	7'	3'	4'	5'	6'	7'	3'	4'	5'	6'	7'	3'	4'	5'	6'	7'	3'	4'	5'	6'	7'						
2 : 1 Slope	Dimensions																														
	A	1'-6"	1'-6"	1'-6"	1'-6"	1'-6"	1'-6"	1'-6"	1'-6"	1'-6"	1'-6"	1'-6"	1'-6"	1'-6"	1'-6"	1'-6"	1'-6"	1'-6"	1'-6"	1'-6"	1'-6"	1'-6"	1'-6"	1'-6"	1'-6"	1'-6"	1'-6"	1'-6"	1'-6"	1'-6"	1'-6"
	B	9"	1'-0"	1'-1"	1'-2"	1'-3"	9"	1'-0"	1'-1"	1'-2"	1'-3"	9"	1'-0"	1'-1"	1'-2"	1'-3"	9"	1'-0"	1'-1"	1'-2"	1'-3"	9"	1'-0"	1'-1"	1'-2"	1'-3"	9"	1'-0"	1'-1"	1'-2"	1'-3"
	C	6"	9"	1'-3"	1'-8"	2'-1"	7"	10"	1'-3"	1'-9"	2'-2"	7"	11"	1'-4"	1'-10"	2'-3"	8"	1'-0"	1'-1"	1'-5"	1'-10"	8"	1'-0"	1'-1"	1'-5"	1'-10"	8"	1'-0"	1'-1"	1'-5"	1'-10"
	D	2'-9"	3'-3"	3'-10"	4'-4"	4'-10"	2'-10"	3'-4"	3'-10"	4'-5"	4'-11"	2'-10"	3'-5"	3'-11"	4'-6"	5'-0"	2'-11"	3'-5"	4'-0"	4'-6"	5'-1"	2'-11"	3'-6"	4'-1"	4'-7"	5'-2"	2'-11"	3'-6"	4'-1"	4'-7"	5'-2"
	E	6'-0"	7'-6"	8'-6"	10'-0"	11'-6"	5'-6"	7'-0"	8'-0"	9'-6"	11'-0"	5'-6"	6'-6"	8'-0"	9'-0"	10'-6"	5'-0"	6'-6"	7'-6"	8'-6"	10'-0"	5'-0"	6'-0"	7'-0"	8'-6"	9'-6"	5'-0"	6'-0"	7'-0"	8'-6"	9'-6"
	F	1'-4"	2'-0"	2'-9"	3'-5"	4'-1"	1'-6"	2'-2"	2'-11"	3'-8"	4'-4"	1'-7"	2'-4"	3'-1"	3'-10"	4'-7"	1'-8"	2'-5"	3'-3"	3'-11"	4'-9"	1'-8"	2'-6"	3'-4"	4'-1"	4'-10"	1'-8"	2'-6"	3'-4"	4'-1"	4'-10"
	G	8'-0"	10'-0"	11'-6"	13'-6"	15'-6"	8'-6"	10'-6"	12'-6"	14'-6"	16'-6"	9'-0"	11'-0"	13'-6"	15'-6"	17'-6"	10'-0"	12'-0"	14'-6"	17'-0"	19'-6"	10'-6"	13'-6"	16'-0"	18'-6"	21'-0"	10'-6"	13'-6"	16'-0"	18'-6"	21'-0"
	J	1'-3"	1'-11"	2'-8"	3'-4"	4'-0"	1'-5"	2'-0"	2'-8"	3'-5"	4'-1"	1'-5"	2'-2"	2'-9"	3'-6"	4'-2"	1'-6"	2'-2"	2'-11"	3'-6"	4'-3"	1'-6"	2'-3"	3'-0"	3'-8"	4'-5"	1'-6"	2'-3"	3'-0"	3'-8"	4'-5"
	K	1'-4 1/2"	1'-4 1/2"	1'-4 1/2"	1'-4 1/2"	1'-4 1/2"	1'-5 1/4"	1'-5 1/4"	1'-5 1/4"	1'-5 1/4"	1'-5 1/4"	1'-6 1/2"	1'-6 1/2"	1'-6 1/2"	1'-6 1/2"	1'-6 1/2"	1'-8 3/8"	1'-8 3/8"	1'-8 3/8"	1'-8 3/8"	1'-8 3/8"	1'-11 1/4"	1'-11 1/4"	1'-11 1/4"	1'-11 1/4"	1'-11 1/4"	1'-11 1/4"	1'-11 1/4"	1'-11 1/4"	1'-11 1/4"	1'-11 1/4"
	L	1'-1"	1'-4"	1'-10"	2'-1"	2'-4"	1'-4"	1'-7"	2'-1"	2'-4"	2'-7"	1'-4"	1'-10"	2'-1"	2'-7"	2'-10"	1'-7"	1'-10"	2'-4"	2'-10"	3'-1"	1'-7"	2'-1"	2'-7"	2'-10"	3'-4"	1'-7"	2'-1"	2'-7"	2'-10"	3'-4"
	M	1'-3"	1'-6"	2'-0"	2'-3"	2'-7"	1'-4"	1'-8"	2'-1"	2'-5"	2'-9"	1'-6"	1'-11"	2'-2"	2'-7"	3'-1"	1'-7"	2'-1"	2'-5"	2'-10"	3'-2"	1'-10"	2'-3"	2'-8"	3'-2"	3'-8"	1'-10"	2'-3"	2'-8"	3'-2"	3'-8"

Skew Δ	25°					30°					35°					40°					45°										
	3'	4'	5'	6'	7'	3'	4'	5'	6'	7'	3'	4'	5'	6'	7'	3'	4'	5'	6'	7'	3'	4'	5'	6'	7'						
4 : 1 Slope	Dimensions																														
	A	1'-6"	1'-6"	1'-6"	1'-6"	1'-6"	1'-6"	1'-6"	1'-6"	1'-6"	1'-6"	1'-6"	1'-6"	1'-6"	1'-6"	1'-6"	1'-6"	1'-6"	1'-6"	1'-6"	1'-6"	1'-6"	1'-6"	1'-6"	1'-6"	1'-6"	1'-6"	1'-6"	1'-6"	1'-6"	1'-6"
	B	9"	1'-0"	1'-1"	1'-2"	1'-3"	9"	1'-0"	1'-1"	1'-2"	1'-3"	9"	1'-0"	1'-1"	1'-2"	1'-3"	9"	1'-0"	1'-1"	1'-2"	1'-3"	9"	1'-0"	1'-1"	1'-2"	1'-3"	9"	1'-0"	1'-1"	1'-2"	1'-3"
	C	4"	7"	1'-0"	1'-5"	1'-10"	4"	7"	1'-0"	1'-5"	1'-10"	4"	7"	1'-0"	1'-5"	1'-10"	4"	7"	1'-0"	1'-5"	1'-9"	4"	7"	1'-0"	1'-5"	1'-7"	4"	7"	1'-0"	1'-5"	1'-7"
	D	2'-7"	3'-1"	3'-7"	4'-1"	4'-7"	2'-7"	3'-1"	3'-7"	4'-1"	4'-7"	2'-7"	3'-1"	3'-7"	4'-1"	4'-7"	2'-7"	3'-1"	3'-7"	4'-1"	4'-7"	2'-7"	3'-1"	3'-7"	4'-1"	4'-8"	2'-7"	3'-1"	3'-7"	4'-2"	4'-8"
	E	9'-0"	11'-0"	13'-6"	15'-6"	17'-6"	8'-6"	10'-6"	12'-6"	14'-6"	16'-6"	7'-6"	9'-6"	11'-6"	13'-6"	15'-0"	7'-0"	9'-0"	10'-6"	12'-6"	14'-0"	7'-0"	8'-6"	10'-0"	12'-0"	13'-6"	7'-0"	8'-6"	10'-0"	12'-0"	13'-6"
	F	1'-2"	1'-10"	2'-5"	3'-1"	3'-9"	1'-2"	1'-10"	2'-6"	3'-3"	3'-11"	1'-2"	1'-11"	2'-7"	3'-3"	4'-0"	1'-3"	1'-11"	2'-7"	3'-4"	4'-0"	1'-3"	1'-11"	2'-8"	3'-6"	4'-2"	1'-3"	1'-11"	2'-8"	3'-6"	4'-2"
	G	12'-0"	14'-6"	17'-6"	20'-6"	23'-6"	12'-6"	15'-6"	18'-6"	21'-6"	24'-6"	13'-0"	16'-0"	19'-6"	22'-6"	25'-6"	14'-0"	17'-0"	20'-6"	24'-0"	27'-6"	15'-0"	18'-6"	22'-0"	25'-6"	29'-0"	15'-0"	18'-6"	22'-0"	25'-6"	29'-0"
	J	1'-1"	1'-9"	2'-4"	3'-0"	3'-8"	1'-1"	1'-9"	2'-4"	3'-0"	3'-8"	1'-1"	1'-9"	2'-4"	3'-0"	3'-8"	1'-1"	1'-9"	2'-4"	3'-0"	3'-8"	1'-1"	1'-9"	2'-4"	3'-0"	3'-9"	1'-1"	1'-9"	2'-4"	3'-0"	3'-9"
	K	1'-4 1/2"	1'-4 1/2"	1'-4 1/2"	1'-4 1/2"	1'-4 1/2"	1'-5 1/4"	1'-5 1/4"	1'-5 1/4"	1'-5 1/4"	1'-5 1/4"	1'-6 1/2"	1'-6 1/2"	1'-6 1/2"	1'-6 1/2"	1'-6 1/2"	1'-8 3/8"	1'-8 3/8"	1'-8 3/8"	1'-8 3/8"	1'-8 3/8"	1'-11 1/4"	1'-11 1/4"	1'-11 1/4"	1'-11 1/4"	1'-11 1/4"	1'-11 1/4"	1'-11 1/4"	1'-11 1/4"	1'-11 1/4"	1'-11 1/4"
	L	1'-10"	2'-4"	2'-8"	3'-2"	3'-8"	1'-11"	2'-5"	2'-11"	3'-5"	3'-11"	2'-2"	2'-8"	3'-2"	3'-8"	4'-4"	2'-4"	2'-10"	3'-5"	3'-11"	4'-7"	2'-4"	2'-11"	3'-7"	4'-1"	4'-8"	2'-4"	2'-11"	3'-7"	4'-1"	4'-8"
	M	1'-11"	2'-6"	3'-0"	3'-5"	3'-11"	2'-1"	2'-7"	3'-1"	3'-7"	4'-2"	2'-2"	2'-9"	3'-3"	3'-10"	4'-5"	2'-4"	2'-11"	3'-6"	4'-1"	4'-8"	2'-6"	3'-1"	3'-9"	4'-4"	5'-0"	2'-6"	3'-1"	3'-9"	4'-4"	5'-0"

Skew Δ	25°					30°					35°					40°					45°										
	3'	4'	5'	6'	7'	3'	4'	5'	6'	7'	3'	4'	5'	6'	7'	3'	4'	5'	6'	7'	3'	4'	5'	6'	7'						
6 : 1 Slope	Dimensions																														
	A	1'-6"	1'-6"	1'-6"	1'-6"	1'-6"	1'-6"	1'-6"	1'-6"	1'-6"	1'-6"	1'-6"	1'-6"	1'-6"	1'-6"	1'-6"	1'-6"	1'-6"	1'-6"	1'-6"	1'-6"	1'-6"	1'-6"	1'-6"	1'-6"	1'-6"	1'-6"	1'-6"	1'-6"	1'-6"	1'-6"
	B	9"	1'-0"	1'-1"	1'-2"	1'-4"	9"	1'-0"	1'-1"	1'-2"	1'-6"	9"	1'-0"	1'-1"	1'-3"	1'-7"	9"	1'-0"	1'-1"	1'-4"	1'-8"	9"	1'-0"	1'-2"	1'-6"	1'-10"	9"	1'-0"	1'-2"	1'-6"	1'-10"
	C	3"	6"	11"	1'-4"	1'-8"	3"	6"	11"	1'-4"	1'-6"	3"	6"	11"	1'-3"	1'-5"	3"	6"	11"	1'-2"	1'-4"	3"	6"	10"	1'-0"	1'-2"	3"	6"	10"	1'-0"	1'-2"
	D	2'-6"	3'-0"	3'-6"	4'-0"	4'-6"	2'-6"	3'-0"	3'-6"	4'-0"	4'-6"	2'-6"	3'-0"	3'-6"	4'-0"	4'-6"	2'-6"	3'-0"	3'-6"	4'-0"	4'-6"	2'-6"	3'-0"	3'-6"	4'-0"	4'-6"	2'-6"	3'-0"	3'-6"	4'-0"	4'-6"
	E	11'-0"	13'-6"	16'-0"	19'-0"	21'-6"	10'-0"	12'-6"	14'-6"	17'-0"	19'-6"	9'-0"	11'-6"	13'-6"	15'-6"	18'-0"	8'-6"	10'-6"	12'-6"	14'-6"	16'-6"	8'-0"	10'-0"	12'-0"	13'-6"	15'-6"	8'-0"	10'-0"	12'-0"	13'-6"	15'-6"
	F	1'-0"	1'-8"	2'-4"	3'-0"	3'-8"	1'-1"	1'-9"	2'-5"	3'-1"	3'-9"	1'-1"	1'-9"	2'-6"	3'-2"	3'-10"	1'-1"	1'-10"	2'-6"	3'-3"	3'-11"	1'-1"	1'-10"	2'-6"	3'-3"	3'-11"	1'-1"	1'-10"	2'-6"	3'-3"	3'-11"
	G	14'-0"	17'-6"	21'-0"	24'-6"	28'-0"	14'-6"	18'-6"	22'-0"	25'-6"	29'-0"	15'-6"	19'-0"	23'-0"	26'-6"	30'-6"	16'-0"	20'-0"	24'-0"	28'-0"	32'-0"	17'-0"	21'-0"	25'-0"	29'-6"	33'-6"	17'-0"	21'-0"	25'-0"	29'-6"	33'-6"
	J	1'-0"	1'-7"	2'-3"	2'-11"	3'-6"	1'-0"	1'-7"	2'-3"	2'-11"	3'-6"	1'-0"	1'-7"	2'-3"	2'-11"	3'-6"	1'-0"	1'-7"	2'-3"	2'-11"	3'-6"	1'-0"	1'-7"	2'-3"	2'-11"	3'-6"	1'-0"	1'-7"	2'-3"	2'-11"	3'-6"
	K	1'-4 1/2"	1'-4 1/2"	1'-4 1/2"	1'-4 1/2"	1'-4 1/2"	1'-5 1/4"	1'-5 1/4"	1'-5 1/4"	1'-5 1/4"	1'-5 1/4"	1'-6 1/2"	1'-6 1/2"	1'-6 1/2"	1'-6 1/2"	1'-6 1/2"	1'-8 3/8"	1'-8 3/8"	1'-8 3/8"	1'-8 3/8"	1'-8 3/8"	1'-11 1/4"	1'-11 1/4"	1'-11 1/4"	1'-11 1/4"	1'-11 1/4"	1'-11 1/4"	1'-11 1/4"	1'-11 1/4"	1'-11 1/4"	1'-11 1/4"
	L	2'-3"	2'-10"	3'-5"	3'-11"	4'-6"	2'-5"	3'-0"	3'-8"	4'-3"	4'-10"	2'-7"	3'-2"	3'-10"	4'-6"	5'-1"	2'-8"	3'-4"	4'-0"	4'-8"	5'-4"	2'-9"	3'-5"	4'-1"	4'-10"	5'-6"	2'-9"	3'-5"	4'-1"	4'-10"	5'-6"
	M	2'-5"	3'-0"	3'-7"	4'-2"	4'-9"	2'-6"	3'-1"	3'-8"	4'-4"	4'-11"	2'-7"	3'-3"	3'-10"	4'-6"	5'-2"	2'-9"	3'-5"	4'-1"	4'-9"	5'-5"	2'-10"	3'-7"	4'-4"	5'-0"	5'-8"	2'-10"	3'-7"	4'-4"	5'-0"	5'-8"

Skew Δ	'c' Bars Long Wingwall	
	2 : 1 Slope	4 : 1 Slope
25°	3 - #5	3 - #5
30°	3 - #5	3 - #5
35°	4 - #5	4 - #5
40°	4 - #5	4 - #5
45°	5 - #5	4 - #5

Height H	'a' Bars	
	Short Wing	Long Wing
3'	#4	#4
4'	#4	#4
5'	#4	#4
6'	#4	#5
7'	#4	#6



NOTE:
For General Notes, Dimensions, and additional Details, see SD 6.01 (2 of 5). For Headwall Quantities see SD 6.09 (1 to 3).

DESIGN APPROVED <i>Celina Aman</i>	ARIZONA DEPARTMENT OF TRANSPORTATION INFRASTRUCTURE DELIVERY AND OPERATIONS DIVISION BRIDGE GROUP STRUCTURE DETAIL	
APPROVED FOR DISTRIBUTION <i>[Signature]</i>	REINFORCED CONCRETE BOX CULVERTS INLET WINGS - SKEW 25° to 45° CULVERT HEIGHT 3' to 7'	
ROUTE	PROJECT NO.	FA NO.
LOCATION	DRAWING NO. SD 6.08 (7 of 8)	
		SHEET NO. OF