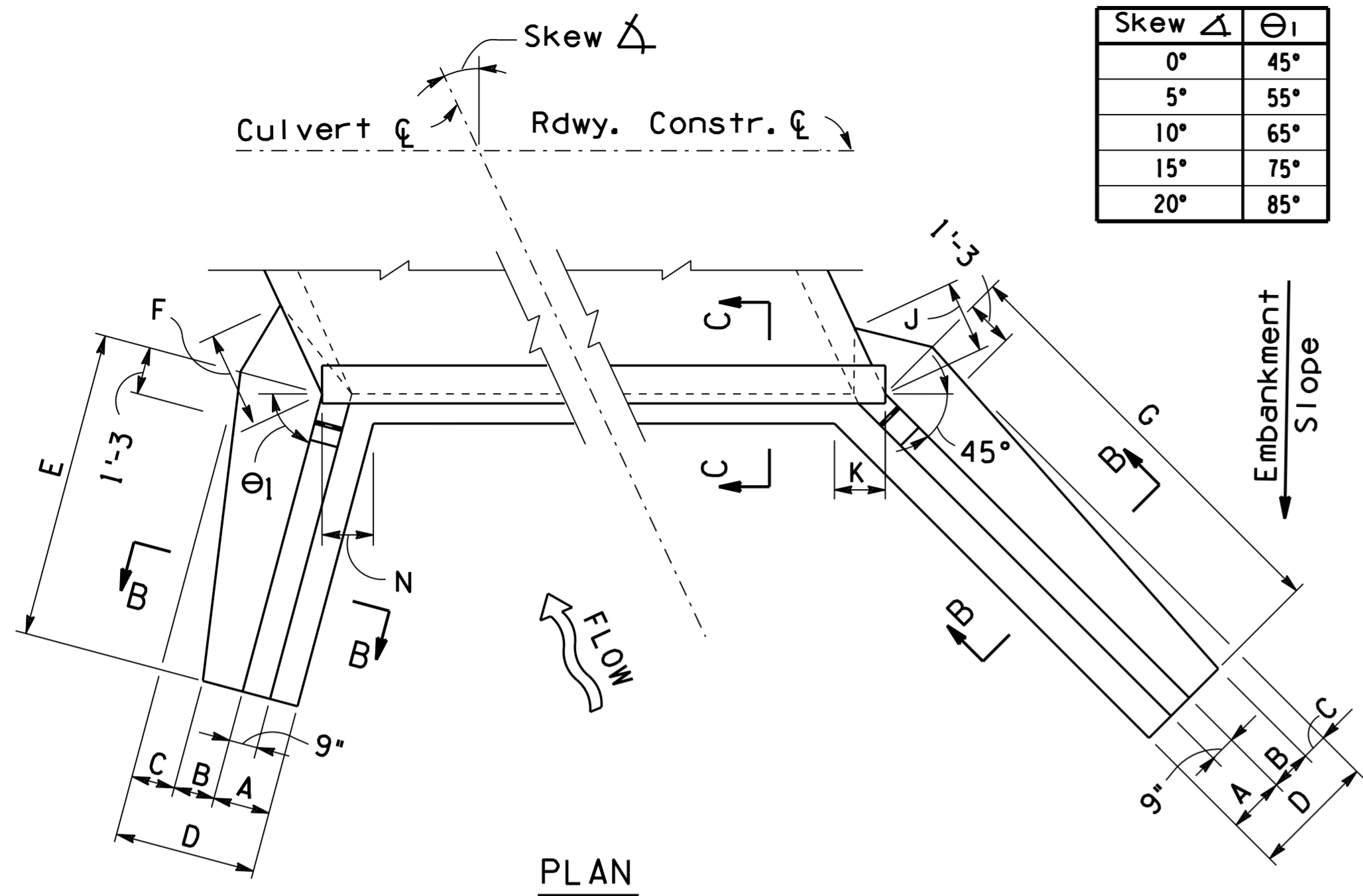


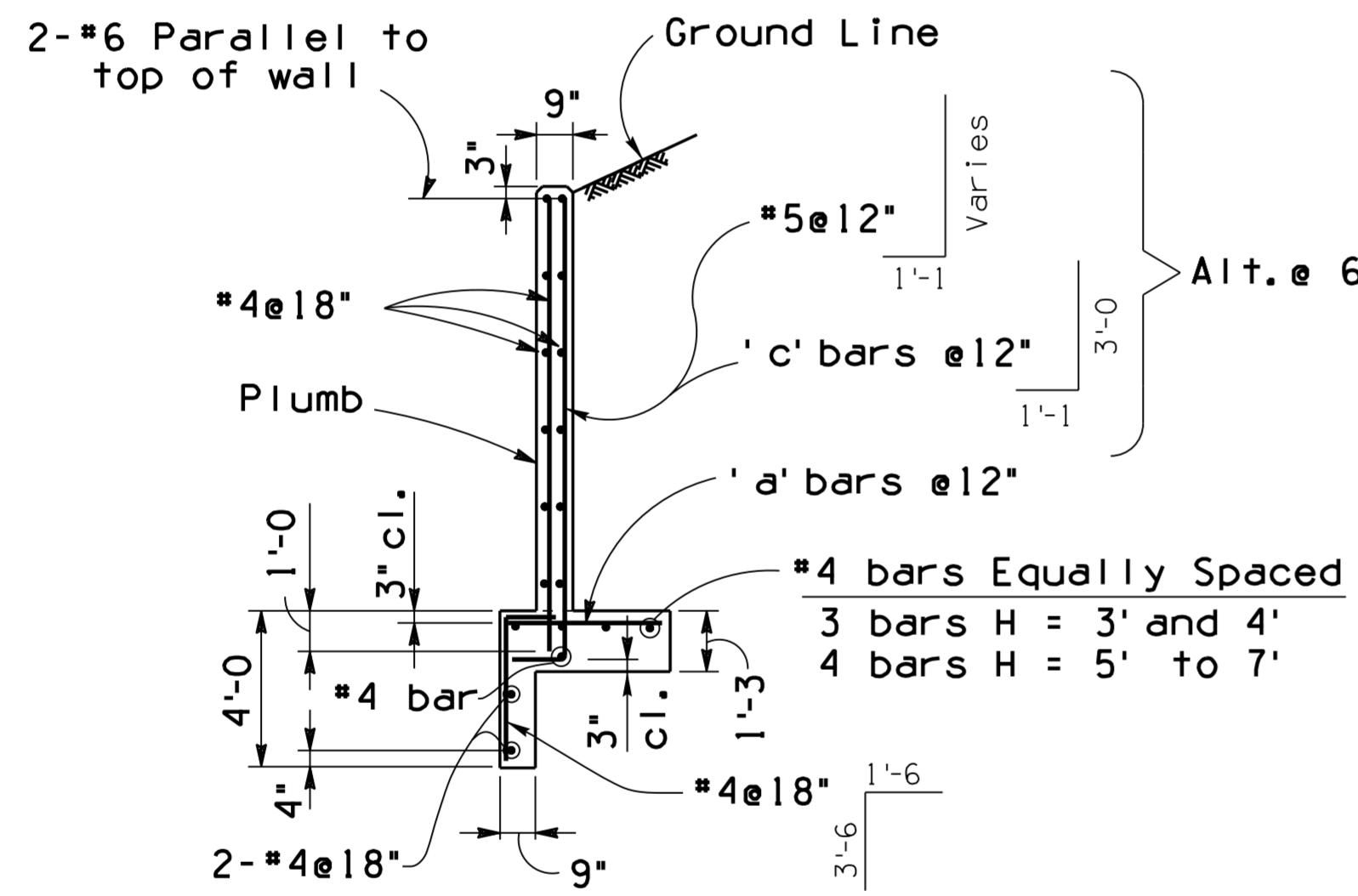
Note to Designer:  
 The information presented in this Standard Detail has been prepared in accordance with recognized engineering principles and is for general use. It should not be used for specific application without competent professional examination and verification of its suitability and applicability by a licensed professional engineer. Contents within the inner border line shall not be altered.

NO.	DESCRIPTION OF REVISIONS	MADE BY	DATE
1	Original Issue	S.J.H.	2-12
2	Added 3' height for existing box extensions only	D.B.B.	5-15
3			
4			

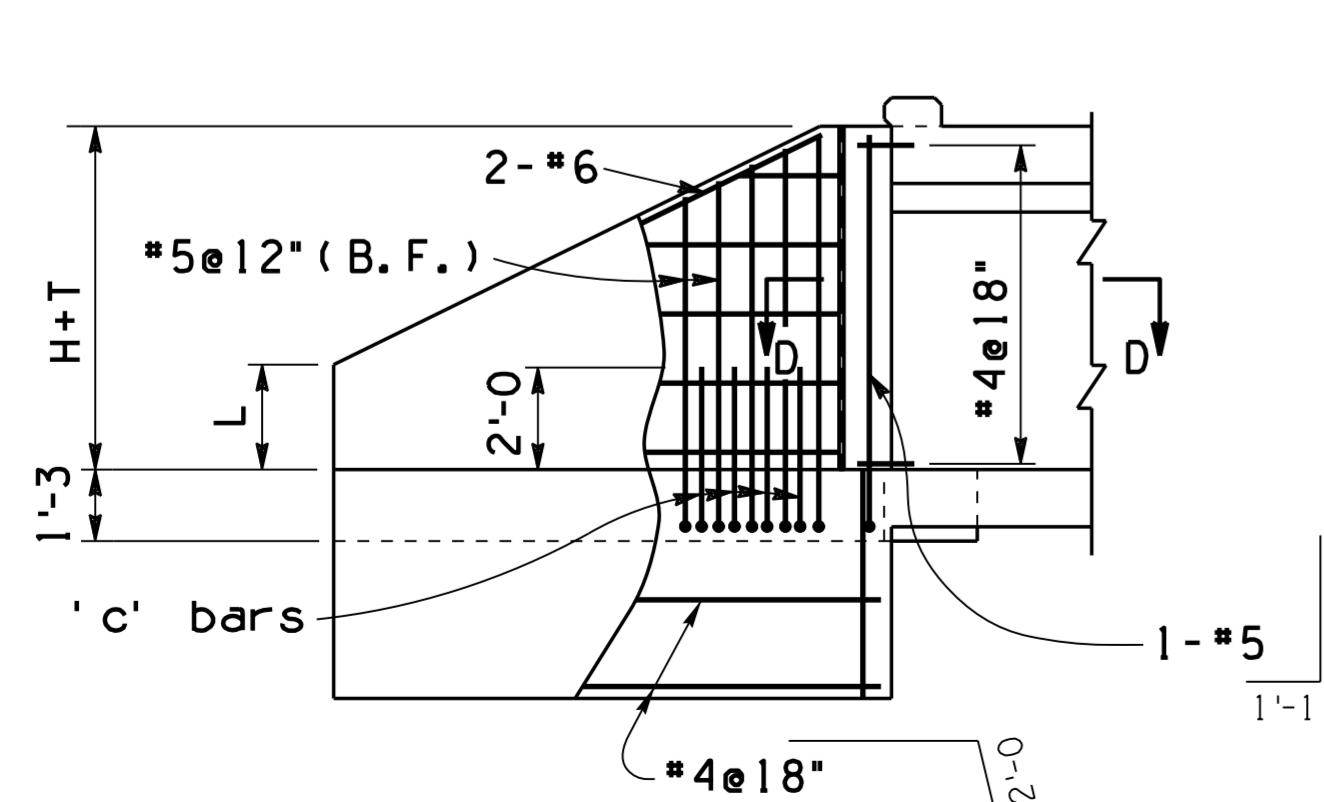


Skew $\Delta$	$\Theta_1$
0°	45°
5°	55°
10°	65°
15°	75°
20°	85°

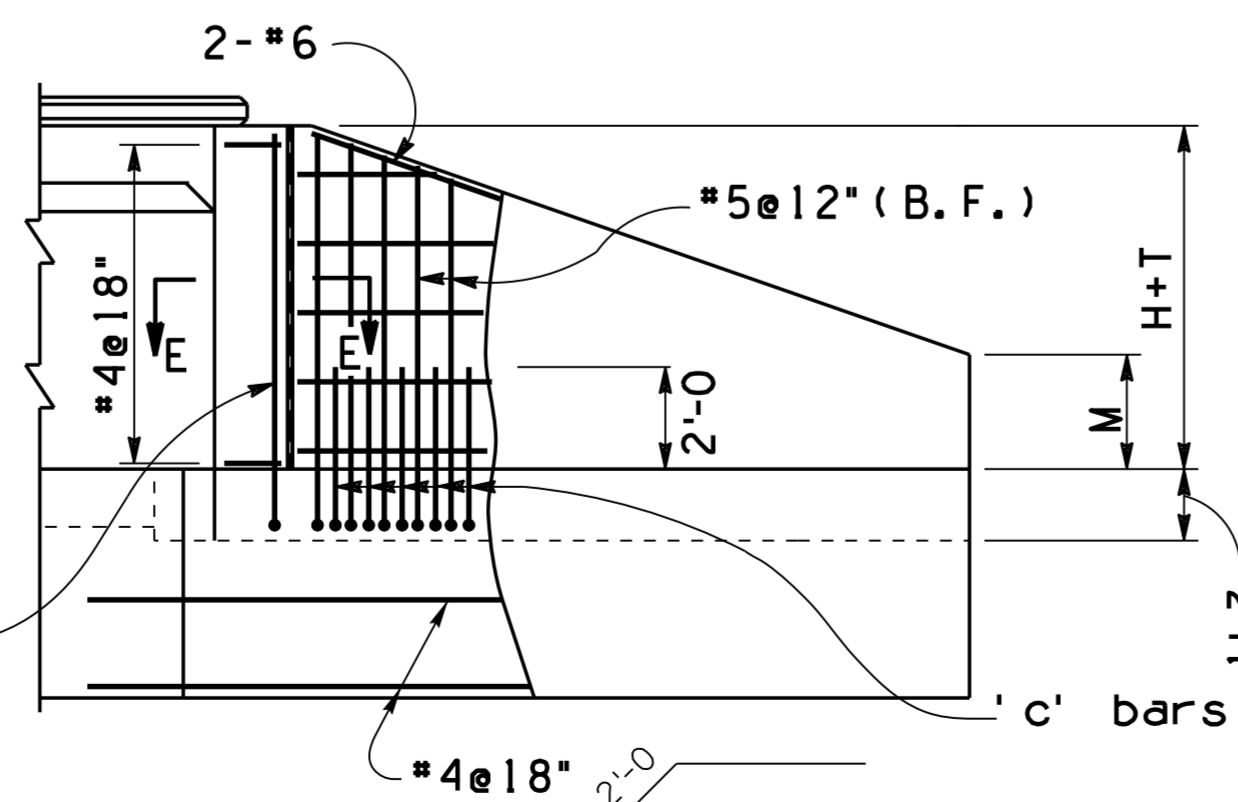
**NOTE:**  
 For SECTION C-C, see SD 6.01 (2 of 5).



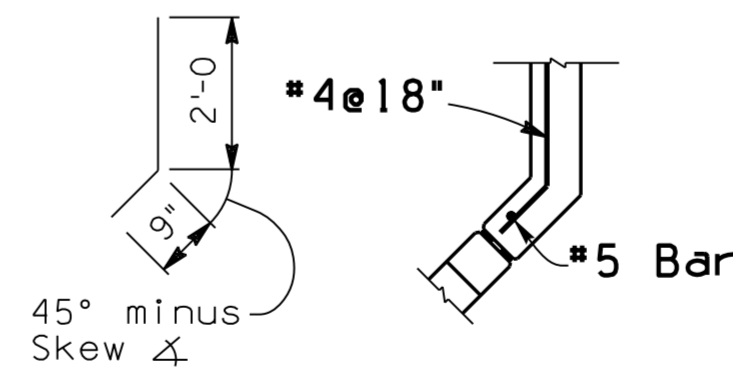
SECTION B-B



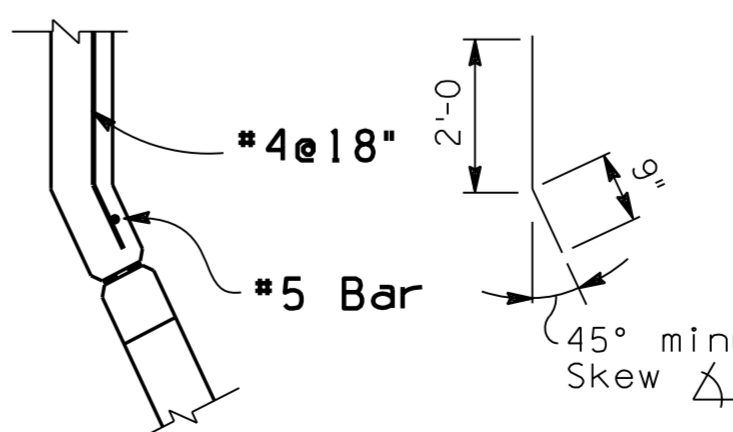
SHORT WING ELEVATION



LONG WING ELEVATION



SECTION D-D



SECTION E-E

Skew $\Delta$	0°					5°					10°					15°					20°					
	3'	4'	5'	6'	7'	3'	4'	5'	6'	7'	3'	4'	5'	6'	7'	3'	4'	5'	6'	7'	3'	4'	5'	6'	7'	
2 : 1 Slope	Dimensions																									
	A	1'-6"	1'-6"	1'-6"	1'-6"	1'-6"	1'-6"	1'-6"	1'-6"	1'-6"	1'-6"	1'-6"	1'-6"	1'-6"	1'-6"	1'-6"	1'-6"	1'-6"	1'-6"	1'-6"	1'-6"	1'-6"	1'-6"	1'-6"	1'-6"	1'-6"
	B	9"	1'-0"	1'-1"	1'-2"	1'-3"	9"	1'-0"	1'-1"	1'-2"	1'-3"	9"	1'-0"	1'-1"	1'-2"	1'-3"	9"	1'-0"	1'-1"	1'-2"	1'-3"	9"	1'-0"	1'-1"	1'-2"	1'-3"
	C	6"	9"	1'-3"	1'-8"	2'-1"	6"	9"	1'-3"	1'-8"	2'-1"	6"	9"	1'-3"	1'-8"	2'-1"	6"	9"	1'-3"	1'-8"	2'-1"	6"	9"	1'-3"	1'-8"	2'-1"
	D	2'-9"	3'-3"	3'-10"	4'-4"	4'-10"	2'-9"	3'-3"	3'-10"	4'-4"	4'-10"	2'-9"	3'-3"	3'-10"	4'-4"	4'-10"	2'-9"	3'-3"	3'-10"	4'-4"	4'-10"	2'-9"	3'-3"	3'-10"	4'-4"	4'-10"
	E	6'-0"	7'-6"	8'-6"	10'-0"	11'-6"	6'-0"	7'-6"	8'-6"	10'-0"	11'-6"	6'-0"	7'-6"	8'-6"	10'-0"	11'-6"	6'-0"	7'-6"	8'-6"	10'-0"	11'-6"	6'-0"	7'-6"	8'-6"	10'-0"	11'-6"
	F	1'-5"	2'-2"	3'-0"	3'-8"	4'-5"	1'-5"	2'-2"	3'-0"	3'-8"	4'-5"	1'-5"	2'-2"	2'-11"	3'-8"	4'-4"	1'-5"	2'-1"	2'-11"	3'-7"	4'-3"	1'-4"	2'-0"	2'-9"	3'-5"	4'-1"
	G	6'-0"	7'-6"	8'-6"	10'-0"	11'-6"	6'-0"	7'-6"	9'-6"	10'-6"	12'-0"	6'-6"	8'-0"	9'-6"	11'-0"	12'-6"	7'-0"	8'-6"	10'-0"	12'-0"	13'-6"	7'-6"	9'-0"	11'-0"	12'-6"	14'-6"
	J	1'-5"	2'-2"	3'-0"	3'-8"	4'-5"	1'-5"	2'-2"	3'-0"	3'-8"	4'-5"	1'-5"	2'-2"	2'-11"	3'-8"	4'-4"	1'-5"	2'-1"	2'-11"	3'-7"	4'-3"	1'-4"	2'-0"	2'-9"	3'-5"	4'-1"
	K	1'-4 1/2"	1'-4 1/2"	1'-4 1/2"	1'-4 1/2"	1'-4 1/2"	1'-4 1/2"	1'-4 1/2"	1'-4 1/2"	1'-4 1/2"	1'-4 1/2"	1'-4 1/2"	1'-4 1/2"	1'-4 1/2"	1'-4 1/2"	1'-4 1/2"	1'-4 1/2"	1'-4 1/2"	1'-4 1/2"	1'-4 1/2"	1'-4 1/2"	1'-4 1/2"	1'-4 1/2"	1'-4 1/2"	1'-4 1/2"	1'-4 1/2"
	L	1'-11"	2'-5"	3'-1"	3'-6"	4'-0"	1'-10"	2'-2"	2'-5"	3'-0"	3'-7"	1'-7"	1'-11"	2'-3"	2'-9"	3'-1"	1'-5"	1'-8"	1'-11"	2'-3"	2'-9"	1'-1"	1'-4"	1'-10"	2'-1"	2'-4"
	M	1'-11"	2'-5"	3'-1"	3'-6"	4'-0"	1'-11"	2'-5"	2'-11"	3'-4"	3'-10"	1'-9"	2'-3"	2'-8"	3'-2"	3'-8"	1'-7"	2'-1"	2'-6"	2'-10"	3'-3"	1'-5"	1'-11"	2'-2"	2'-8"	2'-11"
	N	1'-4 1/2"	1'-4 1/2"	1'-4 1/2"	1'-4 1/2"	1'-4 1/2"	1'-3 3/4"	1'-3 3/4"	1'-3 3/4"	1'-3 3/4"	1'-3 3/4"	1'-3 3/4"	1'-3 3/4"	1'-3 3/4"	1'-3 3/4"	1'-3 3/4"	1'-4 1/4"	1'-4 1/4"	1'-4 1/4"	1'-4 1/4"	1'-4 1/4"	1'-5 1/4"	1'-5 1/4"	1'-5 1/4"	1'-5 1/4"	1'-5 1/4"

Skew $\Delta$	0°					5°					10°					15°					20°					
	3'	4'	5'	6'	7'	3'	4'	5'	6'	7'	3'	4'	5'	6'	7'	3'	4'	5'	6'	7'	3'	4'	5'	6'	7'	
4 : 1 Slope	Dimensions																									
	A	1'-6"	1'-6"	1'-6"	1'-6"	1'-6"	1'-6"	1'-6"	1'-6"	1'-6"	1'-6"	1'-6"	1'-6"	1'-6"	1'-6"	1'-6"	1'-6"	1'-6"	1'-6"	1'-6"	1'-6"	1'-6"	1'-6"	1'-6"	1'-6"	1'-6"
	B	9"	1'-0"	1'-1"	1'-4"	1'-8"	9"	1'-0"	1'-1"	1'-3"	1'-7"	9"	1'-0"	1'-1"	1'-2"	1'-6"	9"	1'-0"	1'-1"	1'-2"	1'-5"	9"	1'-0"	1'-1"	1'-2"	1'-3"
	C	4"	7"	1'-0"	1'-3"	1'-5"	4"	7"	1'-0"	1'-4"	1'-6"	4"	7"	1'-0"	1'-5"	1'-7"	4"	7"	1'-0"	1'-5"	1'-8"	4"	7"	1'-0"	1'-5"	1'-10"
	D	2'-7"	3'-1"	3'-7"	4'-1"	4'-7"	2'-7"	3'-1"	3'-7"	4'-1"	4'-7"	2'-7"	3'-1"	3'-7"	4'-1"	4'-7"	2'-7"	3'-1"	3'-7"	4'-1"	4'-7"	2'-7"	3'-1"	3'-7"	4'-1"	4'-7"
	E	8'-0"	9'-6"	11'-6"	13'-6"	15'-6"	8'-0"	10'-0"	11'-6"	13'-6"	15'-6"	8'-0"	10'-0"	12'-0"	14'-0"	16'-0"	8'-6"	10'-6"	12'-6"	14'-6"	16'-6"	9'-0"	11'-0"	13'-6"	15'-6"	17'-6"
	F	1'-3"	1'-11"	2'-8"	3'-4"	4'-1"	1'-3"	1'-11"	2'-7"	3'-4"	4'-0"	1'-2"	1'-10"	2'-7"	3'-3"	4'-0"	1'-2"	1'-10"	2'-6"	3'-3"	3'-11"	1'-2"	1'-10"	2'-5"	3'-1"	3'-9"
	G	8'-0"	9'-6"	11'-6"	13'-6"	15'-6"	8'-6"	10'-6"	12'-6"	14'-6"	16'-6"	9'-0"	11'-0"	13'-0"	15'-6"	17'-6"	9'-6"	12'-0"	14'-6"	16'-6"	19'-0"	10'-6"	13'-0"	15'-6"	18'-6"	21'-0"
	J	1'-3"	1'-11"	2'-8"	3'-4"	4'-1"	1'-3"	1'-11"	2'-7"	3'-4"	4'-0"	1'-2"	1'-11"	2'-7"	3'-3"	4'-0"	1'-2"	1'-10"	2'-6"	3'-3"	3'-11"	1'-2"	1'-10"	2'-5"	3'-1"	3'-9"
	K	1'-4 1/2"	1'-4 1/2"	1'-4 1/2"	1'-4 1/2"	1'-4 1/2"	1'-4 1/2"	1'-4 1/2"	1'-4 1/2"	1'-4 1/2"	1'-4 1/2"	1'-4 1/2"	1'-4 1/2"	1'-4 1/2"	1'-4 1/2"	1'-4 1/2"	1'-4 1/2"	1'-4 1/2"	1'-4 1/2"	1'-4 1/2"	1'-4 1/2"	1'-4 1/2"	1'-4 1/2"	1'-4 1/2"	1'-4 1/2"	1'-4 1/2"
	L	2'-8"	3'-5"	4'-0"	4'-8"	5'-4"	2'-5"	3'-0"	3'-8"	4'-4"	4'-11"	2'-3"	2'-10"	3'-4"	3'-11"	4'-5"	2'-0"	2'-6"	3'-1"	3'-7"	4'-1"	1'-10"	2'-4"	2'-8"	3'-2"	3'-8"
	M	2'-8"	3'-5"	4'-0"	4'-8"	5'-4"	2'-7"	3'-2"	3'-10"	4'-6"	5'-2"	2'-6"	3'-1"	3'-9"	4'-4"	5'-0"	2'-5"	2'-11"	3'-6"	4'-2"	4'-8"	2'-2"	2'-9"	3'-4"	3'-10"	4'-4"
	N	1'-4 1/2"	1'-4 1/2"	1'-4 1/2"	1'-4 1/2"	1'-4 1/2"	1'-3 3/4"	1'-3 3/4"	1'-3 3/4"	1'-3 3/4"	1'-3 3/4"	1'-3 3/4"	1'-3 3/4"	1'-3 3/4"	1'-3 3/4"	1'-3 3/4"	1'-4 1/4"	1'-4 1/4"	1'-4 1/4"	1'-4 1/4"	1'-4 1/4"	1'-5 1/4"	1'-5 1/4"	1'-5 1/4"	1'-5 1/4"	1'-5 1/4"

Skew $\Delta$	0°					5°					10°					15°					20°					
	3'	4'	5'	6'	7'	3'	4'	5'	6'	7'	3'	4'	5'	6'	7'	3'	4'	5'	6'	7'	3'	4'	5'	6'	7'	
6 : 1 Slope	Dimensions																									
	A	1'-6"	1'-6"	1'-6"	1'-6"	1'-6"	1'-6"	1'-6"	1'-6"	1'-6"	1'-6"	1'-6"	1'-6"	1'-6"	1'-6"	1'-6"	1'-6"	1'-6"	1'-6"	1'-6"	1'-6"	1'-6"	1'-6"	1'-6"	1'-6"	1'-6"
	B	9"	1'-0"	1'-3"	1'-7"	2'-0"	9"	1'-0"	1'-2"	1'-7"	1'-11"	9"	1'-0"	1'-1"	1'-6"	1'-10"	9"	1'-0"	1'-1"	1'-4"	1'-8"	9"	1'-0"	1'-1"	1'-3"	1'-7"
	C	3"	6"	9"	11"	1'-0"	3"	6"	10"	11"	1'-1"	3"	6"	11"	1'-0"	1'-2"	3"	6"	11"	1'-2"	1'-4"	3"	6"	11"	1'-3"	1'-5"
	D	2'-6"	3'-0"	3'-6"	4'-0"	4'-6"	2'-6"	3'-0"	3'-6"	4'-0"	4'-6"	2'-6"	3'-0"	3'-6"	4'-0"	4'-6"	2'-6"	3'-0"	3'-6"	4'-0"	4'-6"	2'-6"	3'-0"	3'-6"	4'-0"	4'-6"
	E	8'-6"	11'-0"	13'-0"	15'-0"	17'-0"	9'-0"	11'-0"	13'-6"	15'-6"	17'-6"	9'-6"	11'-6"	14'-0"	16'-6"	18'-6"	10'-0"	12'-6"	15'-0"	17'-6"	19'-6"	11'-0"	13'-6"	16'-0"	19'-0"	21'-6"
	F	1'-1"	1'-10"	2'-6"	3'-3"	3'-11"	1'-1"	1'-10"	2'-6"	3'-3"	3'-11"	1'-1"	1'-9"	2'-6"	3'-2"	3'-10"	1'-1"	1'-9"	2'-5"	3'-1"	3'-9"	1'-0"	1'-8"	2'-4"	3'-0"	3'-8"
	G	8'-6"	11'-0"	13'-0"	15'-0"	17'-0"	9'-6"	11'-6"	14'-0"	16'-0"	18'-6"	10'-0"	12'-6"	15'-0"	17'-6"	20'-0"	11'-0"	14'-0"	16'-6"	19'-6"	22'-0"	12'-6"	15'-6"	18'-6"	21'-6"	24'-6"
	J	1'-1"	1'-10"	2'-6"	3'-3"	3'-11"	1'-1"	1'-10"	2'-6"	3'-3"	3'-11"	1'-1"	1'-9"	2'-6"	3'-2"	3'-10"	1'-1"	1'-9"	2'-5"	3'-1"	3'-9"	1'-0"	1'-8"	2'-4"	3'-0"	3'-8"
	K	1'-4 1/2"	1'-4 1/2"	1'-4 1/2"	1'-4 1/2"	1'-4 1/2"	1'-4 1/2"	1'-4 1/2"	1'-4 1/2"	1'-4 1/2"	1'-4 1/2"	1'-4 1/2"	1'-4 1/2"	1'-4 1/2"	1'-4 1/2"	1'-4 1/2"	1'-4 1/2"	1'-4 1/2"	1'-4 1/2"	1'-4 1/2"	1'-4 1/2"	1'-4 1/2"	1'-4 1/2"	1'-4 1/2"	1'-4 1/2"	1'-4 1/2"
	L	3'-1"	3'-9"	4'-6"	5'-4"	6'-1"	2'-10"	3'-7"	4'-3"	4'-11"	5'-8"	2'-8"	3'-4"	3'-11"	4'-7"	5'-3"	2'-5"	3'-1"	3'-8"	4'-3"	4'-11"	2'-3"	2'-10"	3'-5"	3'-11"	4'-6"
	M	3'-1"	3'-9"	4'-6"	5'-4"	6'-1"	2'-11"	3'-8"	4'-5"	5'-2"	5'-11"	2'-11"	3'-7"	4'-4"	5'-0"	5'-8"	2'-9"	3'-5"	4'-1"	4'-9"	5'-6"	2'-7"	3'-3"	3'-11"	4'-6"	5'-2"
	N	1'-4 1/2"	1'-4 1/2"	1'-4 1/2"	1'-4 1/2"	1'-4 1/2"	1'-3 3/4"	1'-3 3/4"	1'-3 3/4"	1'-3 3/4"	1'-3 3/4"	1'-3 3/4"	1'-3 3/4"	1'-3 3/4"	1'-3 3/4"	1'-3 3/4"	1'-4 1/4"	1'-4 1/4"	1'-4 1/4"	1'-4 1/4"	1'-4 1/4"	1'-5 1/4"	1'-5 1/4"	1'-5 1/4"	1'-5 1/4"	1'-5 1/4"

Height H	Slope	'c' bars	
		Short Wing	Long Wing
7'	0° to 10°	3 - #5	3 - #5
	15° to 20°	5 - #5	5 - #5

Height H	'a' bars	
	Short Wing	Long Wing
3'	4	4
4'	4	4
5'	4	4
6'	5	4
7'	6	4

**NOTE:**  
 For General Notes, Dimensions, and additional Details, see SD 6.01 (2 of 5). For Headwall Quantities see SD 6.09 (1 to 3).

DESIGN APPROVED	ARIZONA DEPARTMENT OF TRANSPORTATION INFRASTRUCTURE DELIVERY AND OPERATIONS DIVISION BRIDGE GROUP STRUCTURE DETAIL		
APPROVED FOR DISTRIBUTION	REINFORCED CONCRETE BOX CULVERTS INLET WINGS - SKEW 0° to 20° CULVERT HEIGHT 3' to 7'		
ROUTE	PROJECT NO.	FA NO.	DRAWING NO. SD 6.08 (3 of 8)
LOCATION	SHEET NO.		OF