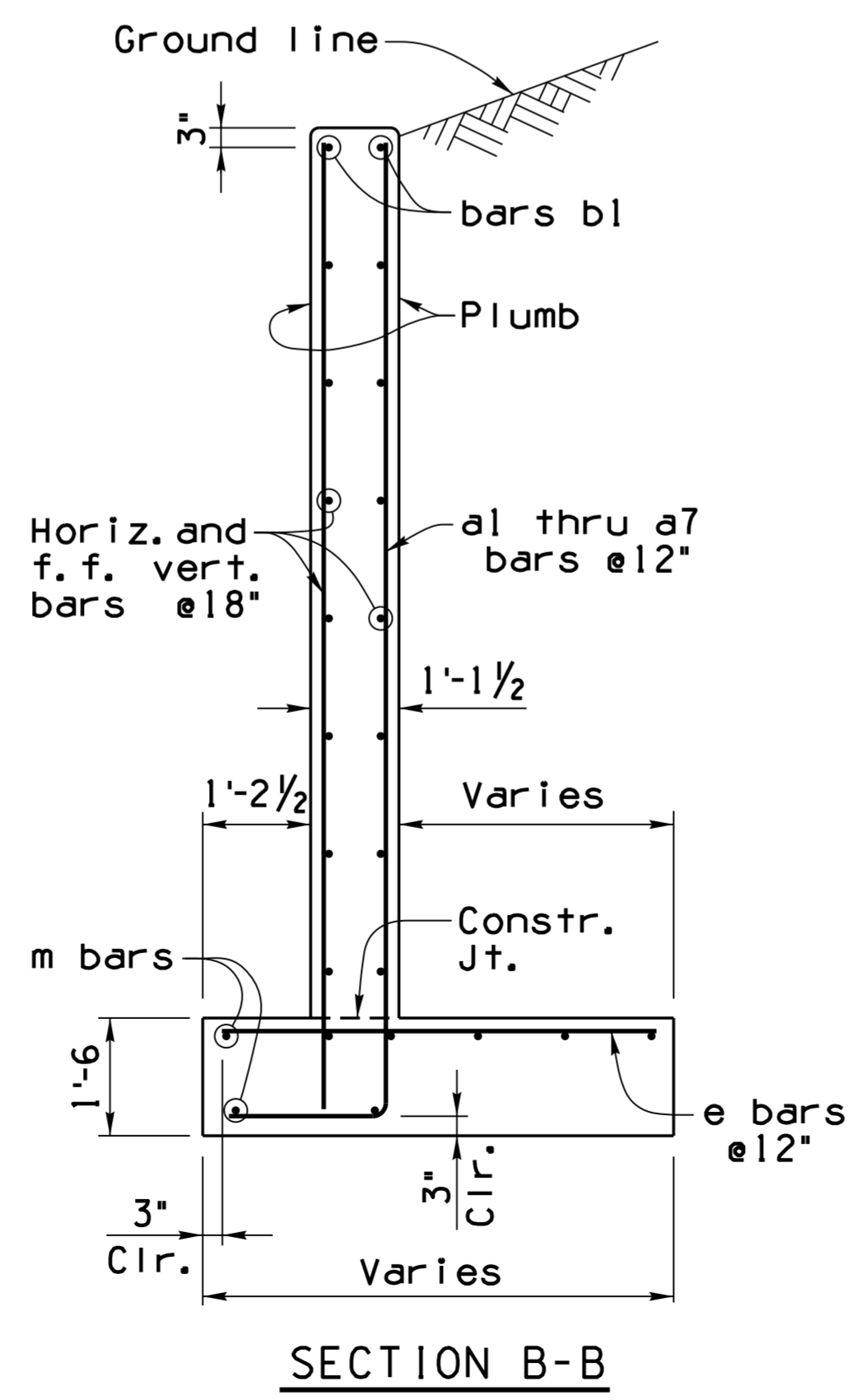
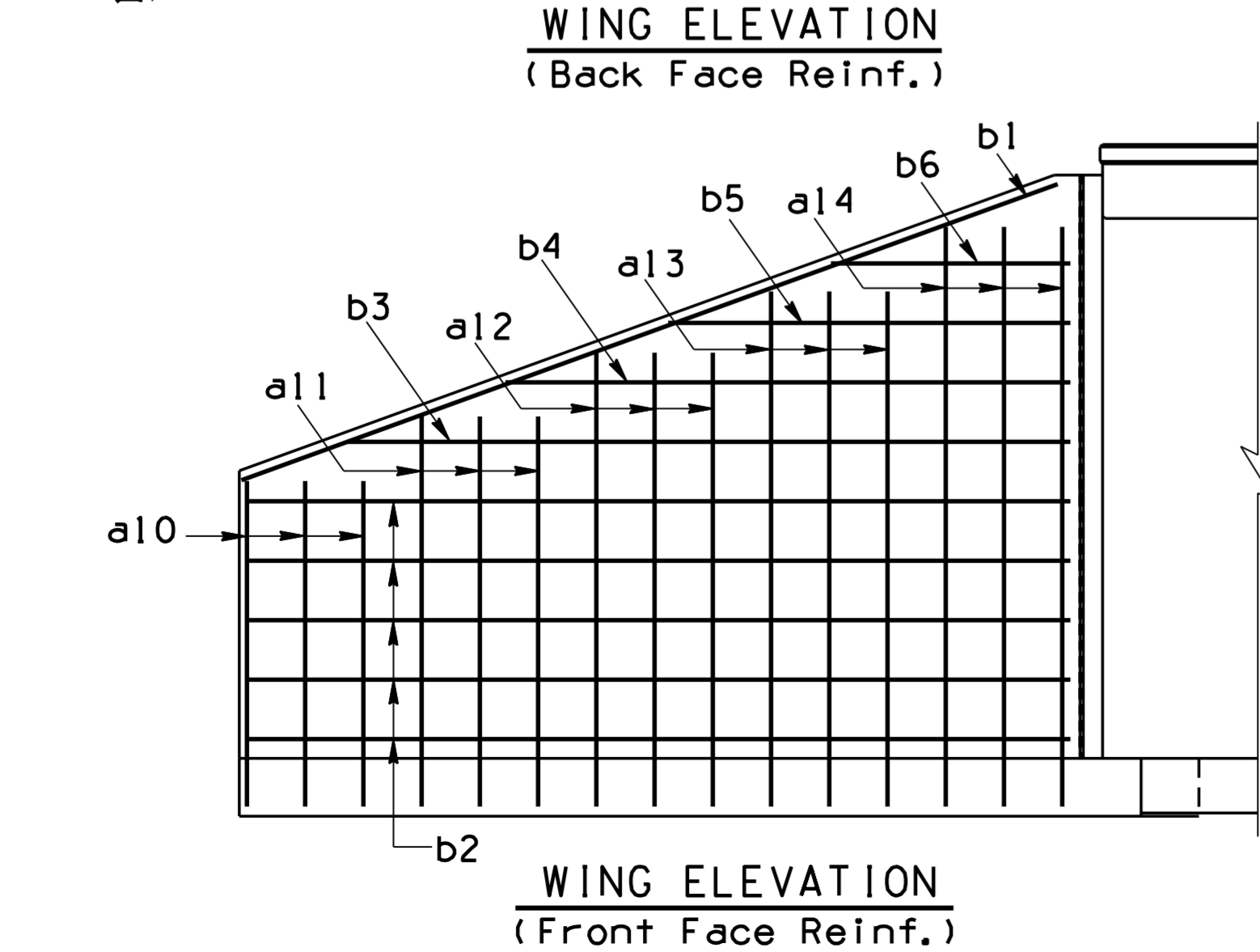
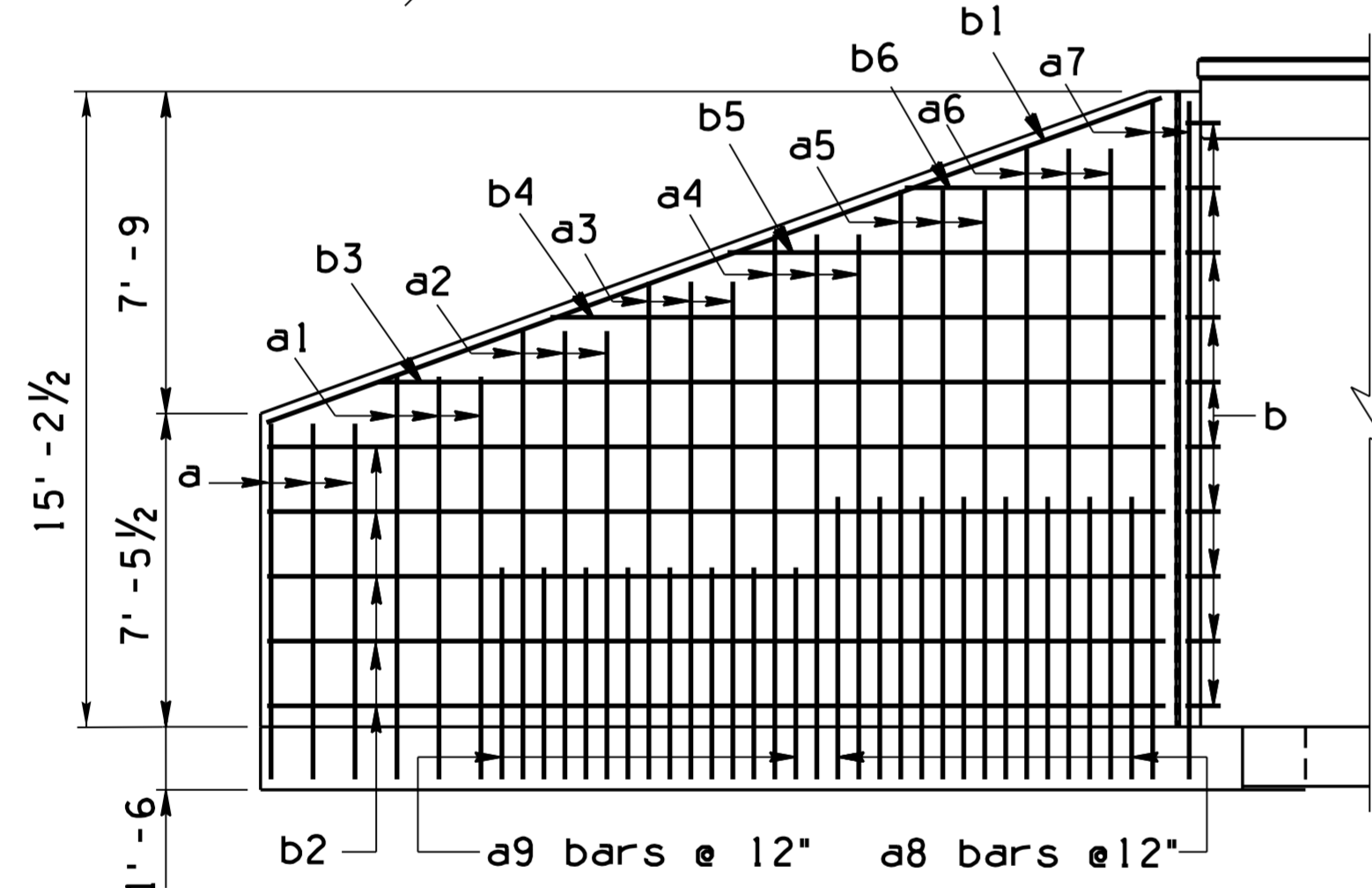
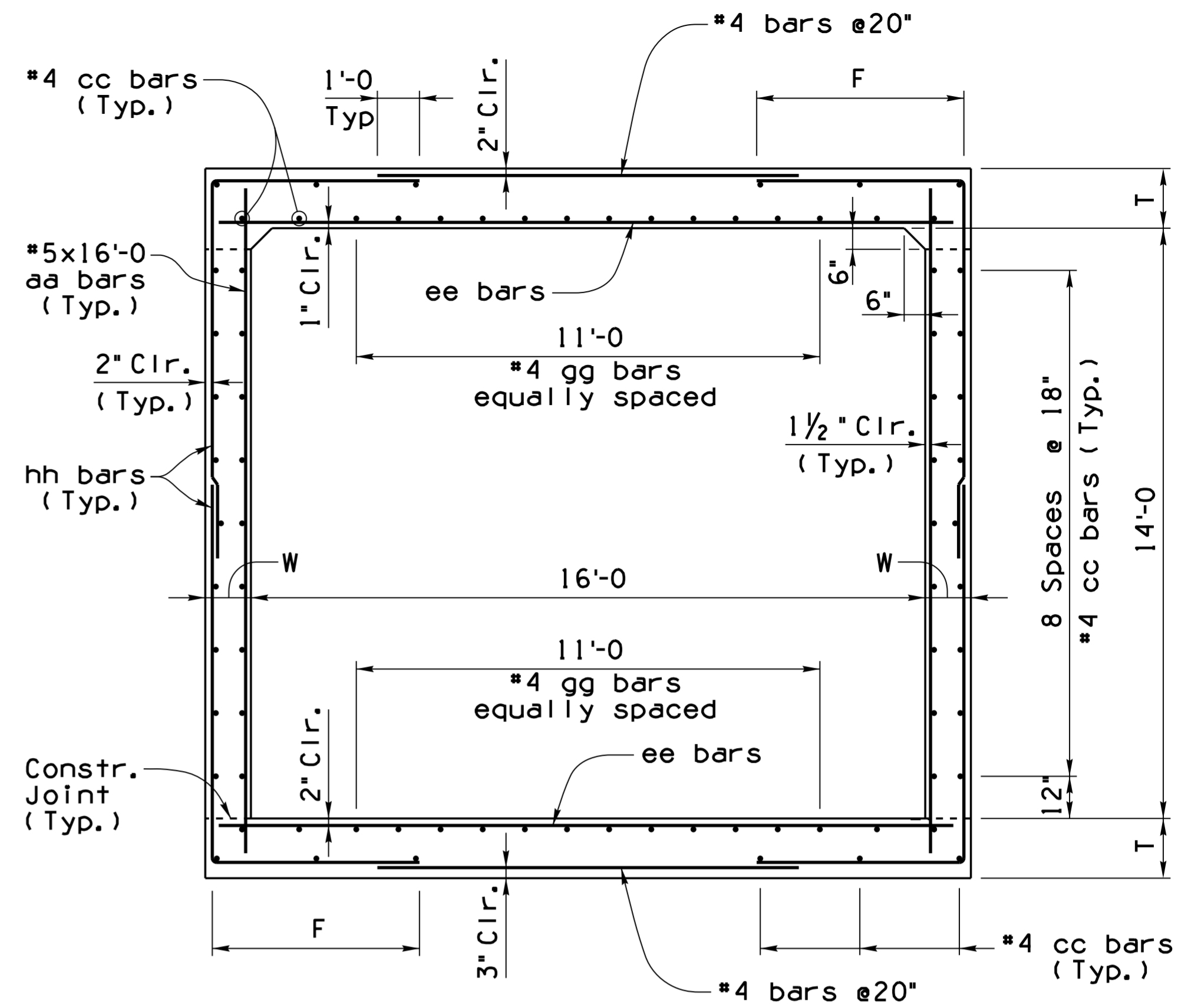
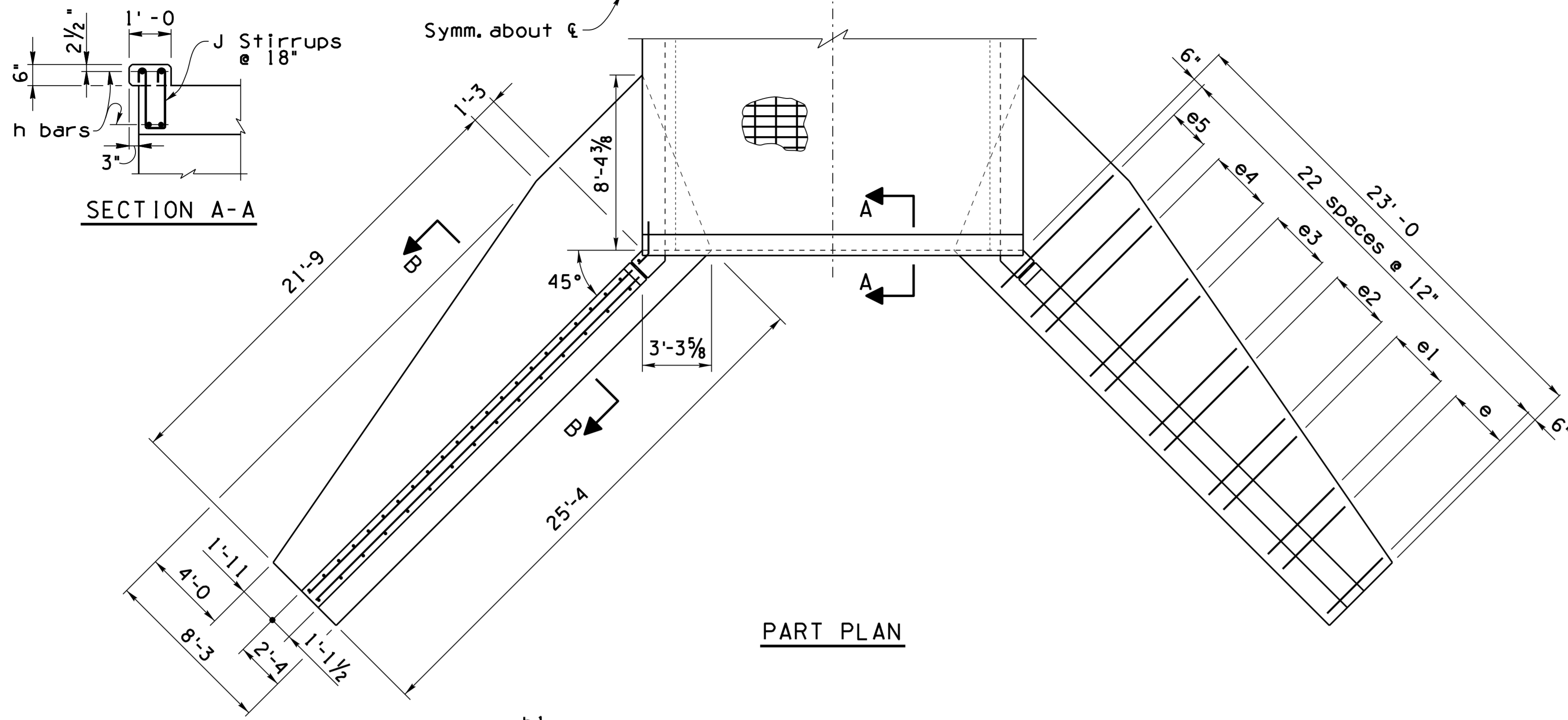


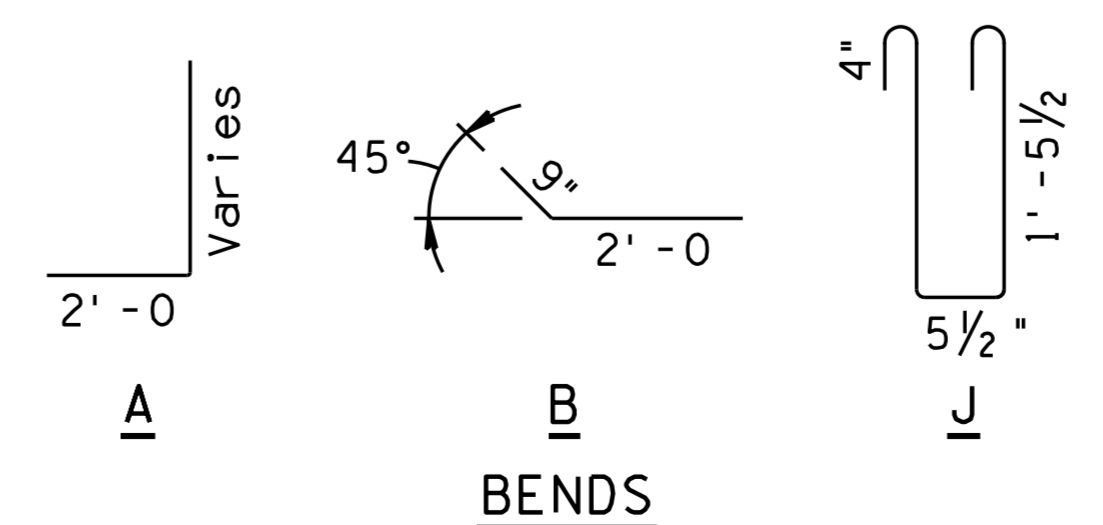
Note to Designer:
The information presented in this Standard Detail has been prepared in accordance with recognized engineering principles and is for general use. It should not be used for specific application without competent professional examination and verification of its suitability and applicability by a licensed professional engineer. Contents within the inner border line shall not be altered.

NO.	DESCRIPTION OF REVISIONS	DATE	MADE BY	CHKD. BY
1	Original Issue			
2				
3				
4				



HEAD WALL STEEL LIST									
Mark	Bend	Size	No.	Lgth.	Mark	Bend	Size	No.	Lgth.
a	A	#5	6	10'-9"	b	B	#4	20	2'-9"
a1	A	#5	6	11'-9"	b1	str.	#6	4	22'-9"
a2	A	#5	6	12'-9"	b2	str.	#4	20	21'-6"
a3	A	#6	6	13'-9"	b3	str.	#4	4	18'-6"
a4	A	#6	6	14'-9"	b4	str.	#4	4	14'-6"
a5	A	#6	6	16'-0"	b5	str.	#4	4	10'-6"
a6	A	#6	6	17'-0"	b6	str.	#4	4	6'-0"
a7	A	#7	4	18'-3"	e	str.	#5	8	3'-9"
a8	str.	#8	16	7'-3"	e1	str.	#5	8	4'-6"
a9	str.	#6	16	5'-3"	e2	str.	#6	8	5'-3"
a10	str.	#4	6	8'-9"	e3	str.	#7	8	6'-0"
a11	str.	#4	6	10'-3"	e4	str.	#8	8	6'-9"
a12	str.	#4	6	11'-9"	e5	str.	#9	6	7'-3"
a13	str.	#4	6	13'-3"	CURB				
a14	str.	#4	6	15'-0"	h	str.	#8	4	17'-6"
m	str.	#4	16	22'-6"	j	J	#4	12	4'-4"
HEAD WALL QUANTITIES									
Steel					3173 Lbs				
Conc.					41.5 CY				

BARREL STEEL LIST				
FILL	TABLE I 0' to 5'	TABLE II 5' to 10'	TABLE III 10' to 15'	TABLE IV 15' to 20'
Slab (T)	14 1/2"	17"	20"	22"
Walls (W)	12"	13"	14"	16"
Bars aa (spa)	9"	8"	7"	6"
Bars cc (No.)	56	56	56	56
Bars ee	Size	#9	#10	#10
	Spacing	9"	9"	8"
	Length	17'-8"	17'-10"	18'-0"
Bars gg (No.)	38	24	24	24
	Size	#8	#8	#9
Bars hh	Spacing	10"	10"	10"
	Length	13'-11"	14'-2"	14'-6"
F	4'-10"	4'-11"	5'-0"	5'-2"
BARREL QUANTITIES				
Steel */Lf	457	502	594	649
Conc. CY/Lf	2.657	3.039	3.483	3.927



NOTE:
For General Notes, Dimensions, and additional Details, see SD 6.01 (1 to 4).

DESIGN APPROVED <i>Shafiq U. Hasan</i>	ARIZONA DEPARTMENT OF TRANSPORTATION INFRASTRUCTURE DELIVERY AND OPERATIONS DIVISION BRIDGE GROUP STRUCTURE DETAIL
APPROVED FOR DISTRIBUTION <i>Teon A. Nehme</i>	REINFORCED CONCRETE BOX CULVERTS 16' x 14' EQUIPMENT PASS (0' - 20' FILLS)
ROUTE	PROJECT NO.
LOCATION	FA NO.
DRAWING NO. SD 6.07	
SHEET NO. OF	