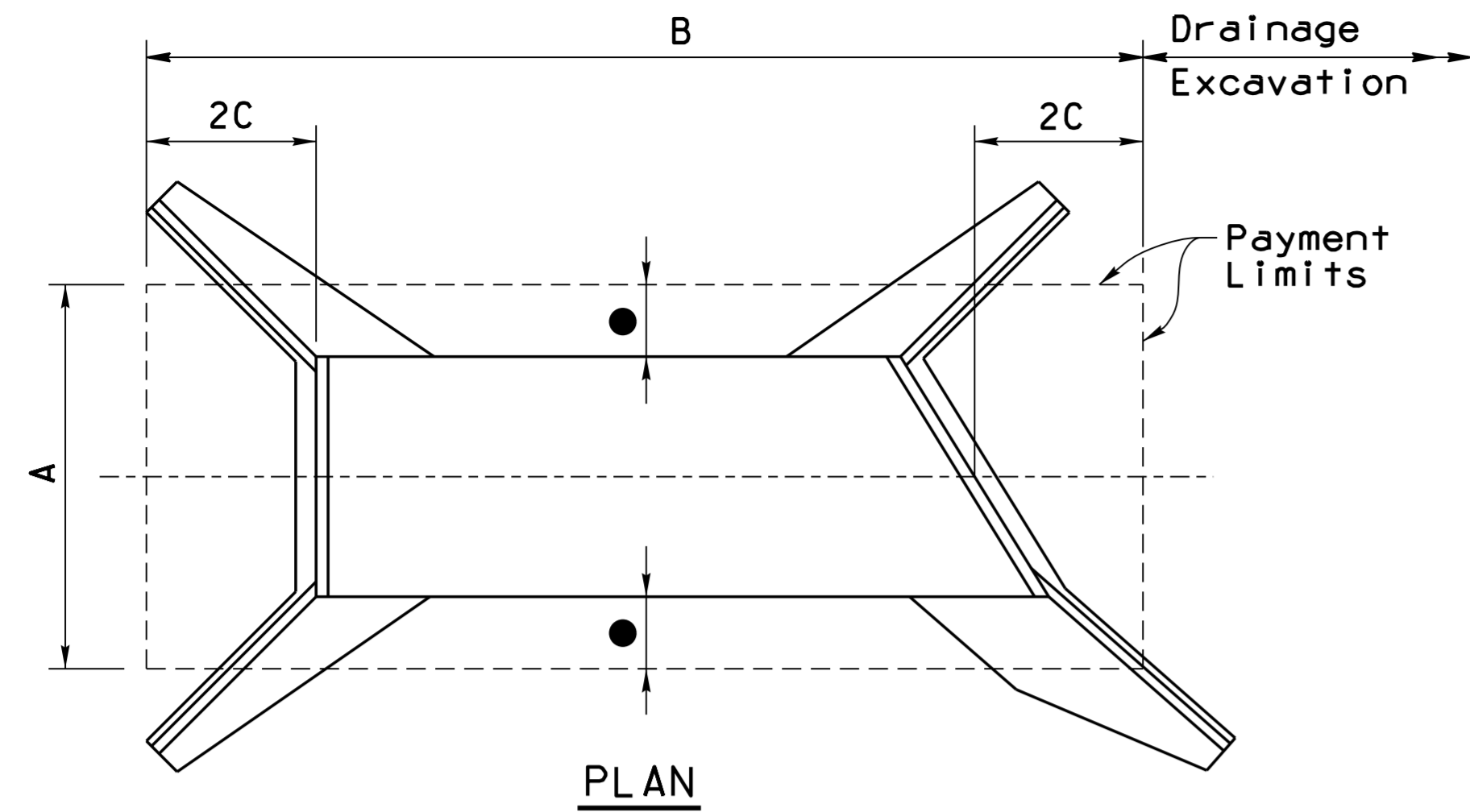
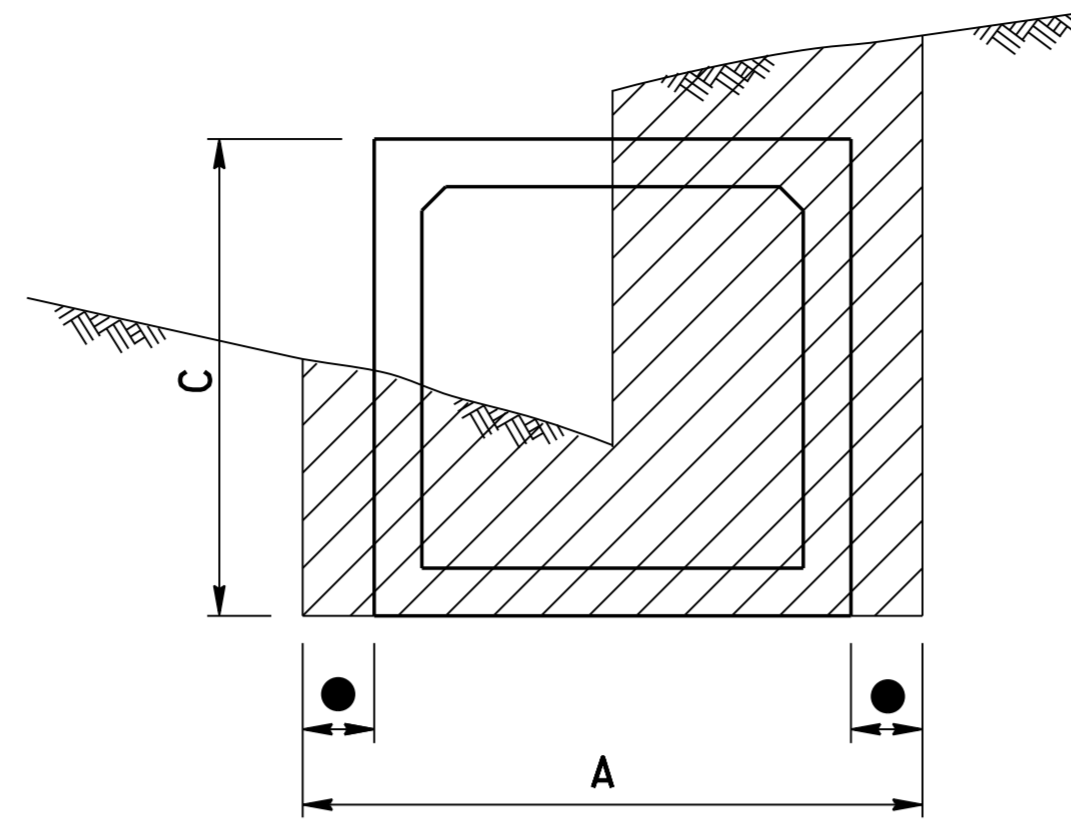


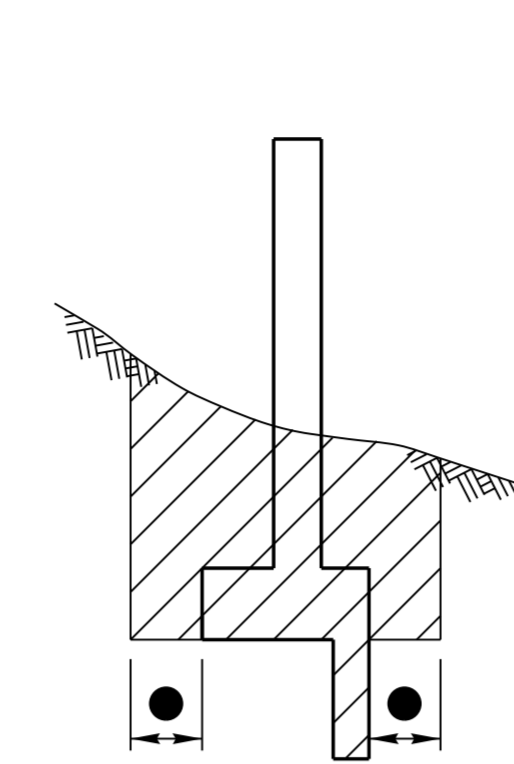
Note to Designer:  
 The information presented in this Standard Detail has been prepared in accordance with recognized engineering principles and is for general use. It should not be used for specific application without competent professional examination and verification of its suitability and applicability by a licensed professional engineer. Contents within the inner border line shall not be altered.



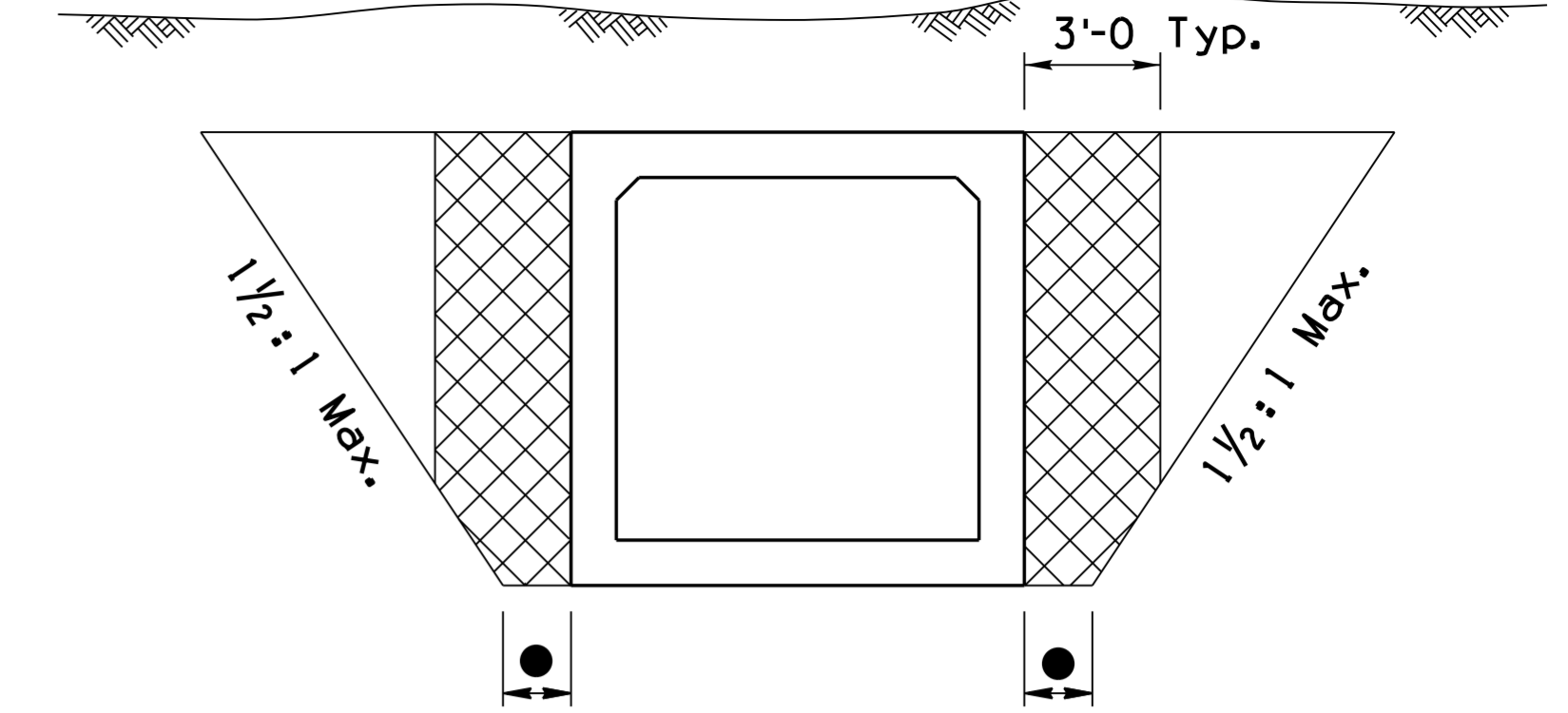
PLAN



SECTION



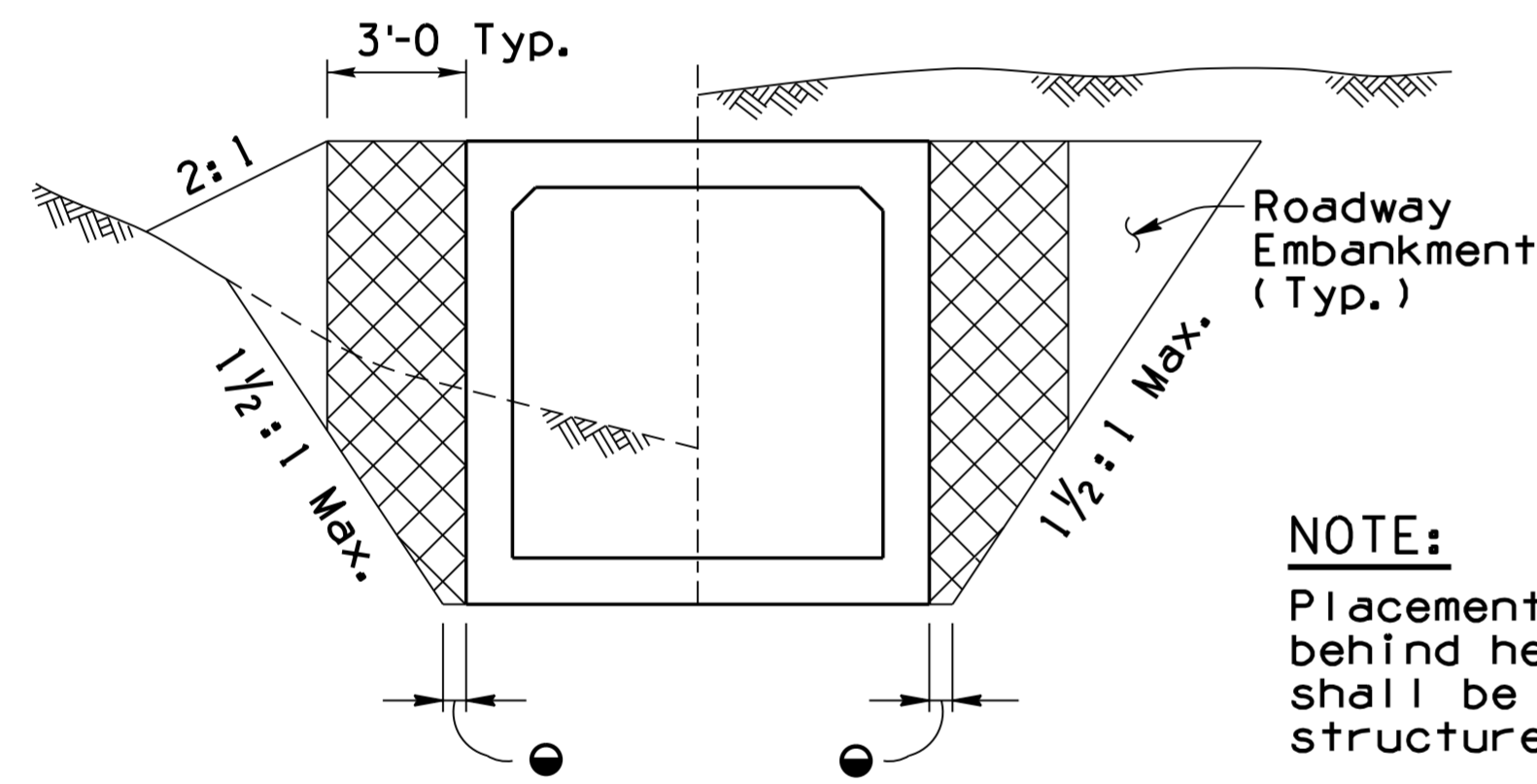
SECTION AT WING



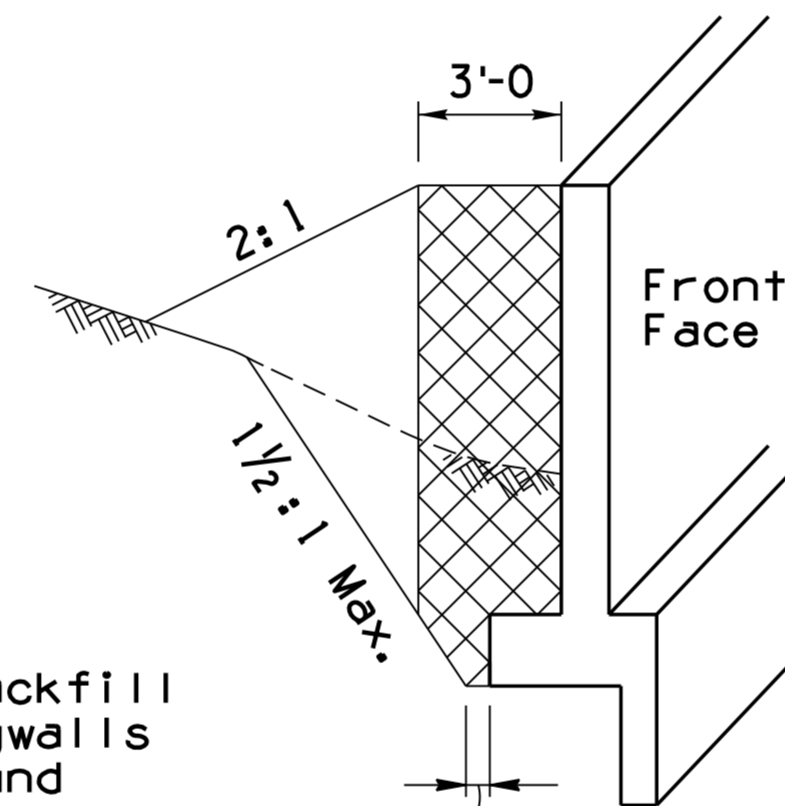
SECTION

**STRUCTURAL EXCAVATION - PAYMENT LIMITS**

**NOTE:**  
 Payment limits shown include structural excavation for headwalls, cutoffwalls, wingwalls, end sections, etc.



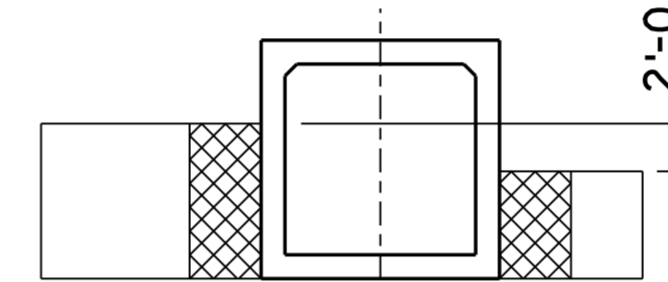
SECTION



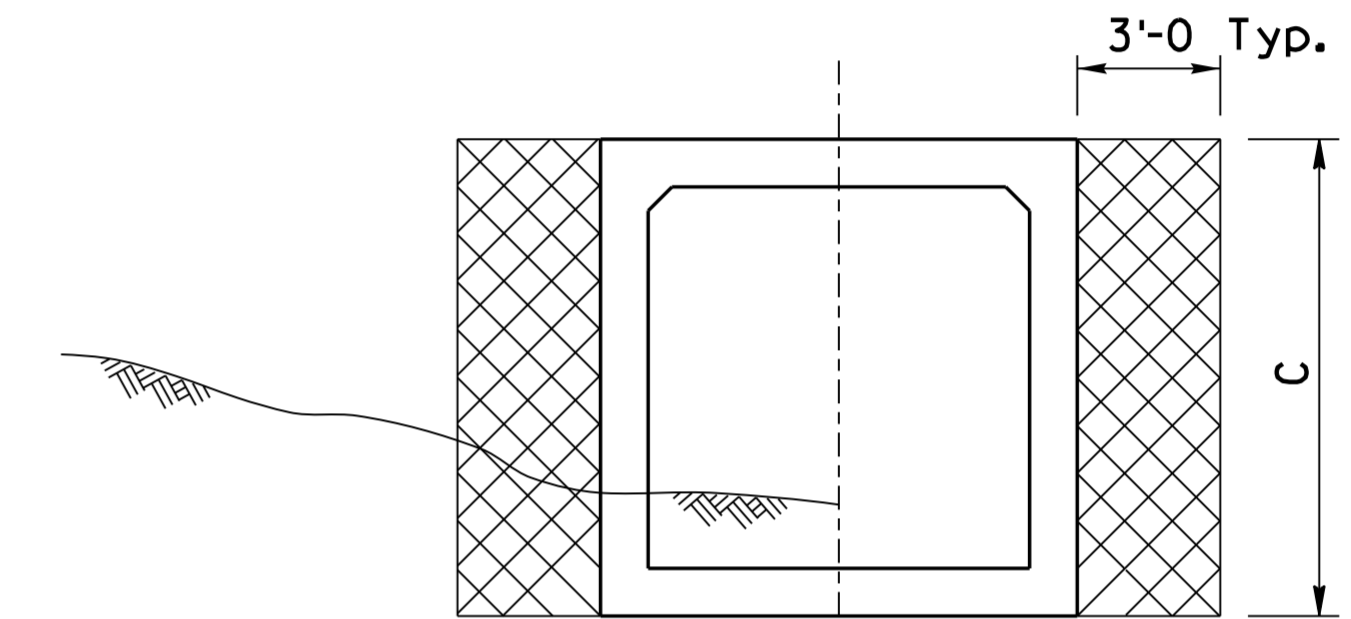
VIEW OF WING

**NOTE:**  
 Placement of structure backfill behind headwalls and wingwalls shall be the same as around structures.

Placement and compaction of backfill shall not be more than 2 feet higher than other side (for any number of boxes).



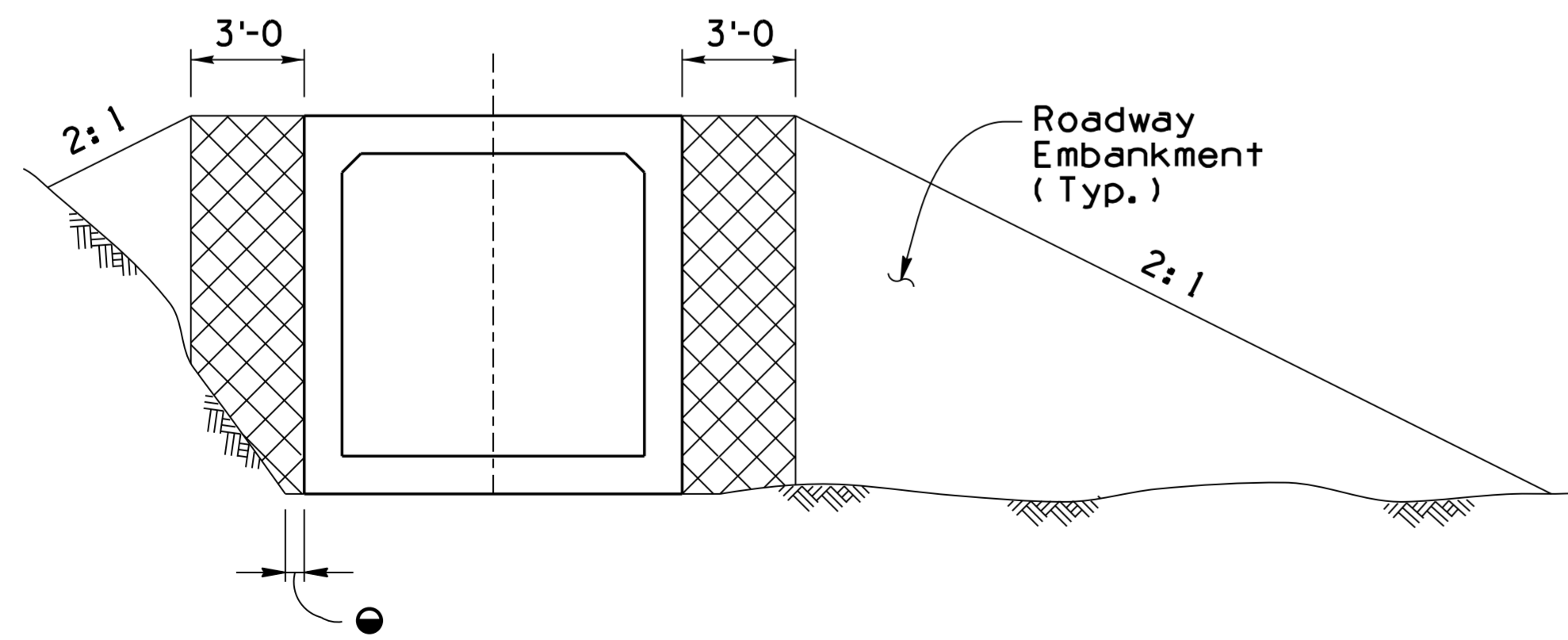
PLACEMENT DETAIL



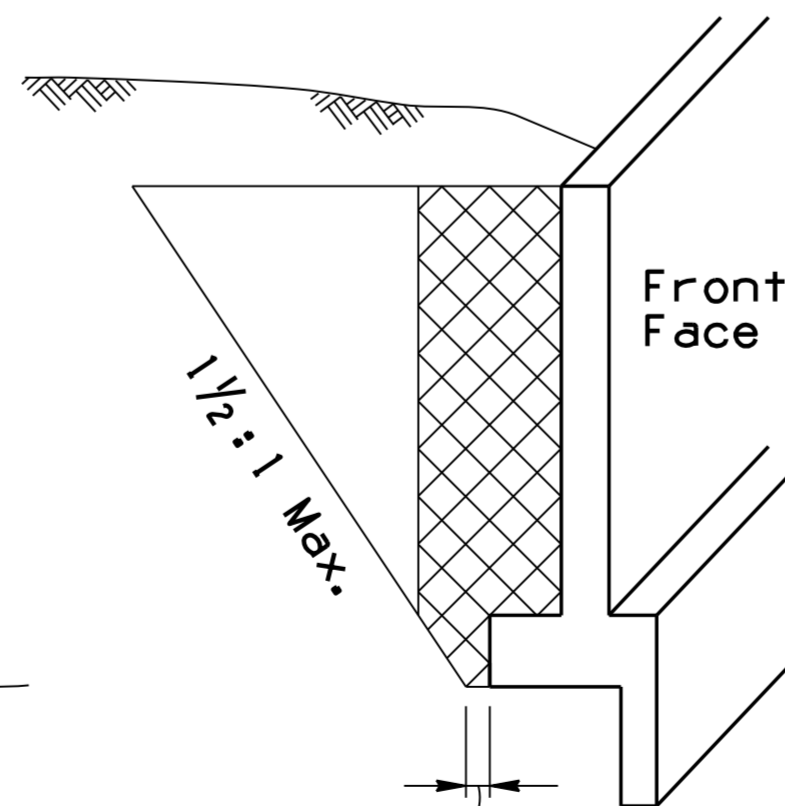
SECTION

**STRUCTURE BACKFILL - MEASUREMENT**

**NOTE:**  
 Computation of structure backfill quantities is based on the area of a typical installation times the total length of structure plus 2C. Use C for box extensions on each end extended. No measurement is necessary for wing arms.



SECTION



VIEW OF WING

**STRUCTURE BACKFILL - PLACEMENT**

**LEGEND**

- A = Width
- B = Length
- C = Height of barrel or headwall without cutoff wall.
- = 6" Max. in rock and trench, 1'-6 max. all others
- = 6" Min. in rock and trench, 1'-6 min. all others
- ▨ Indicates Structural Excavation
- ▩ Indicates Structure Backfill
- Indicates Roadway Embankment

**NOTE:**

For General Notes, Dimensions, Quantities and additional Details, see SD 6.01 (1,2,3 & 5).

NO	DESCRIPTION OF REVISIONS	MADE BY	DATE
1	Original Issue	SJH	2-12
2			
3			
4			

DESIGN APPROVED <i>Shafiq U. Hasan</i>		ARIZONA DEPARTMENT OF TRANSPORTATION INFRASTRUCTURE DELIVERY AND OPERATIONS DIVISION BRIDGE GROUP STRUCTURE DETAIL	
APPROVED FOR DISTRIBUTION <i>Teon A. Nehme</i>		REINFORCED CONCRETE BOX CULVERTS STRUCTURAL EXCAVATION & STRUCTURE BACKFILL	
ROUTE	PROJECT NO.	FA NO.	DRAWING NO. SD 6.01 (4 of 5)
LOCATION			SHEET NO. OF