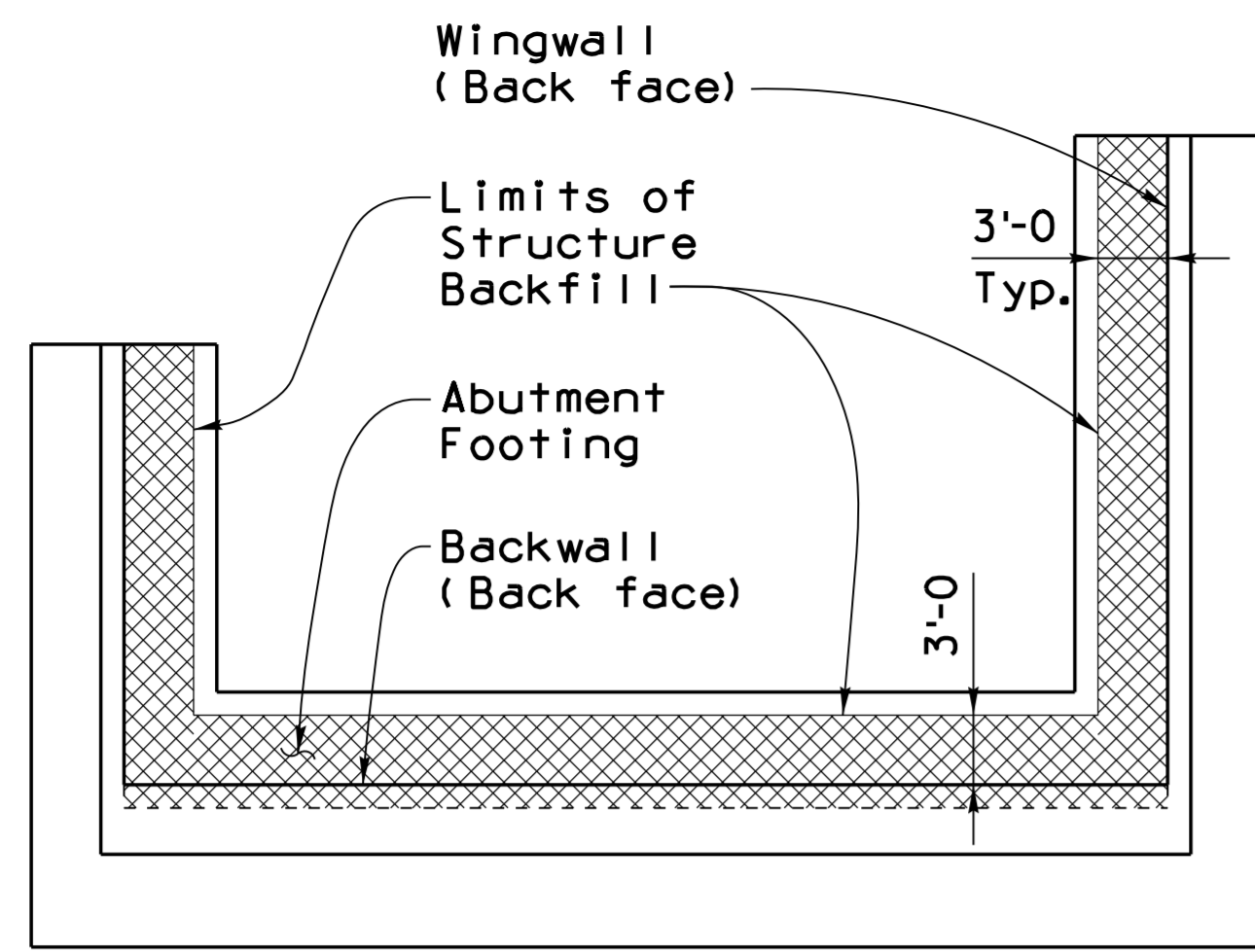
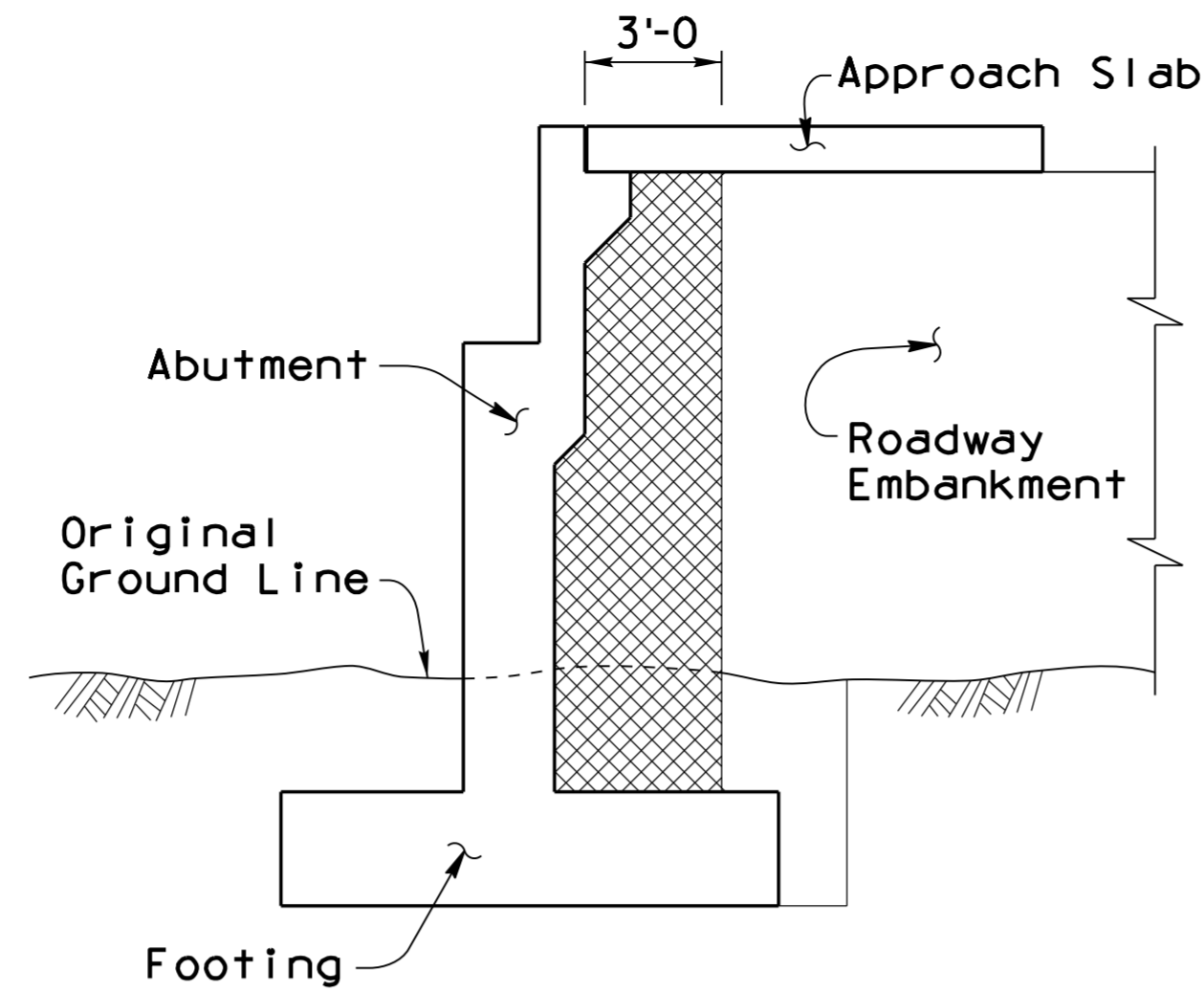


Note to Designer:
 The information presented in this Standard Detail has been prepared in accordance with recognized engineering principles and is for general use. It should not be used for specific application without competent professional examination and verification of its suitability and applicability by a licensed professional engineer. Contents within the inner border line shall not be altered.

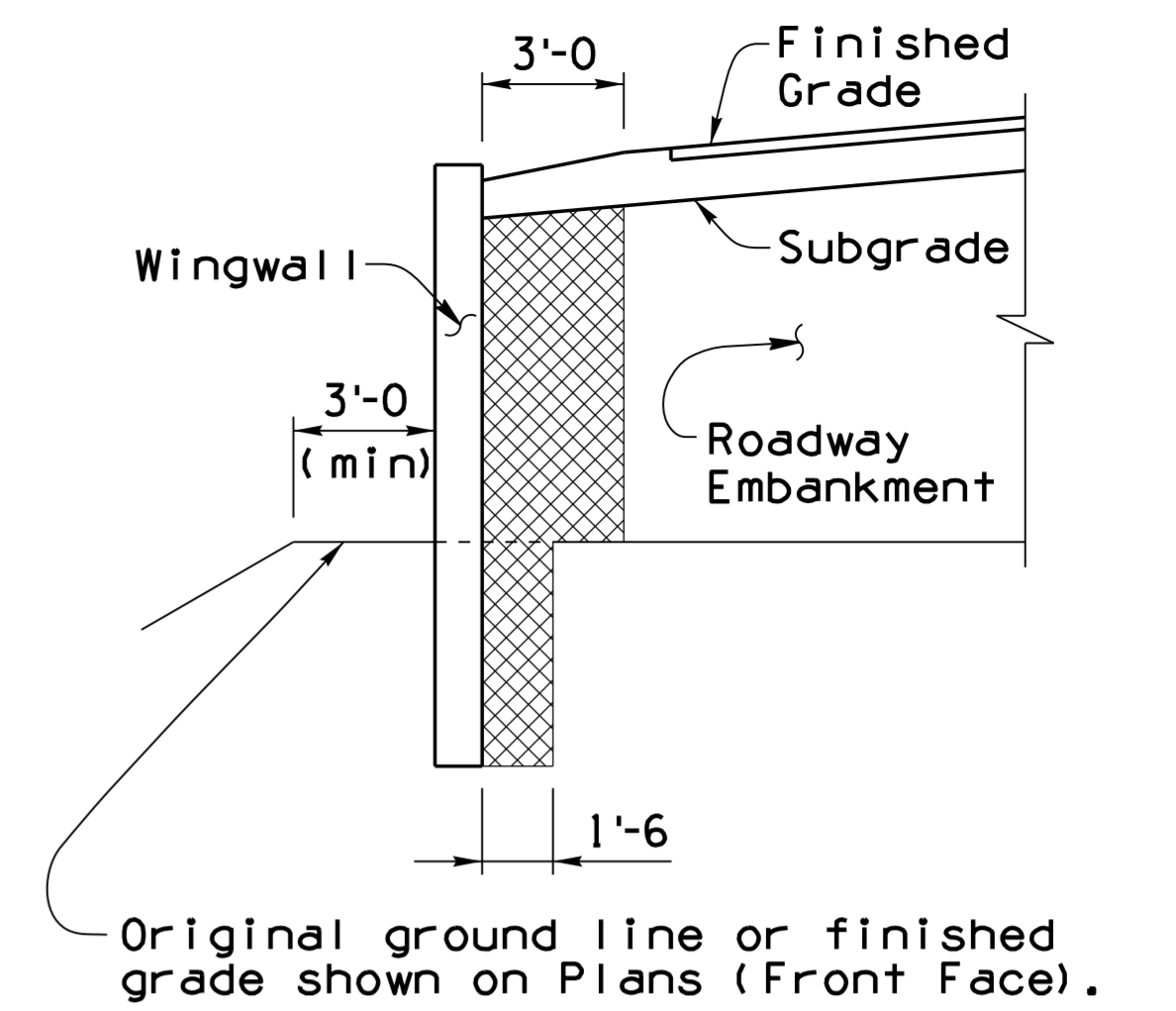
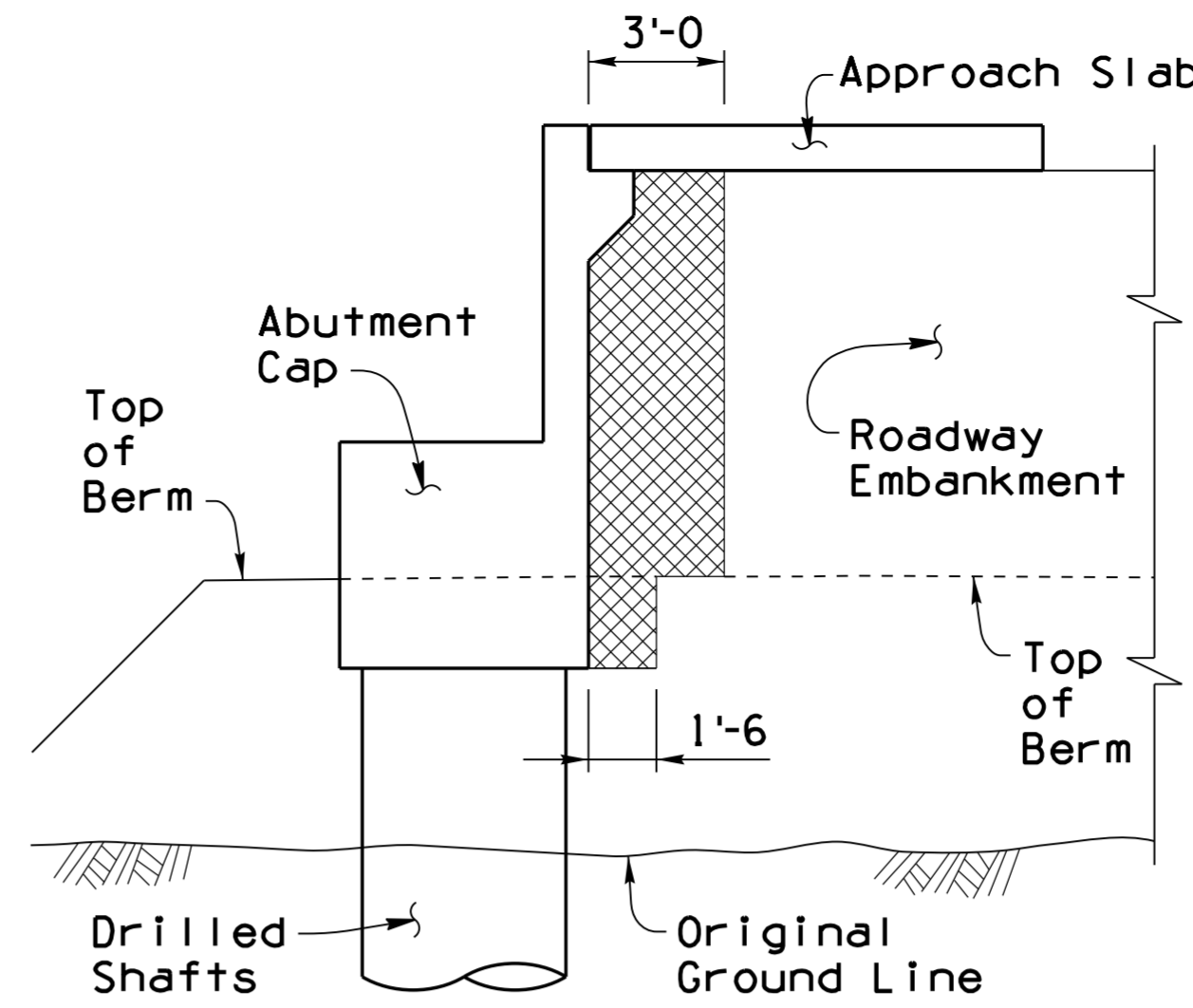
NO.	DESCRIPTION OF REVISIONS	MADE BY	DATE
1	Original Issue	SJH	11-12
2			
3			
4			



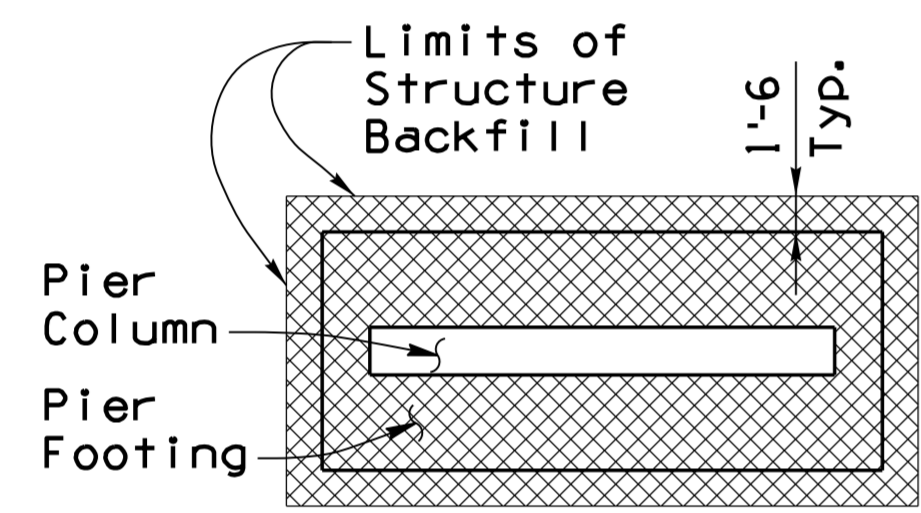
TYPICAL ABUTMENT FOOTING PLAN



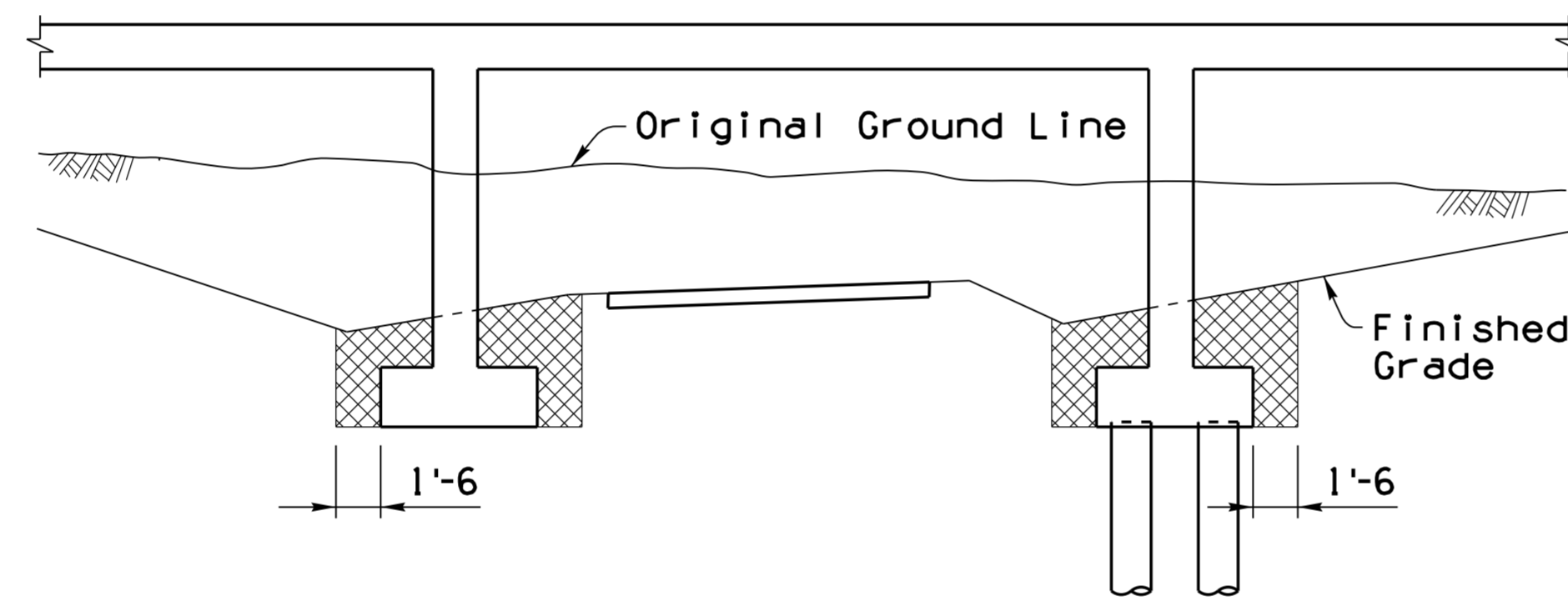
TYPICAL ABUTMENT SECTIONS



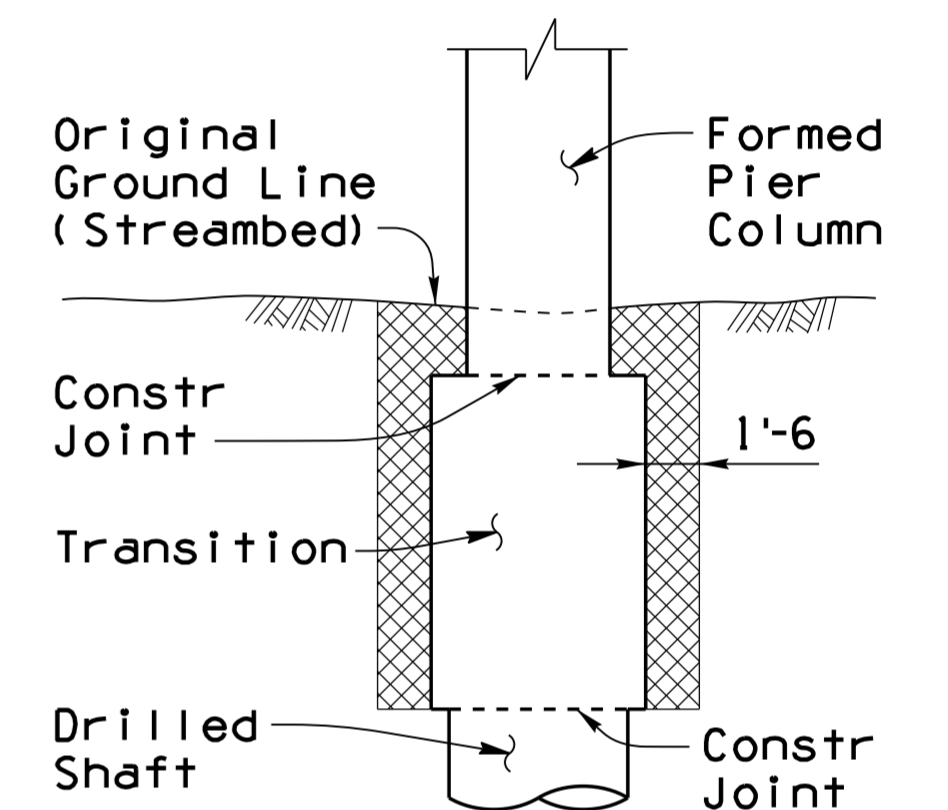
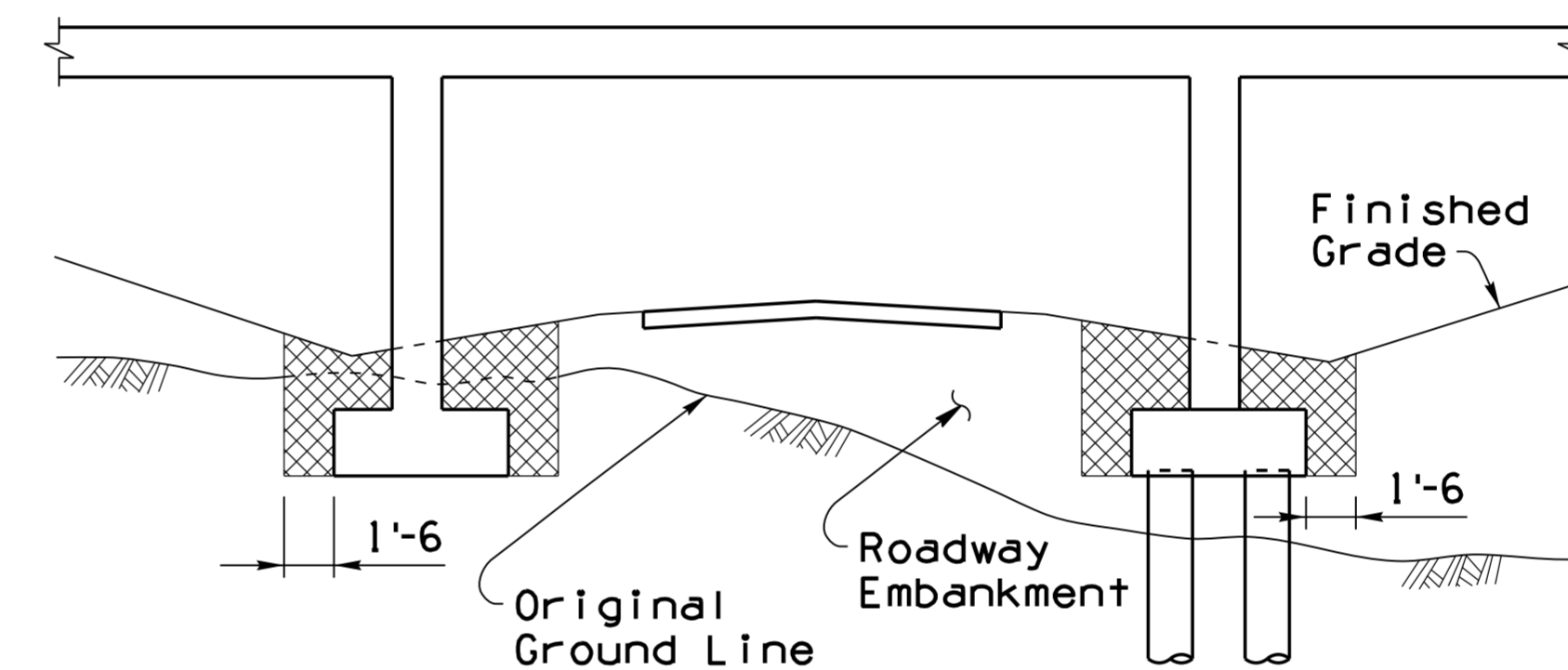
WINGWALL



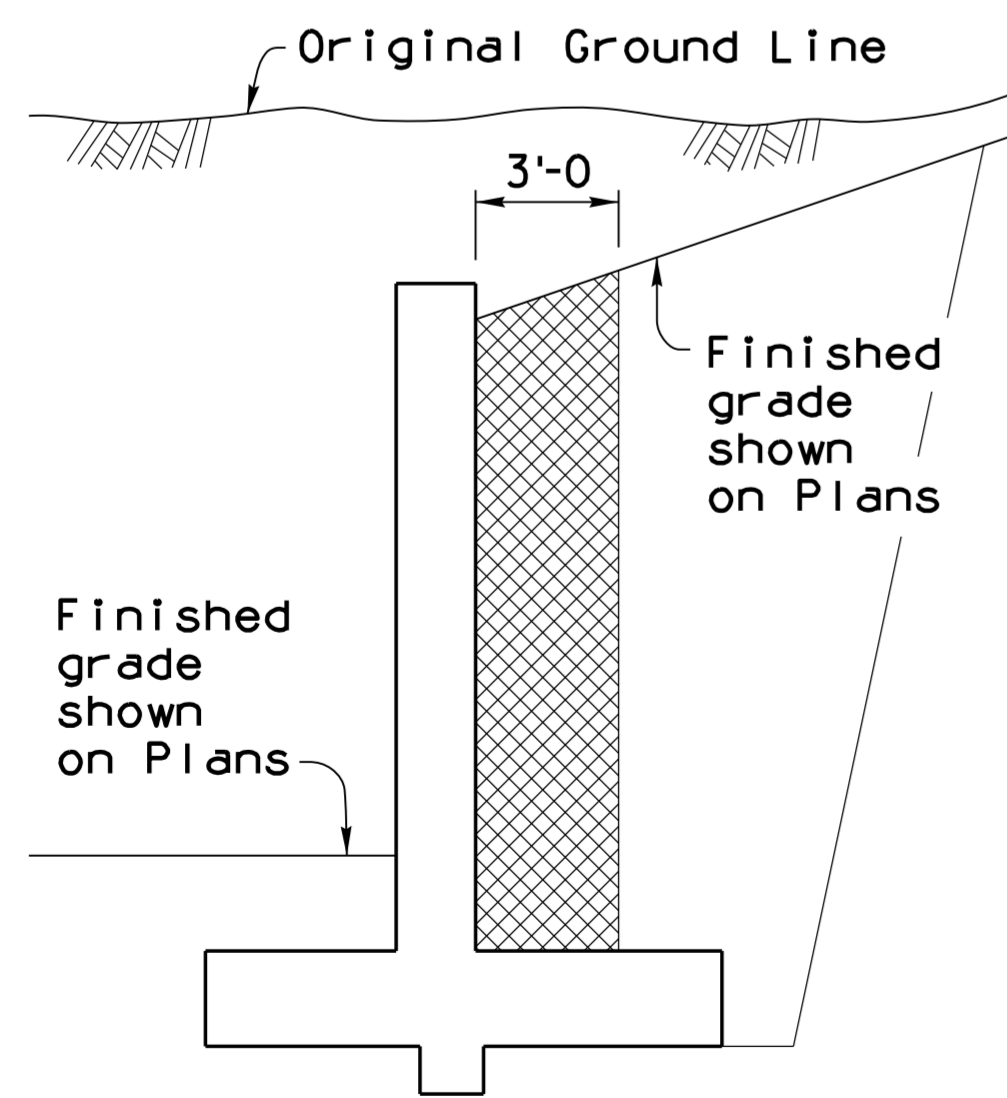
TYPICAL PIER FOOTING PLAN



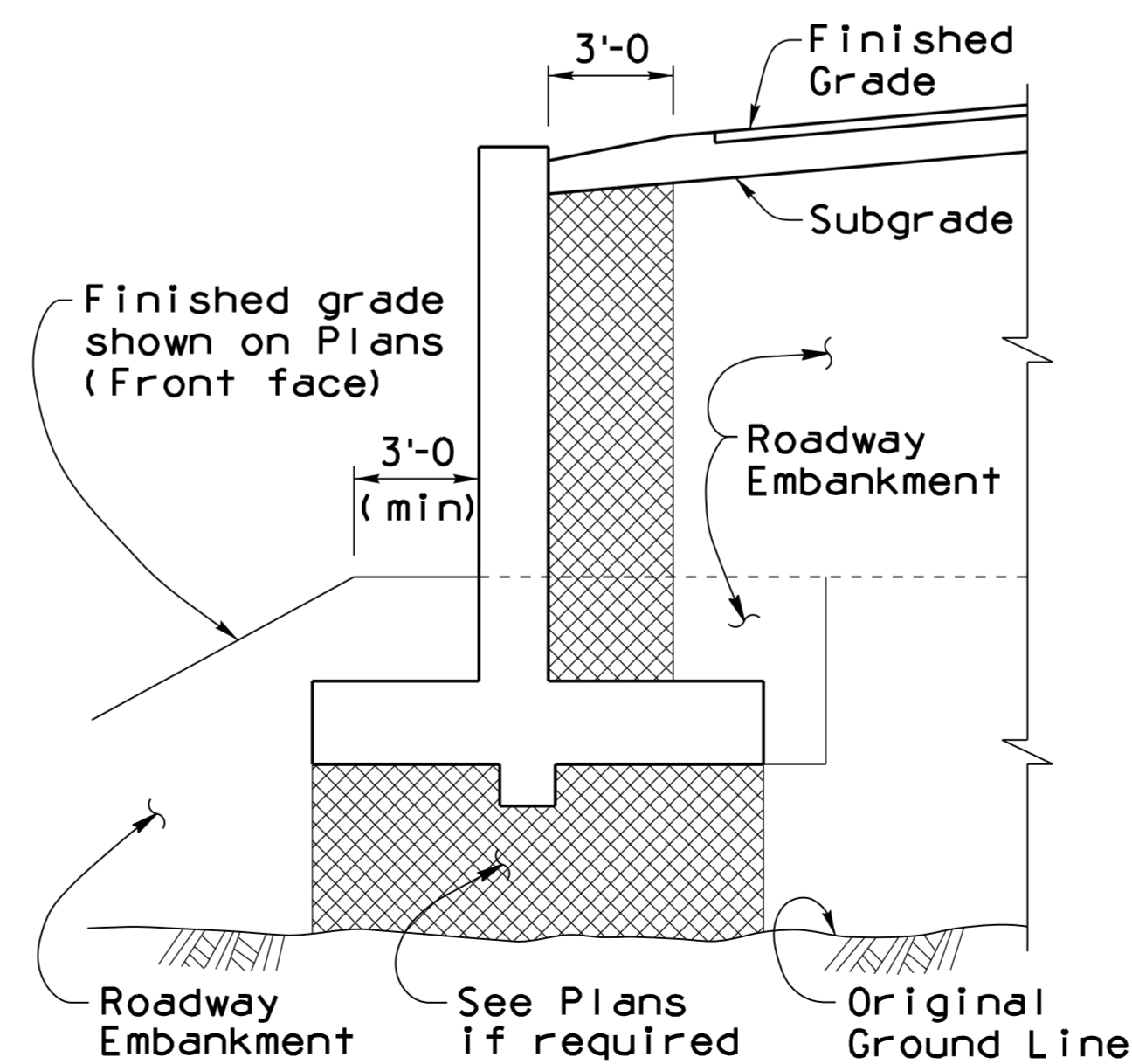
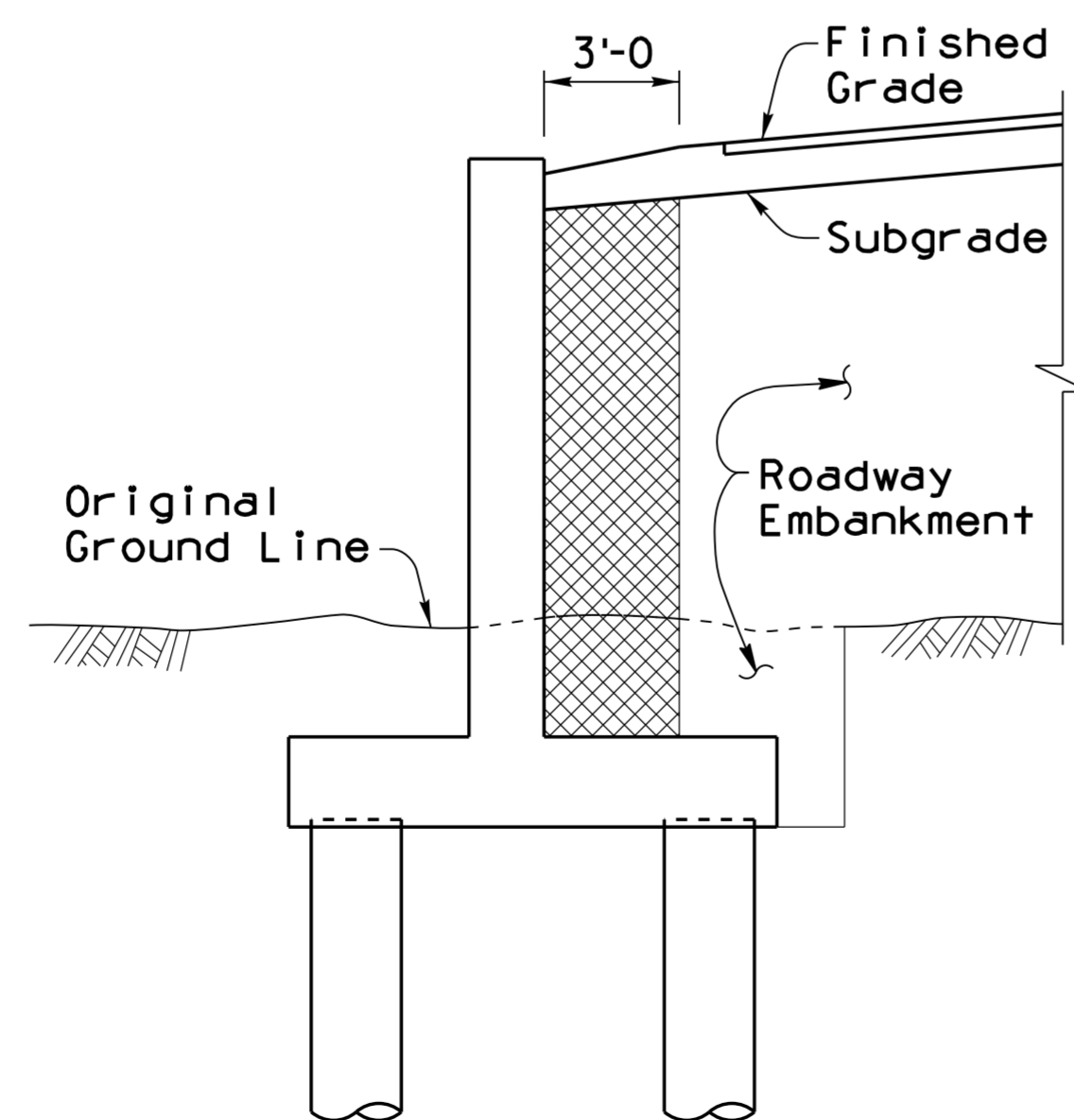
TYPICAL PIER ELEVATIONS



PIER SECTION



TYPICAL RETAINING WALL SECTIONS



LEGEND
 Structure Backfill

NOTES:
 Structure backfill shall be compacted to a minimum of 100% of the maximum density (ASTM D698).

DESIGN APPROVED <i>Shafiq U. Hasan</i>		ARIZONA DEPARTMENT OF TRANSPORTATION INFRASTRUCTURE DELIVERY AND OPERATIONS DIVISION BRIDGE GROUP STRUCTURE DETAIL	
APPROVED FOR DISTRIBUTION <i>Teon A. Nehme</i>		STRUCTURE BACKFILL PAYMENT LIMITS	
ROUTE	PROJECT NO.	FA NO.	DRAWING NO. SD 5.02
LOCATION			SHEET NO. OF