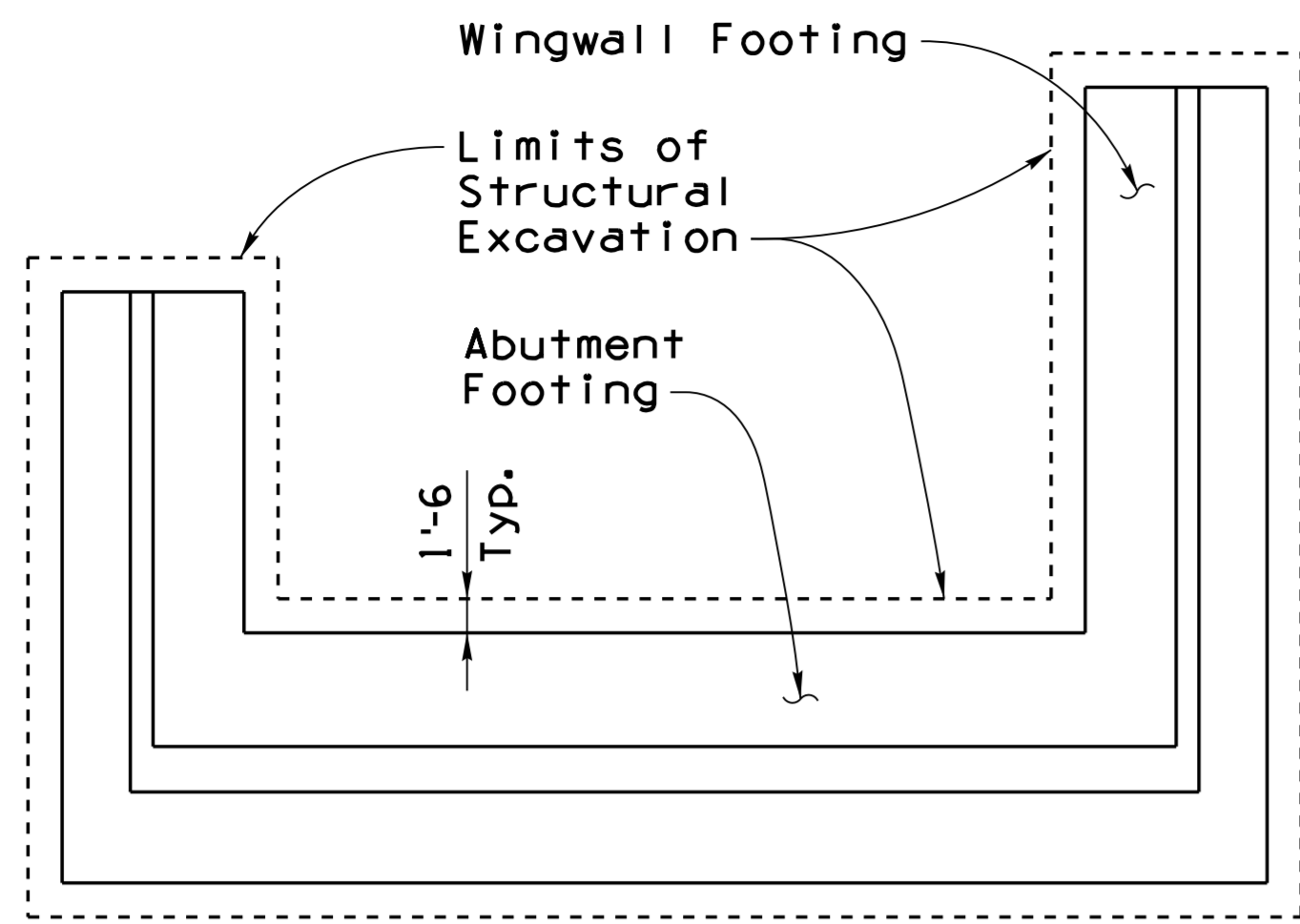
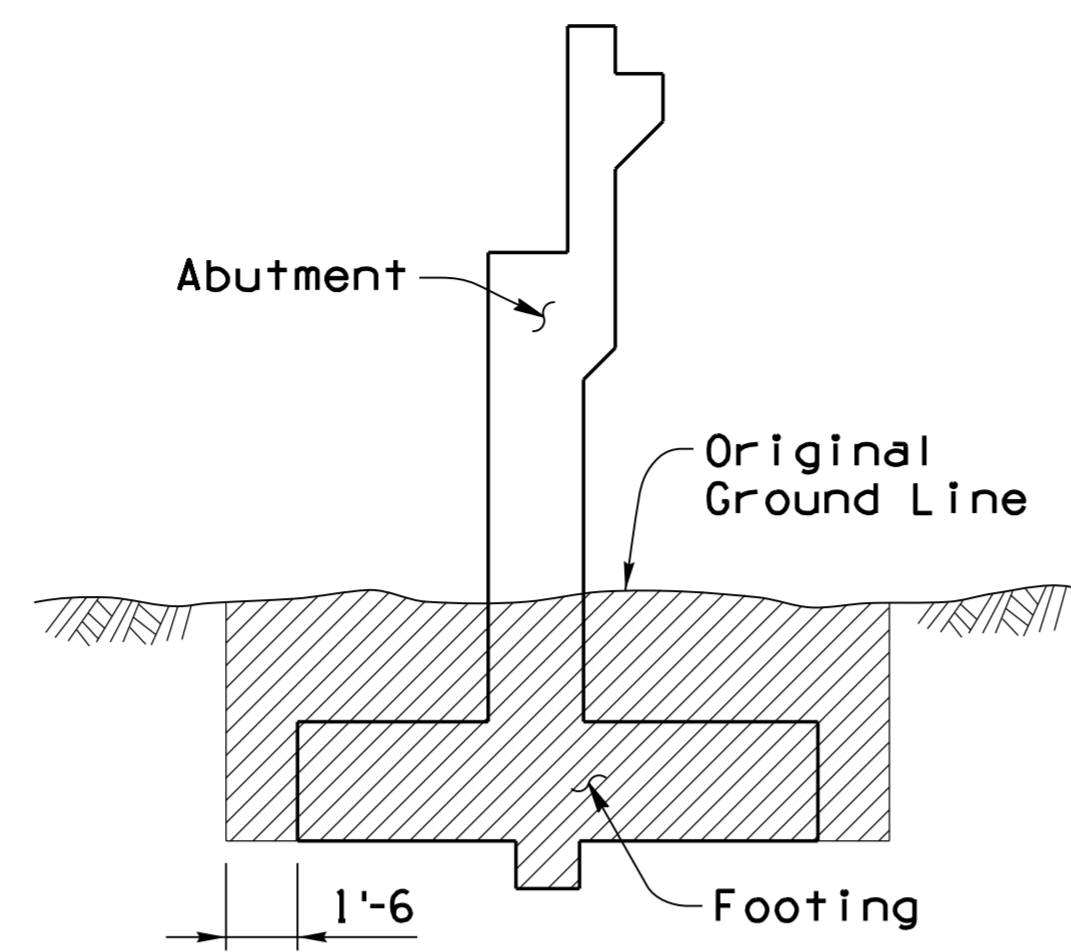


Note to Designer:
 The information presented in this Standard Detail has been prepared in accordance with recognized engineering principles and is for general use. It should not be used for specific application without competent professional examination and verification of its suitability and applicability by a licensed professional engineer. Contents within the inner border line shall not be altered.

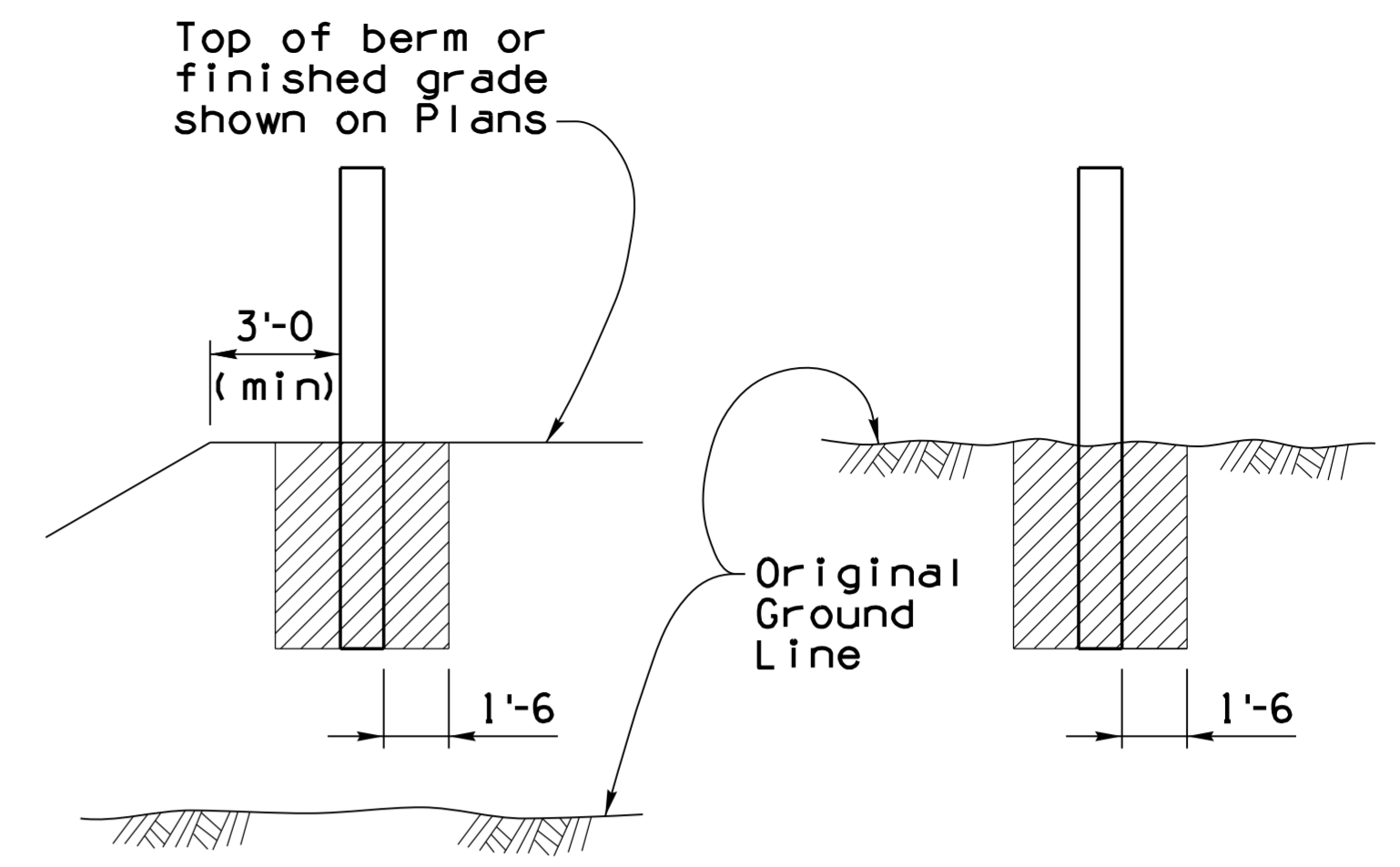
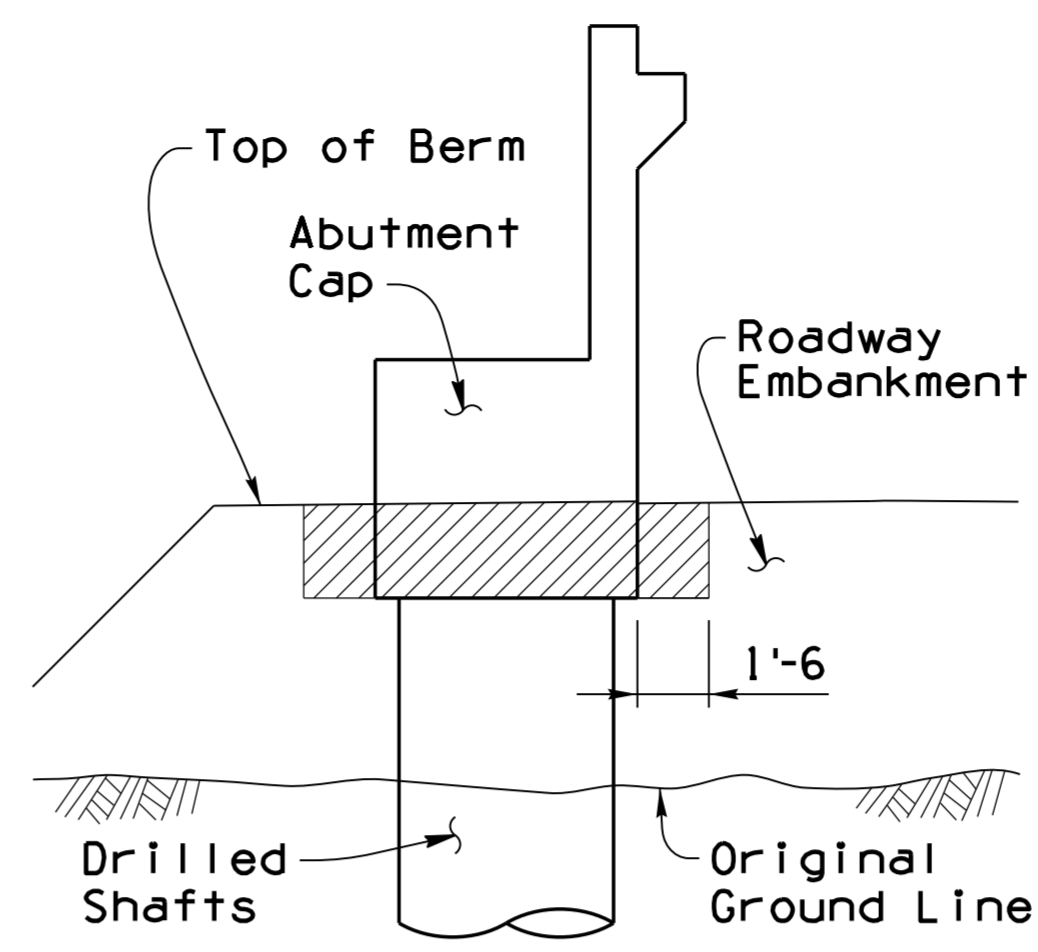
NO	DESCRIPTION OF REVISIONS	MADE BY	DATE
1	Original Issue	SJH	11-12
2			
3			
4			



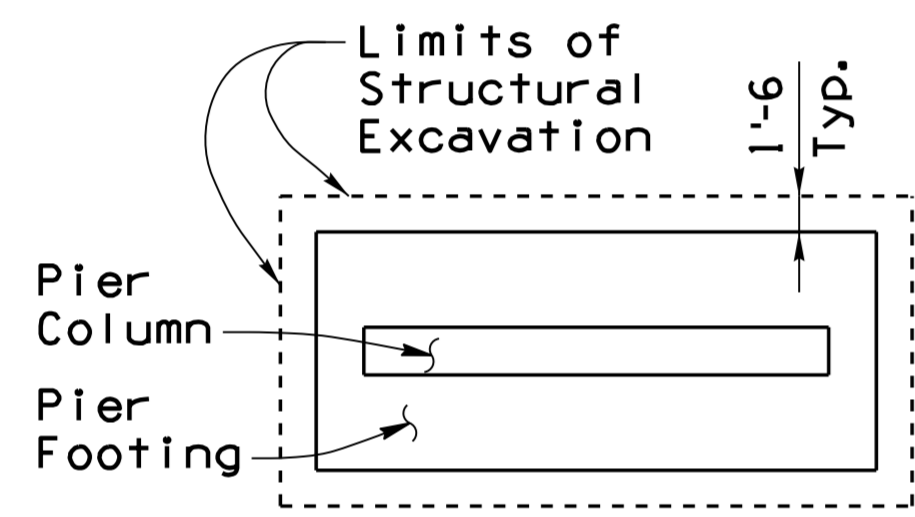
TYPICAL ABUTMENT FOOTING PLAN



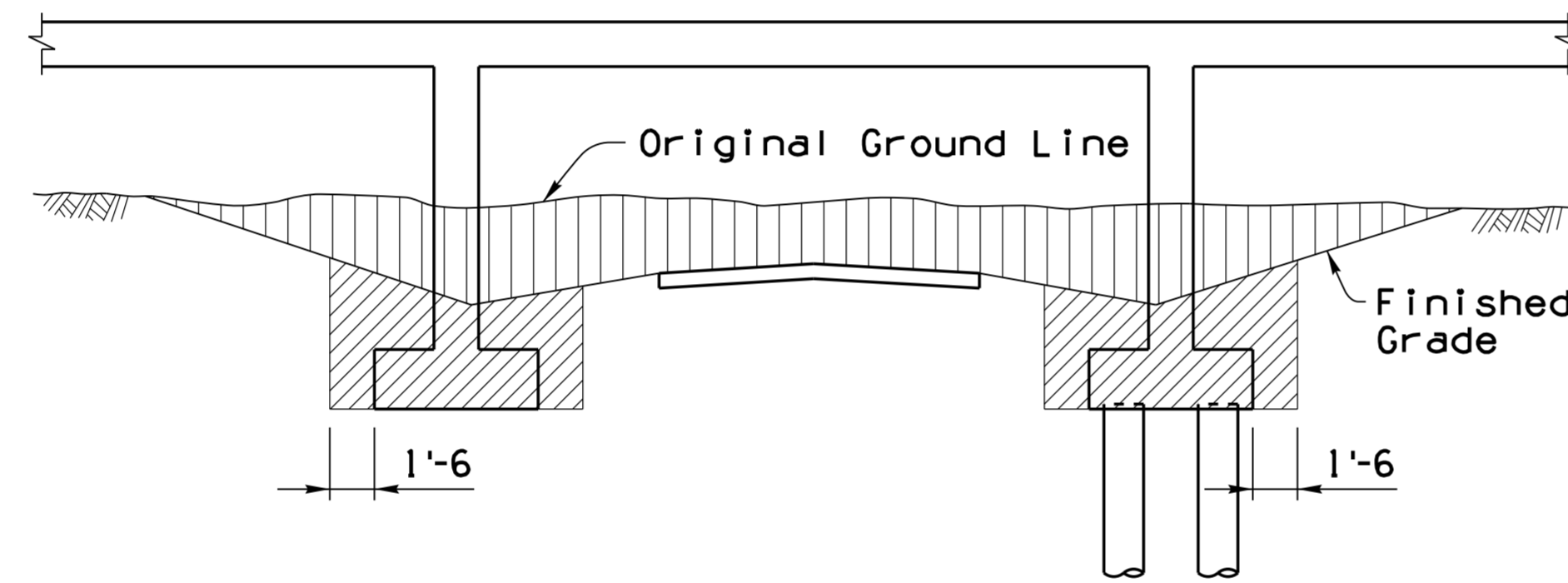
TYPICAL ABUTMENT SECTIONS



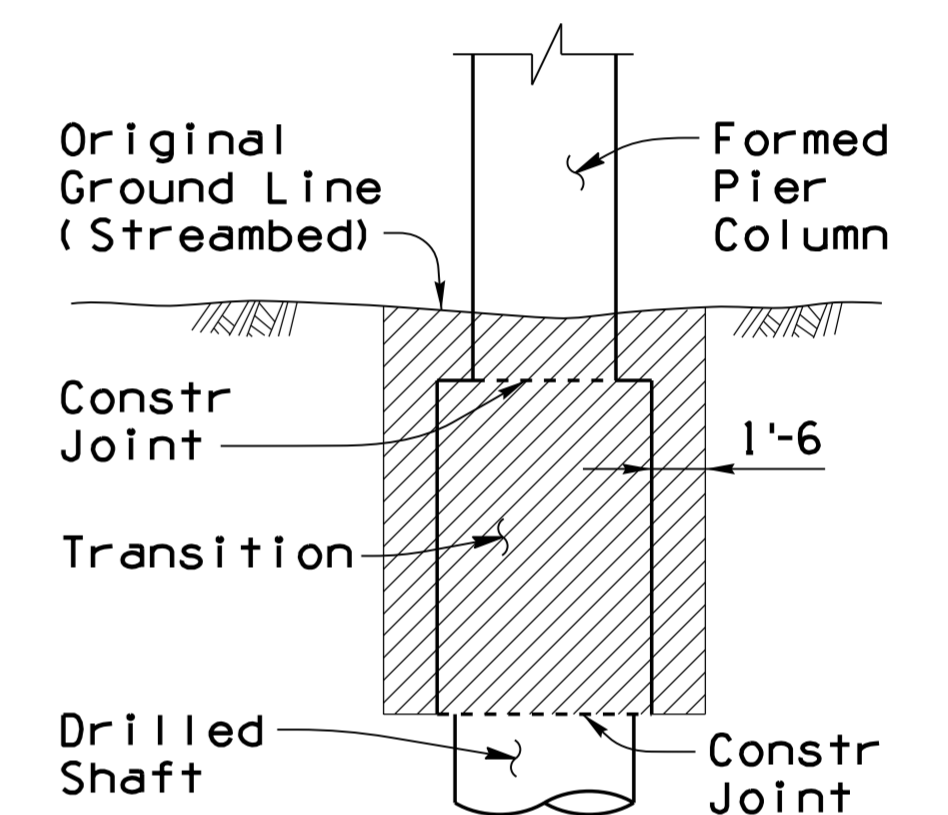
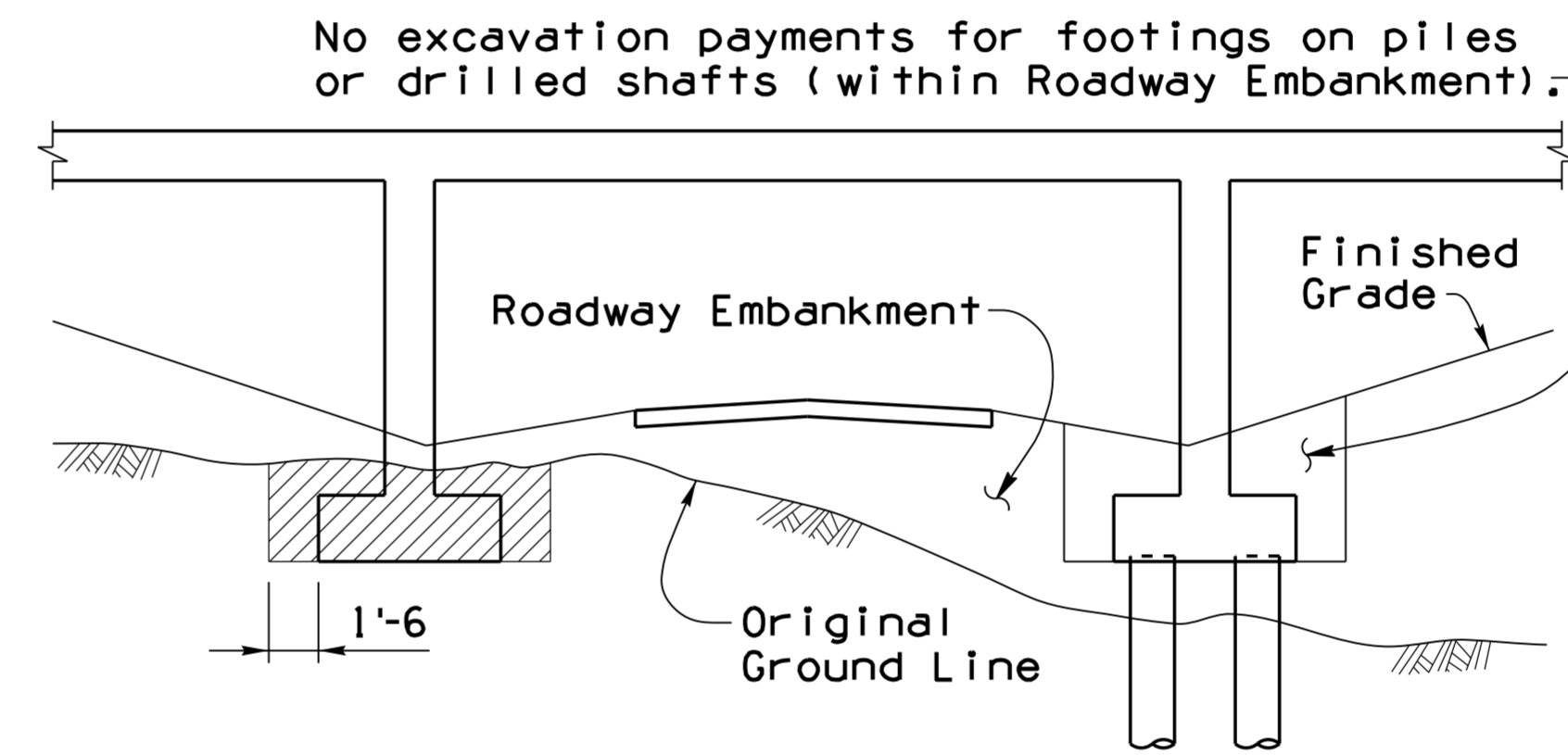
WINGWALLS



TYPICAL PIER FOOTING PLAN



TYPICAL PIER ELEVATIONS



PIER SECTION

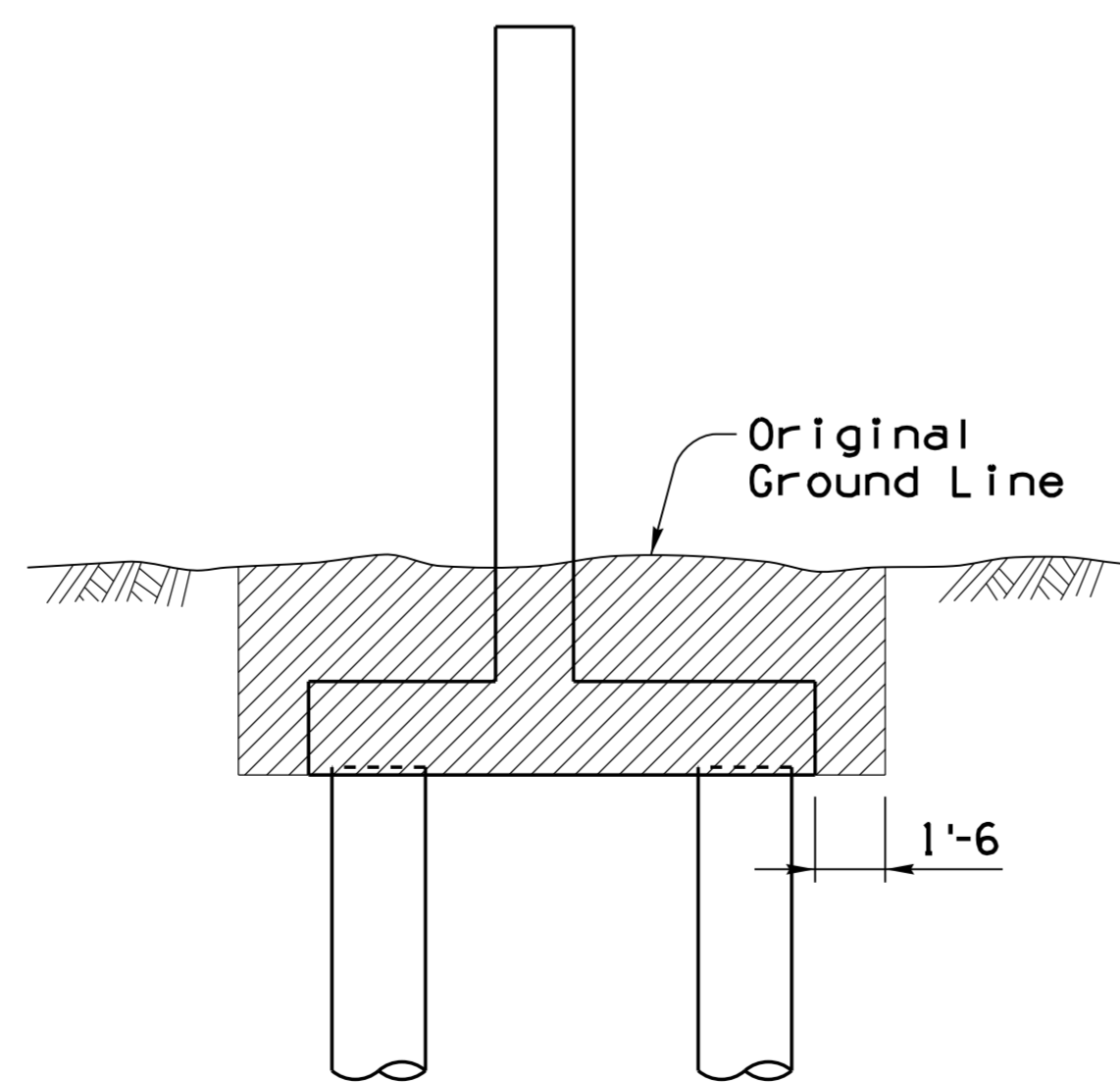
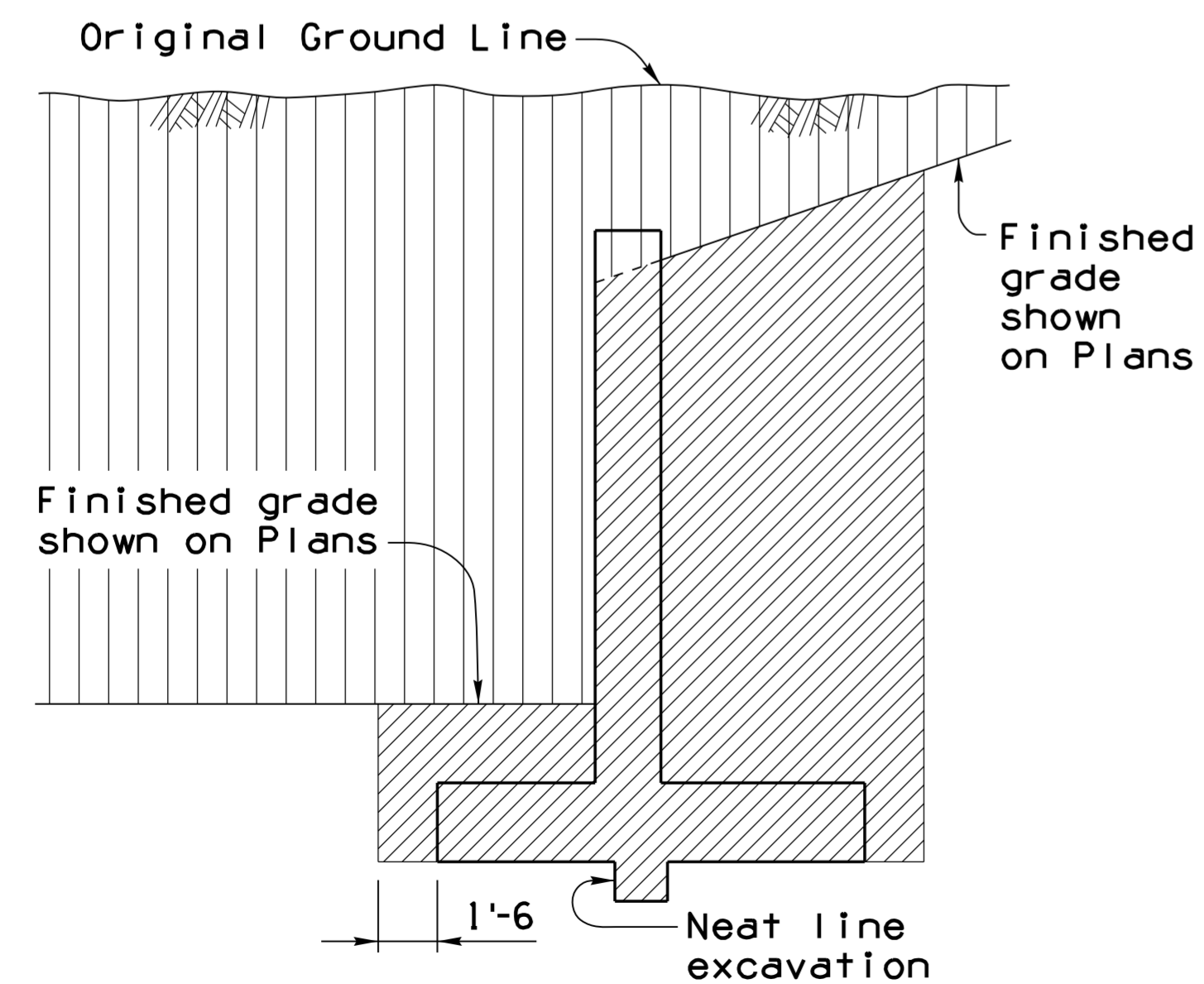
LEGEND

- Structural Excavation
- Roadway Excavation

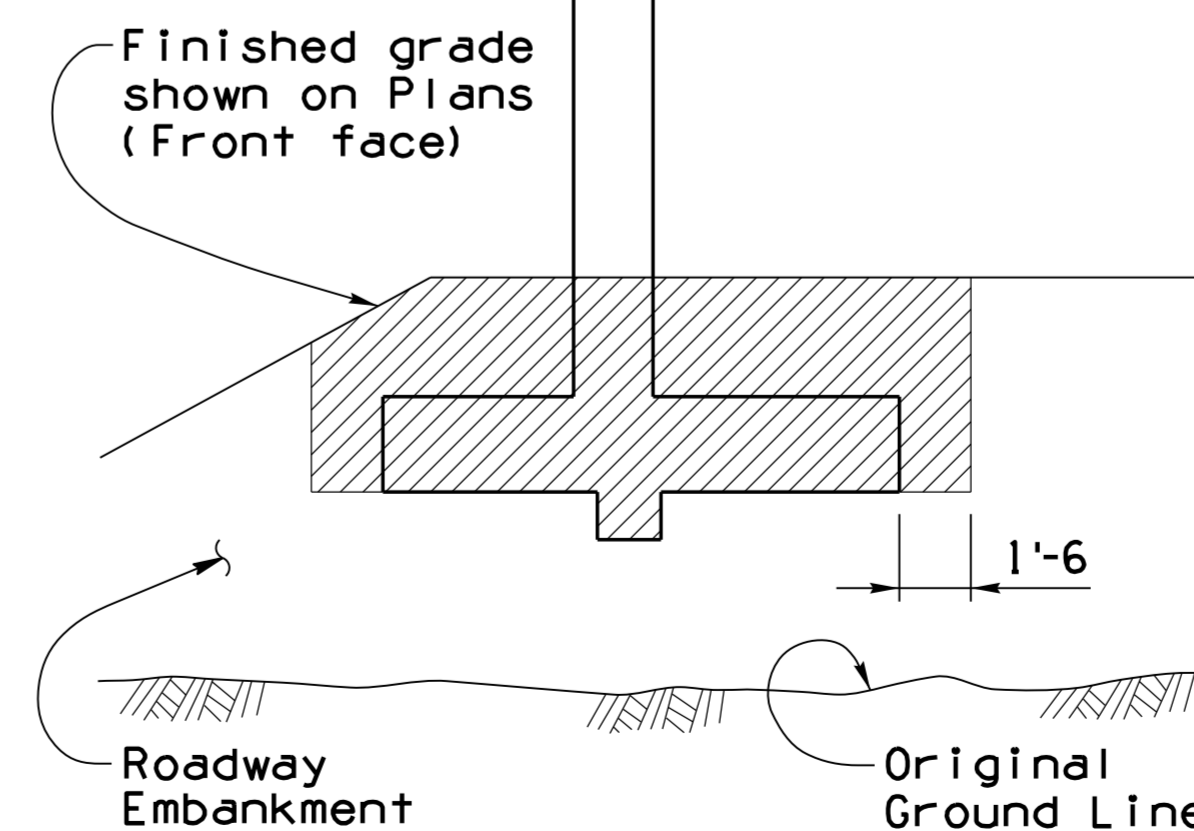
NOTES:

For structure foundations above original ground line, construct roadway embankment to top of berm or finished grade before structural excavation is made.

If no roadway excavation or embankment is involved, structural excavation shall be measured from the original ground line.



TYPICAL RETAINING WALL SECTIONS



DESIGN APPROVED <i>Shafiq U. Hasan</i>		ARIZONA DEPARTMENT OF TRANSPORTATION INFRASTRUCTURE DELIVERY AND OPERATIONS DIVISION BRIDGE GROUP STRUCTURE DETAIL	
APPROVED FOR DISTRIBUTION <i>Teon A. Nehme</i>		STRUCTURAL EXCAVATION PAYMENT LIMITS	
ROUTE	PROJECT NO.	FA NO.	DRAWING NO. SD 5.01
LOCATION			SHEET NO. OF