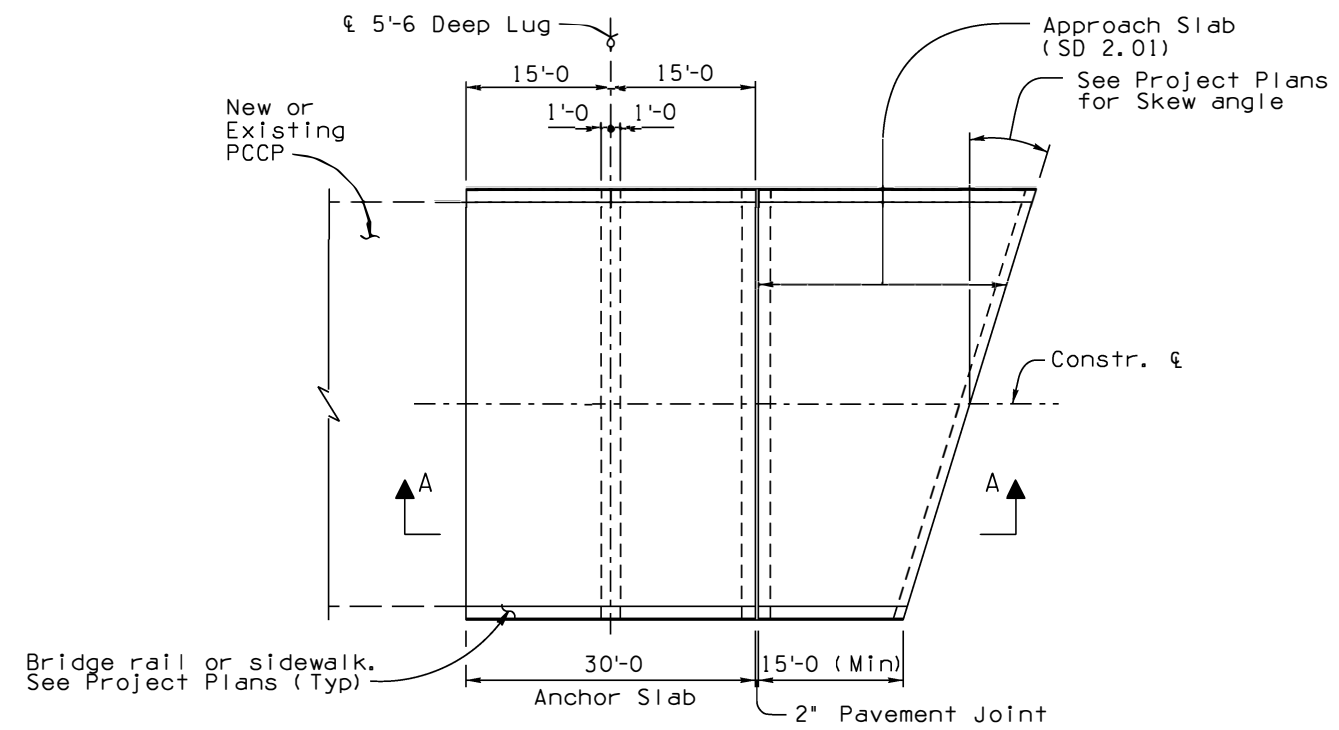


Note to Designer: Information presented in this Standard Drawing has been prepared in accordance with recognized engineering principles and is for general use. It should not be used for specific application without competent professional examination and verification of its suitability and applicability by a licensed professional engineer. Contents within the inner border line shall not be altered.



PLAN - TYPE 2 ANCHOR SLAB
 (For Pavement 300 Feet to 700 Feet in length)

Item	ANCHOR SLAB - TYPE 2
Item No.	6011373
Measurement	Square Foot

GENERAL NOTES:

Construction Specification - Arizona Department of Transportation Standard Specifications for Road and Bridge Construction, latest Edition.

Design Specifications - AASHTO LRFD Bridge Design Specifications, 8th Edition 2017.

All Concrete shall be Class "S" ($f'c = 4000$ psi).

Reinforcing steel shall conform to ASTM Specification A615. All reinforcing shall be furnished as Grade 60. All reinforcing shall be epoxy coated at locations above 4000 foot elevation or as specified in the project plans.

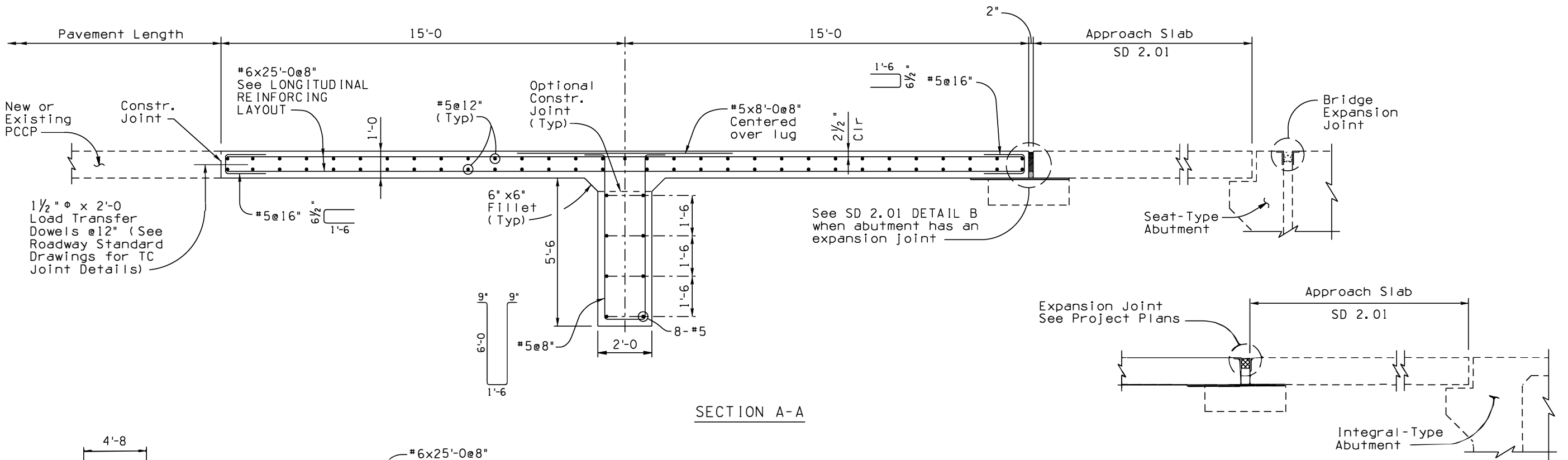
All bends and hooks shall meet the requirements of AASHTO Article 5.10. All bend dimensions for reinforcing steel shall be out-to-out of bars.

All placement dimensions for reinforcing steel shall be to center of bars unless noted otherwise.

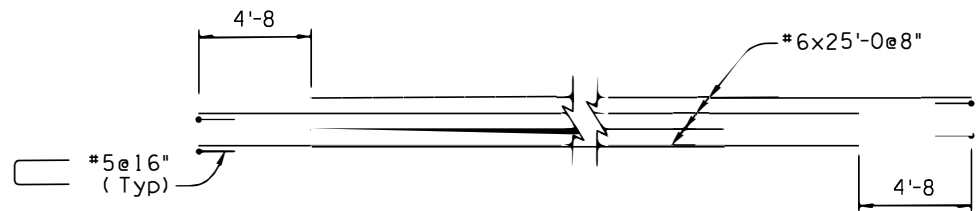
All reinforcing steel shall have 3 inch clear cover unless noted otherwise.

Anchor lugs shall be cast in precompacted roadway embankment or cast in forms and soil compacted to embankment requirements around lugs prior to casting the Anchor Slab.

Dimensions shall not be scaled from drawings.



SECTION A-A



LONGITUDINAL REINFORCING LAYOUT

ST-NO-RDS ENGINEER A. ALZUBI RECOMMENDED FOR -PPROV-L GROUP M-N-GER D. BENTON -PPROVED ST-NO-RDS COMMITTEE -APPROVED FOR DISTRIBUTION 08/23 D-TE	ARIZONA DEPARTMENT OF TRANSPORTATION INFRASTRUCTURE DELIVERY AND OPERATIONS DIVISION BRIDGE GROUP STANDARD DRAWING TYPE 2 ANCHOR SLAB DETAILS DR-WING NO. SD 2.03
--	---

PRIOR DISTRIBUTION D-TE 12/07