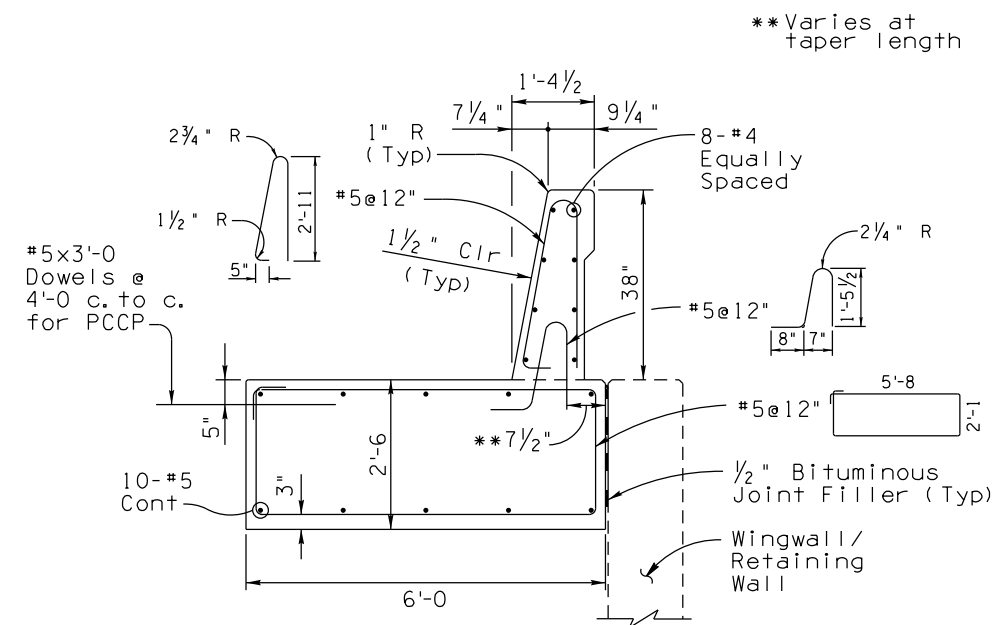
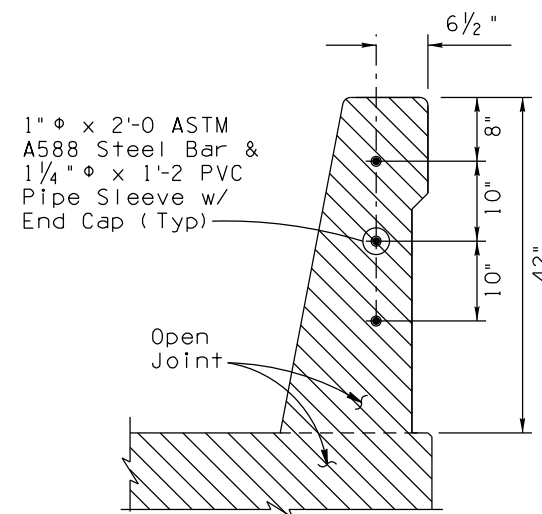


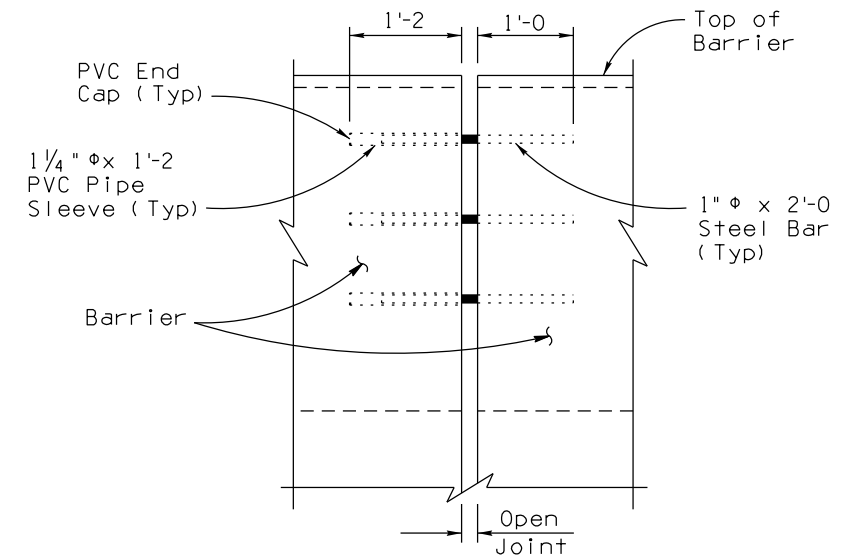
Note to Designer: The information presented in this Standard Drawing has been prepared in accordance with recognized engineering principles and is for general use. It should not be used for specific application without competent professional examination and verification of its suitability and applicability by a licensed professional engineer. Contents within this inner border line shall not be altered.



**CONTINUOUS BARRIER ON FOOTING**  
 BARRIER HEIGHT = 38"

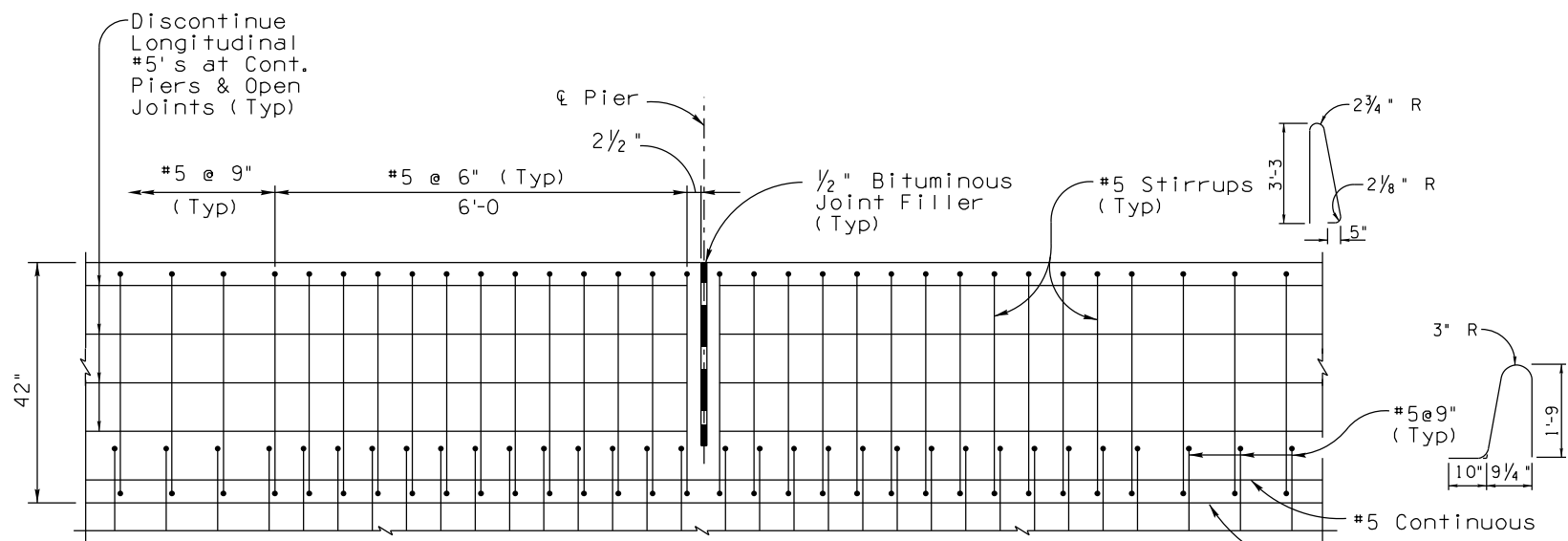


SECTION

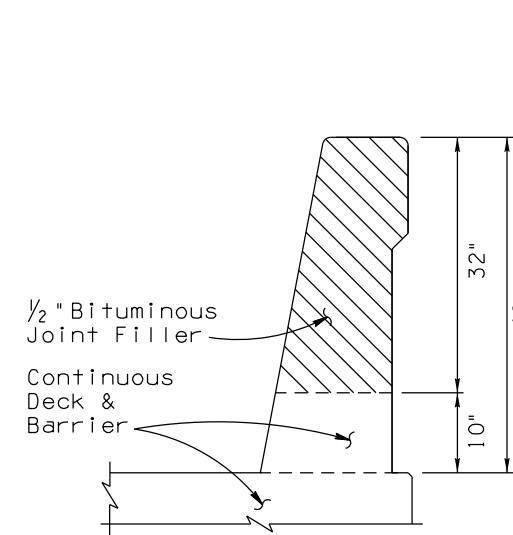


ELEVATION

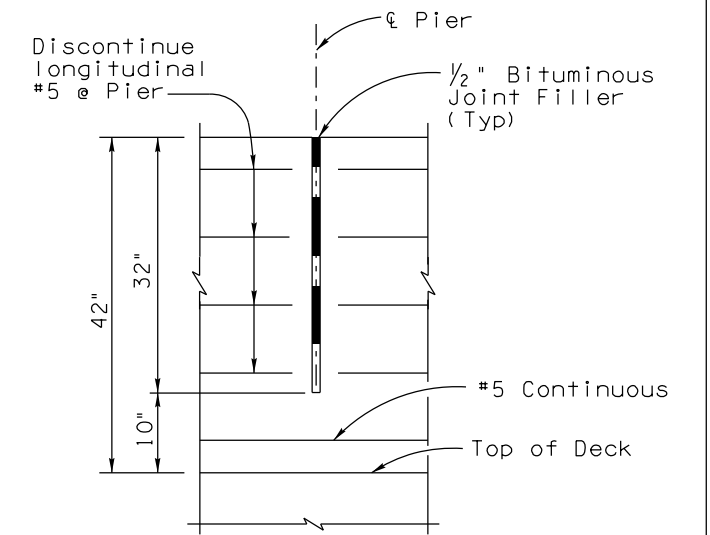
OPEN JOINT DETAILS AT EXPANSION JOINTS



**REINFORCEMENT AT OPEN JOINT SECTION**  
 AT CONTINUOUS PIERS ONLY



SECTION



ELEVATION

OPEN JOINT DETAILS AT CONTINUOUS PIERS ONLY

|   |   |                                    |
|---|---|------------------------------------|
| STANDARDS ENGINEER<br><b>A. ALZUBI</b>                          | ARIZONA DEPARTMENT OF TRANSPORTATION<br>INFRASTRUCTURE DELIVERY AND OPERATIONS DIVISION<br><b>BRIDGE GROUP STANDARD DRAWING</b> |                                    |
| RECOMMENDED FOR APPROVAL<br>GROUP MANAGER<br><b>D. EBERHART</b> | 42" SINGLE SLOPE BRIDGE CONCRETE<br>BARRIER AND TRANSITION  | DRAWING NO.<br>SD 1.11<br>(2 of 2) |
| APPROVED<br>STANDARDS COMMITTEE APPROVED FOR DISTRIBUTION       |   | 05/21<br>DATE                      |

PRIOR DISTRIBUTION DATE 01/20