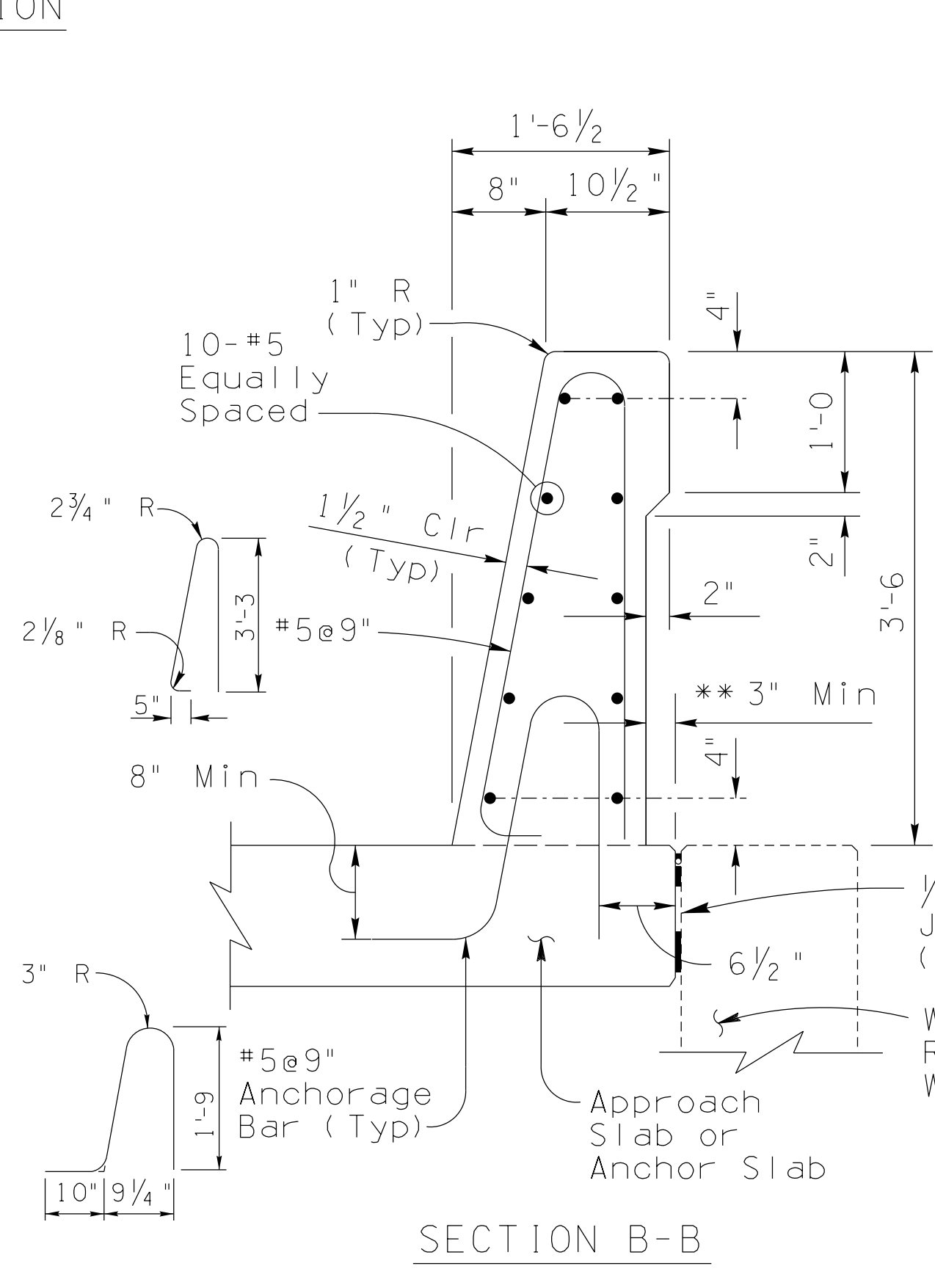
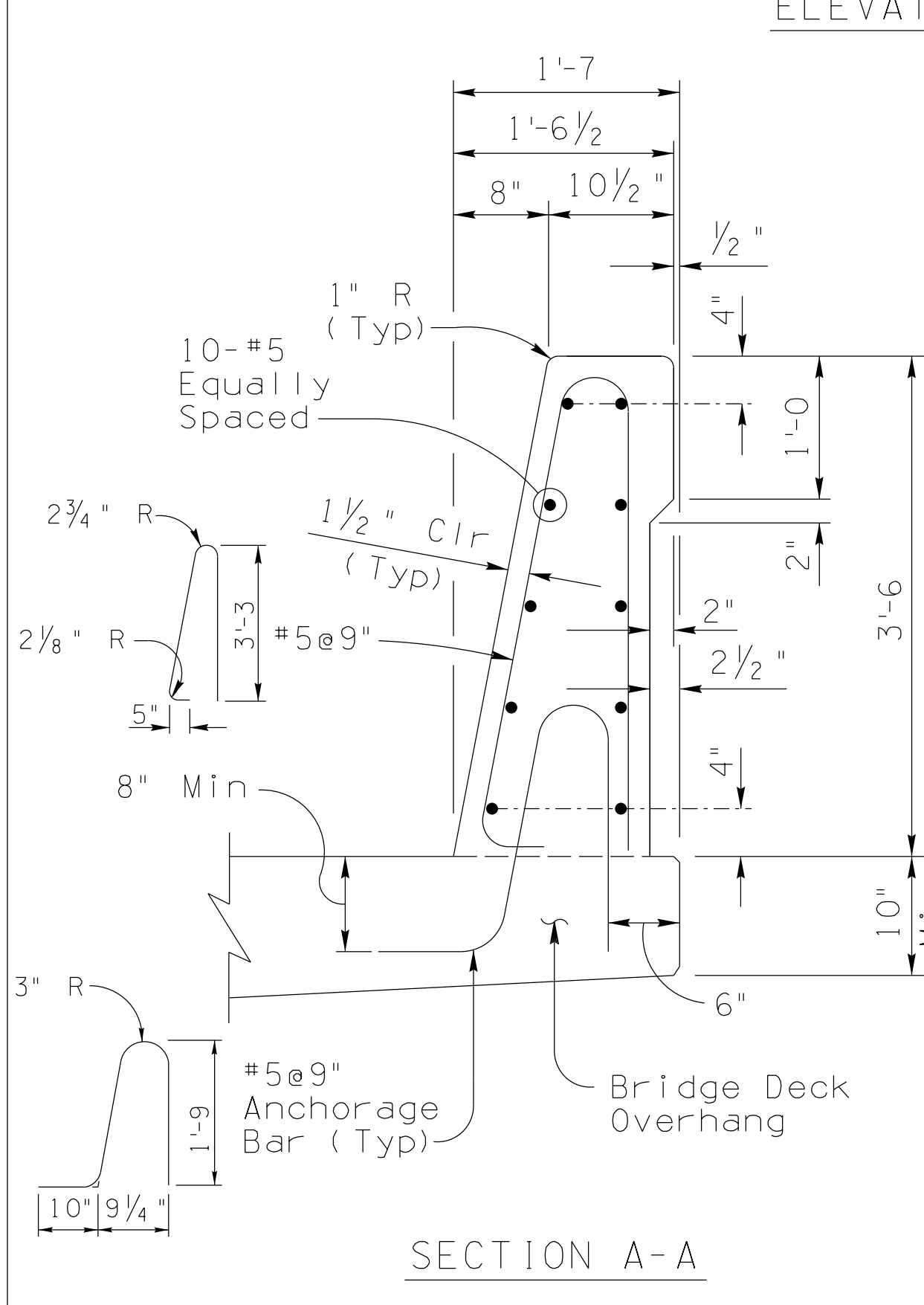
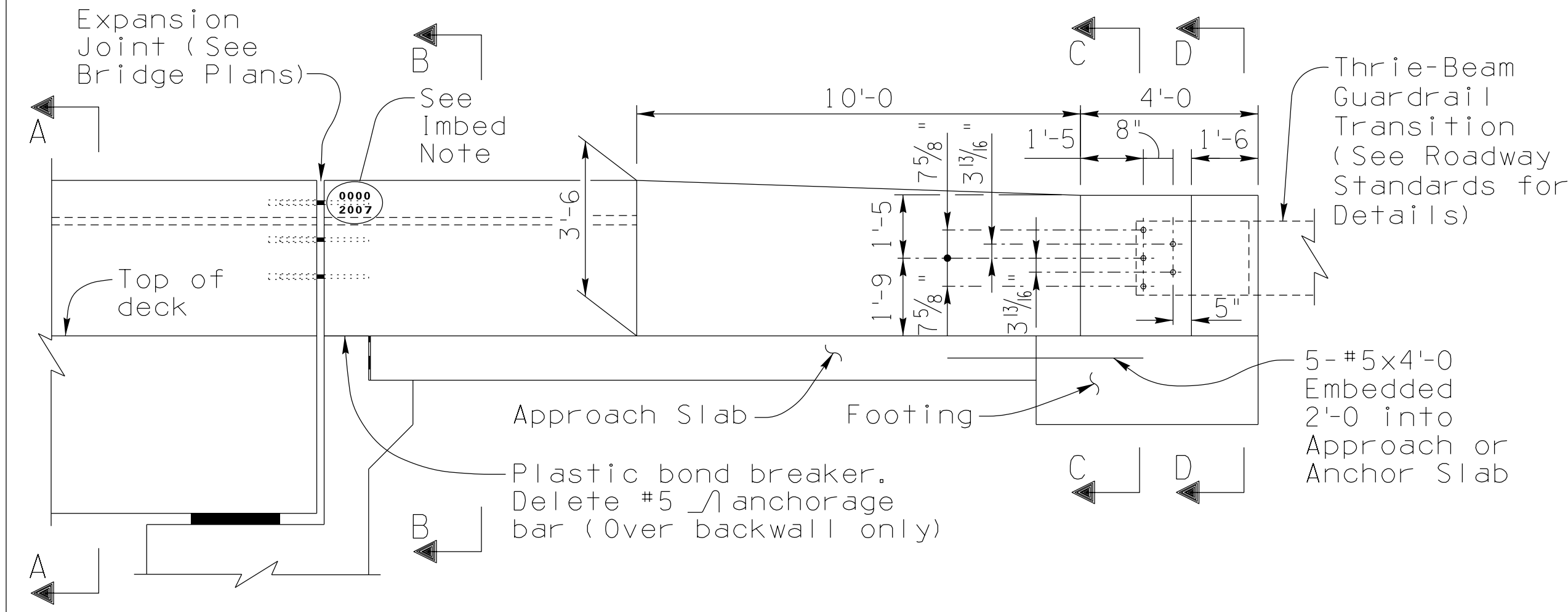
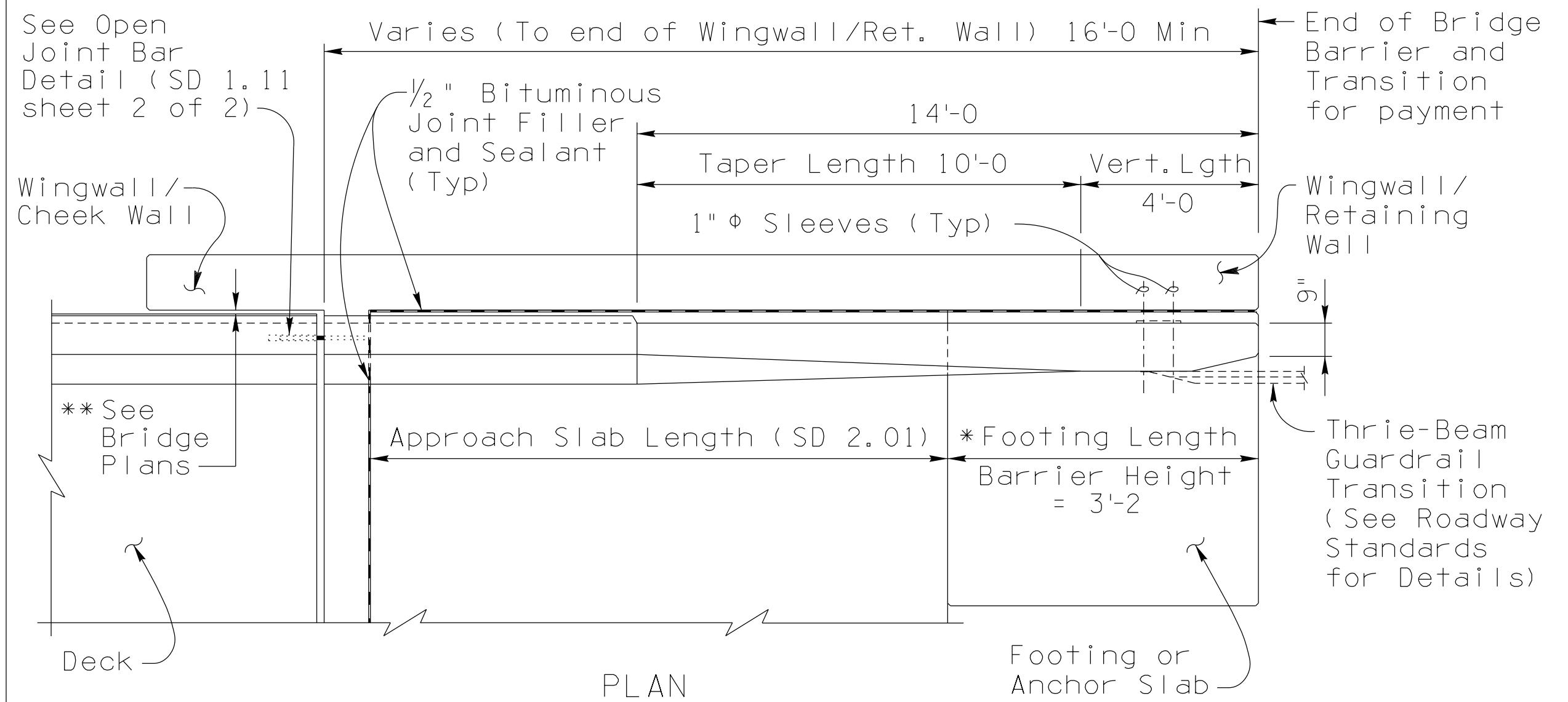
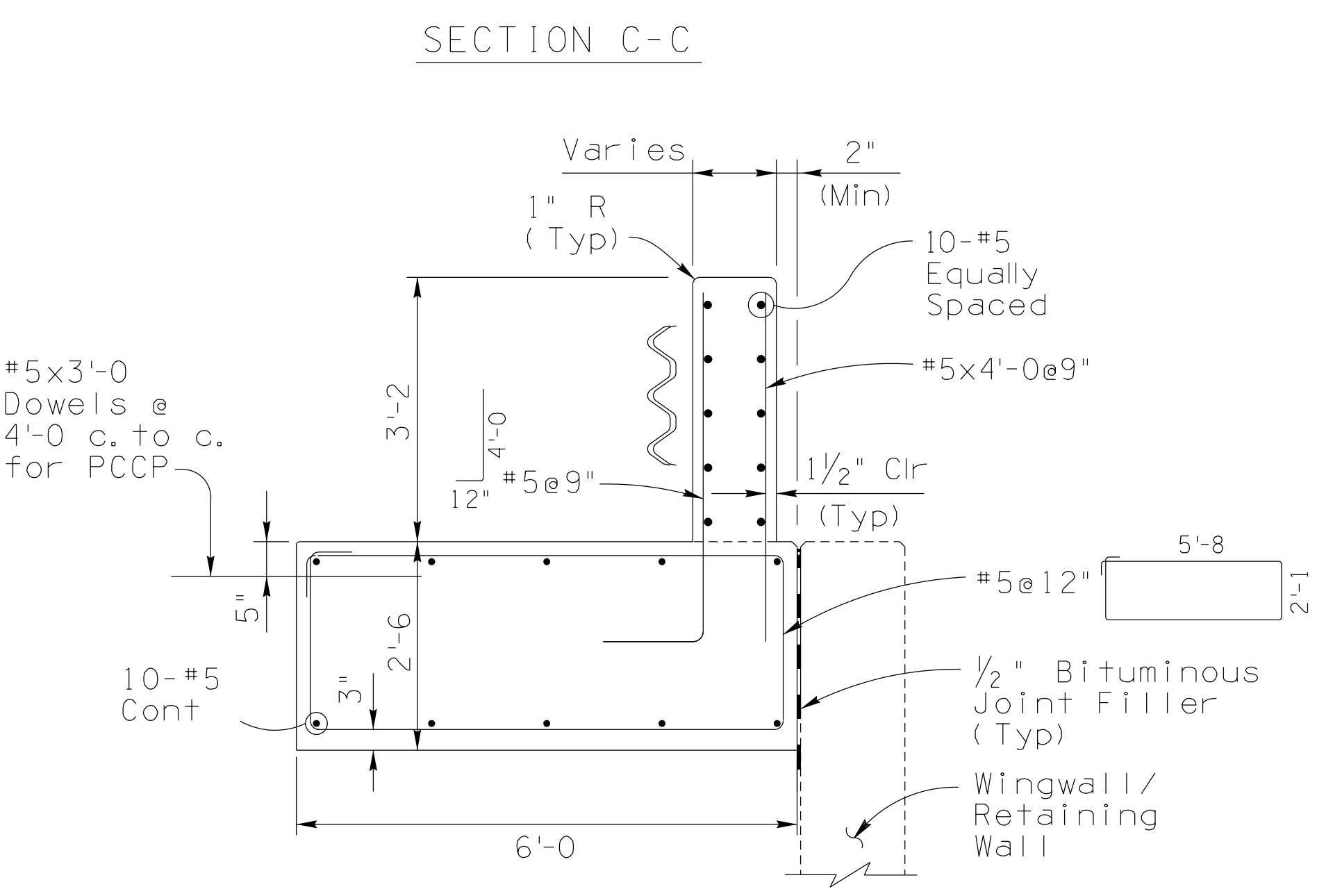
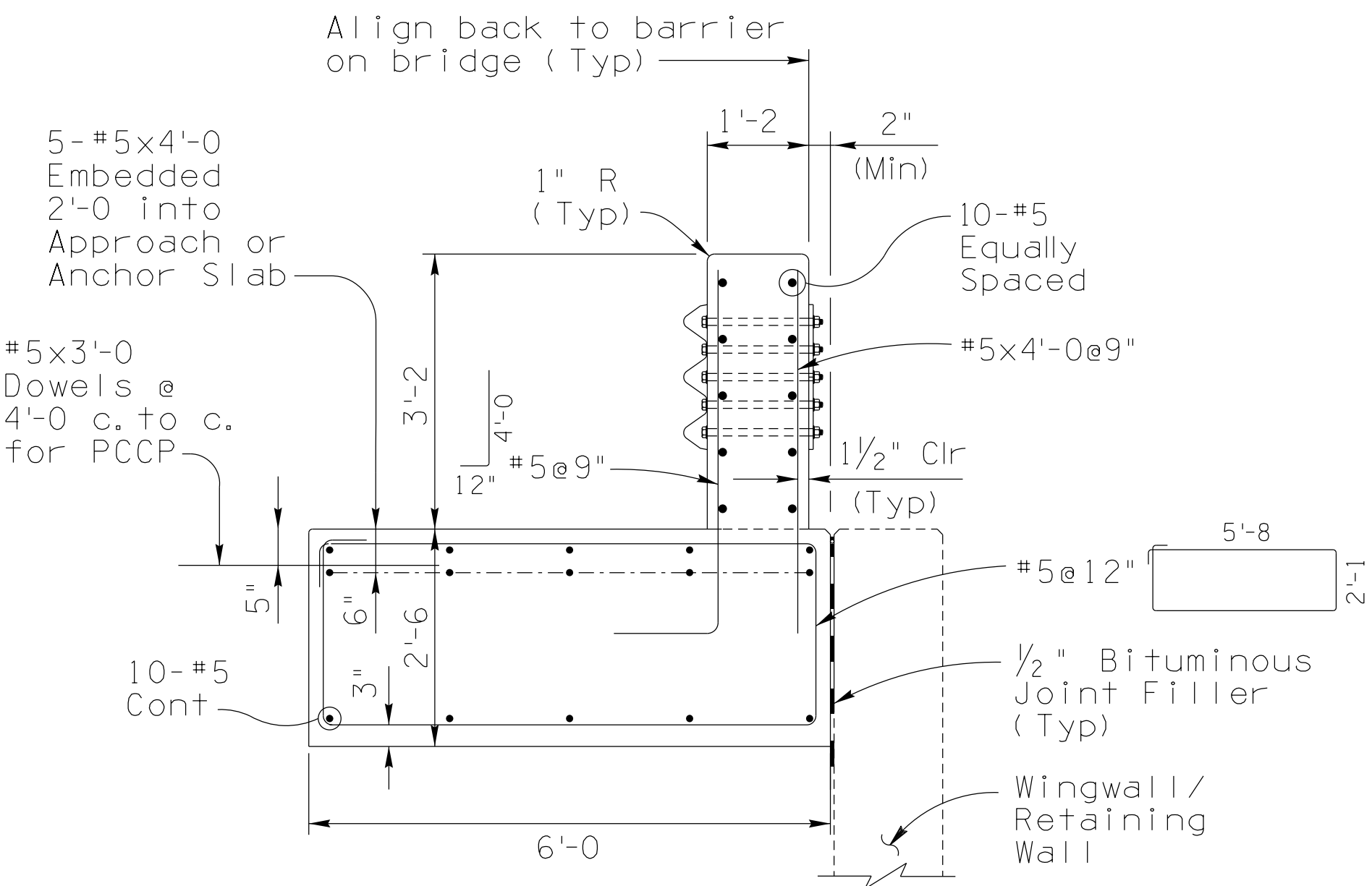


Note to Designer: The information presented in this Standard Drawing has been prepared in accordance with recognized engineering principles and is for general use. It should not be used for specific application without the approval of a professional engineer. Contents within this inner border line shall not be altered.



- * When using barrier on footing beyond the approach slab, the minimum Length of the barrier footing shall be 5'-0.
- * When concrete barrier on footing is being used for other applications, the minimum length of barrier on footing shall be 20'-0.



** A 1" bituminous joint filler thickness is assumed at the cheek wall. Verify the thickness from the bridge plans.

GENERAL NOTES:

Construction Specification - Arizona Department of Transportation Standard Specifications for Road and Bridge Construction, latest edition.

Design Specifications - AASHTO LRFD Bridge Design Specifications, 8th Edition 2017.

This barrier has been evaluated and approved to be of equal strength to barriers with like geometry, which were successfully crash tested to meet MASH 16 requirements for Test Level 5.

Design Loads:
 Dynamic Load (For barrier Design) = 160^k

Dynamic load is based on NCHRP 20-07(395) MASH Equivalency of NCHRP Report 350 - Approved Bridge Railings.

Equivalent Static Load (For footing design) = 28^k
 Footing design is based on NCHRP Report 663.

All Concrete shall be Class "S" (f'c = 4000 psi).

Reinforcing steel shall conform to ASTM Specification A615. All reinforcing shall be furnished as Grade 60. All reinforcing shall be epoxy coated at locations above an elevation of 4000 feet.

All bends and hooks shall meet the requirements of AASHTO LRFD Article 5.10. All bend dimensions for reinforcing steel shall be out-to-out of bars. All placement dimensions for reinforcing steel shall be to center of bars unless noted otherwise.

All reinforcing steel shall have 2 inch clear cover unless noted otherwise.

Concrete barriers on continuous superstructures shall have 1/2" bituminous joint filler in open joints over piers.

Embed 1/2", Bridge Number and Year Built, using 1 1/2" w x 2" h number impressions in concrete, located as shown at the approach end of the outside lane.

Anchorage bars and footing will be included in the pay item for the barrier (Item No. 6011151).

Omit bridge barrier transition when concrete barrier is continuous beyond the bridge.

Dimensions shall not be scaled from drawings.

AC OVERLAY NOTE:

No AC overlay will be allowed on the bridge deck when the 42" single slope concrete barrier is used.

01/20
 PRIOR DISTRIBUTION DATE

| | |
|-------------|---|
| Item | 42" Single Slope Bridge Concrete Barrier and Transition |
| Item No. | 6011151 |
| Measurement | Linear Foot |

| | |
|---|------------|
| STANDARDS ENGINEER | A. ALZUBI |
| RECOMMENDED FOR APPROVAL GROUP MANAGER | D. BENTON |
| APPROVED | |
| STANDARDS COMMITTEE APPROVED FOR DISTRIBUTION | 02/23 DATE |

| | |
|---|------------------------------------|
| ARIZONA DEPARTMENT OF TRANSPORTATION INFRASTRUCTURE DELIVERY AND OPERATIONS DIVISION BRIDGE GROUP STANDARD DRAWING | |
| 42" SINGLE SLOPE BRIDGE CONCRETE BARRIER AND TRANSITION | DRAWING NO. SD 1.11 (1 of 2) |