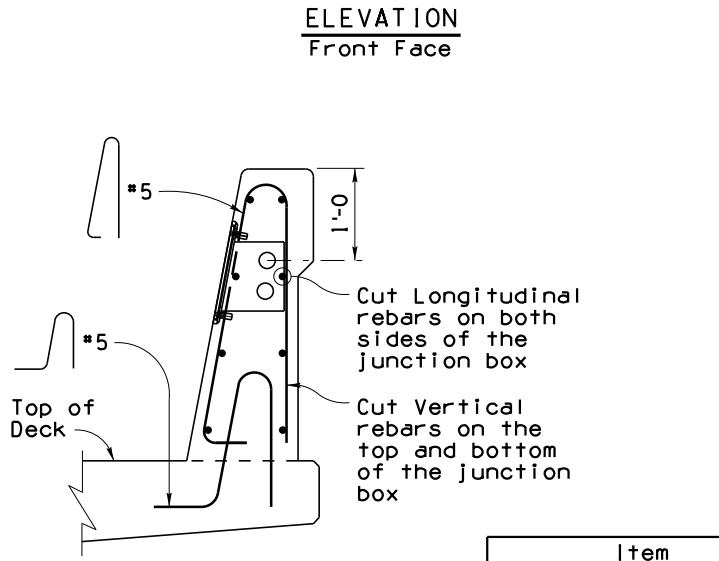
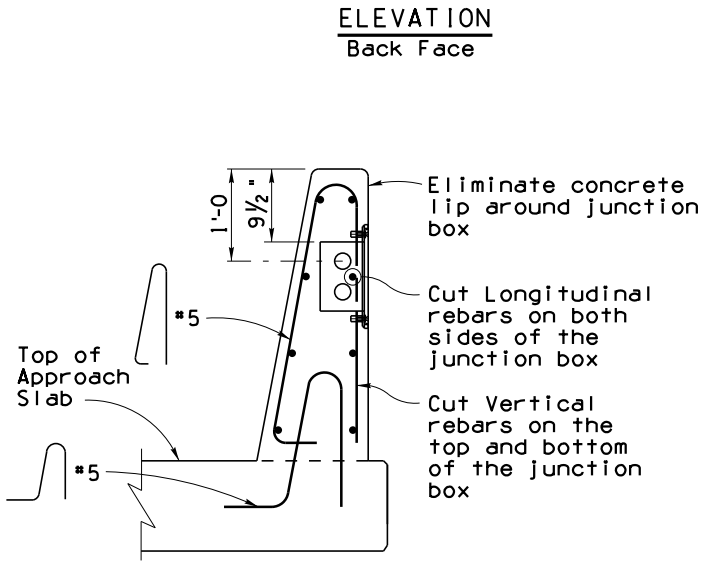
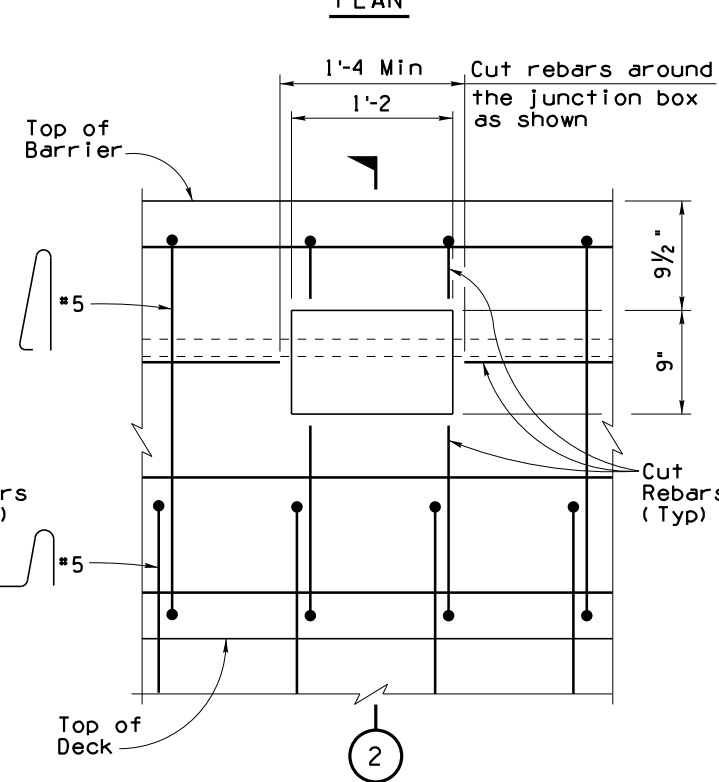
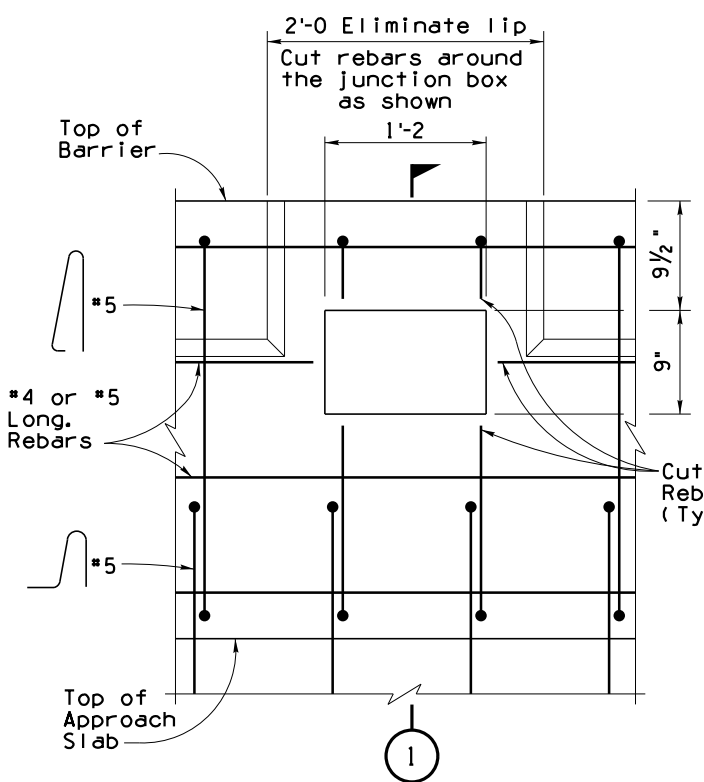
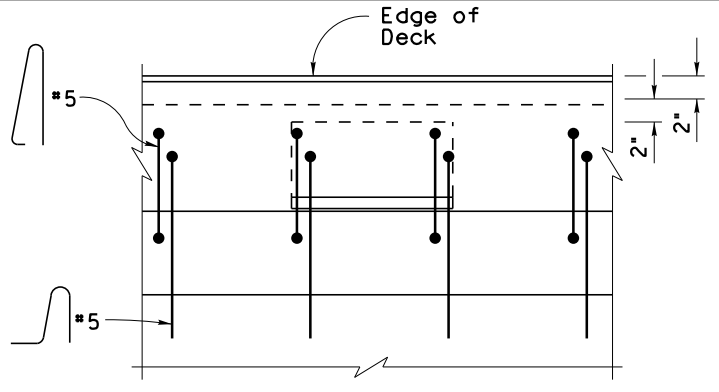
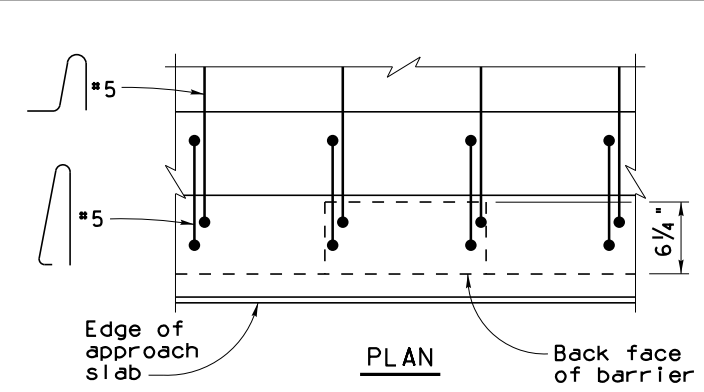


Note to Designer: The information presented in this Standard Drawing has been prepared in accordance with recognized engineering principles and is for general use. It should not be used for specific application without competent professional examination and verification of its suitability and applicability by a licensed professional engineer. Contents within the inner border line shall not be altered.

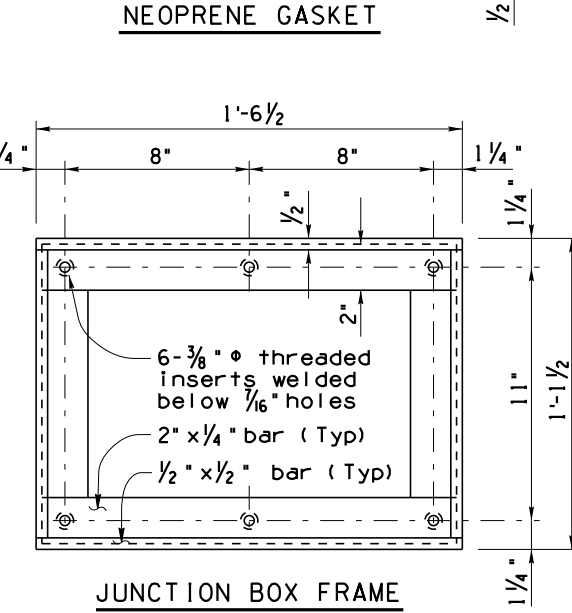
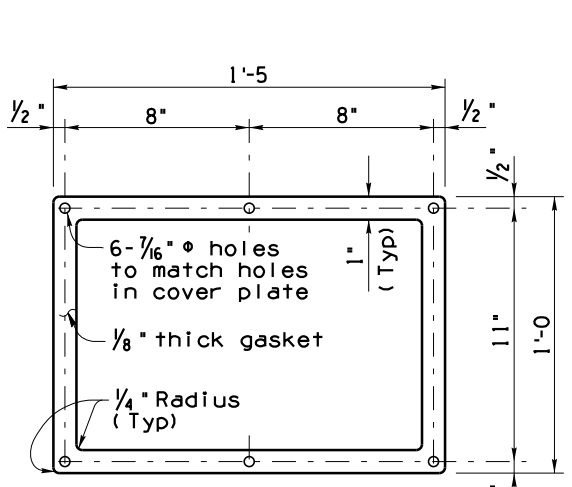
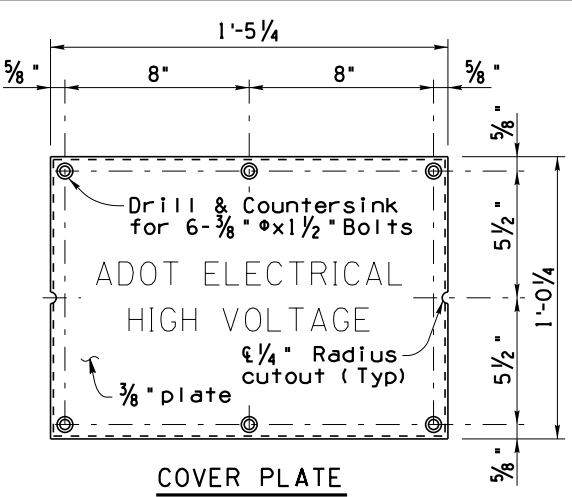
PRIOR DISTRIBUTION DATE 04/10



TYPE I JUNCTION BOX
At Approach Transition ①

TYPE II JUNCTION BOX
On Bridge ②

Item	Item No.	Measurement
Type I Junction Box	7320475	Each
Type II Junction Box	7320476	Each



GENERAL NOTES:

Construction Specification - Arizona Department of Transportation Standard Specifications for Road and Bridge Construction, latest Edition.

Design Specifications - AASHTO LRFD Bridge Design Specifications, 8th Edition 2017.

Structural steel shall conform to ASTM A36.

All bolts shall conform to ASTM A307. Threaded inserts shall be loop type (U.N.C. thread).

All bolts, nuts and washers shall be galvanized in accordance with ASTM A153. All other steel shall be galvanized after fabrication in accordance with ASTM A123.

Chamfer all bottom edges of cover plate 1/8" x 45°.

Cover plate shall have 1" letters embedded 1/8" to say: "ADOT ELECTRICAL HIGH VOLTAGE".

All welding shall conform to the requirements of the American Welding Society, ANSI/AASHTO/AWS D1.5 Bridge Welding Code, latest Edition.

Dimensions shall not be scaled from drawings.

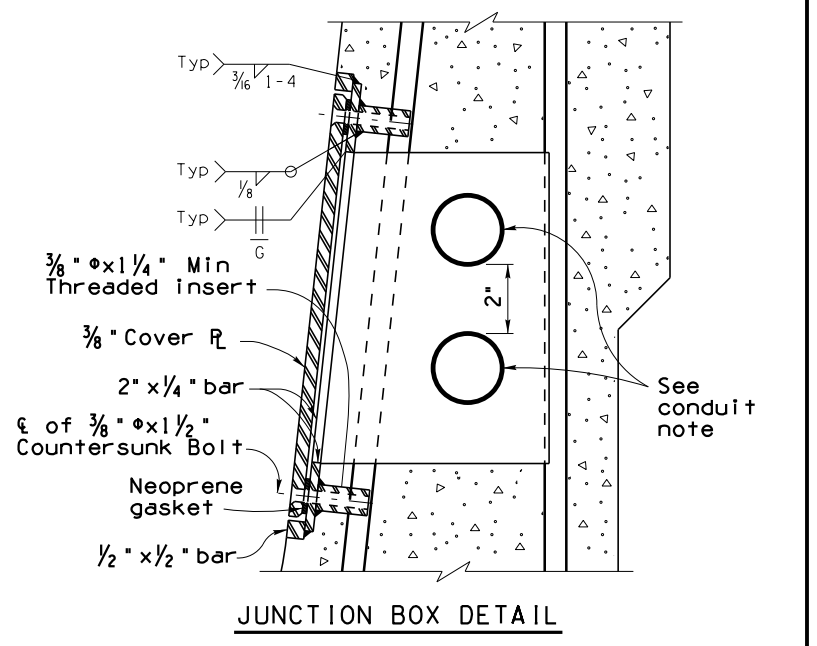
Conduit placement in bridge barrier requires pre-approval by Bridge Group.

JUNCTION BOX NOTE:

Junction Box is shown for 38" Single Slope Bridge Concrete Barrier. Details are similar for the 42" Single Slope Barrier.

CONDUIT NOTE:

A maximum of three 2-inch or two 3-inch diameter conduits will be allowed. No other configurations will be allowed.



STANDARDS ENGINEER A. ALZUBI	ARIZONA DEPARTMENT OF TRANSPORTATION INFRASTRUCTURE DELIVERY AND OPERATIONS DIVISION BRIDGE GROUP STANDARD DRAWING	DRAWING NO. SD 1.30
RECOMMENDED FOR APPROVAL GROUP MANAGER D. EBERHART		
APPROVED STANDARDS COMMITTEE APPROVED FOR DISTRIBUTION	BARRIER JUNCTION BOX	
DATE 01/20		