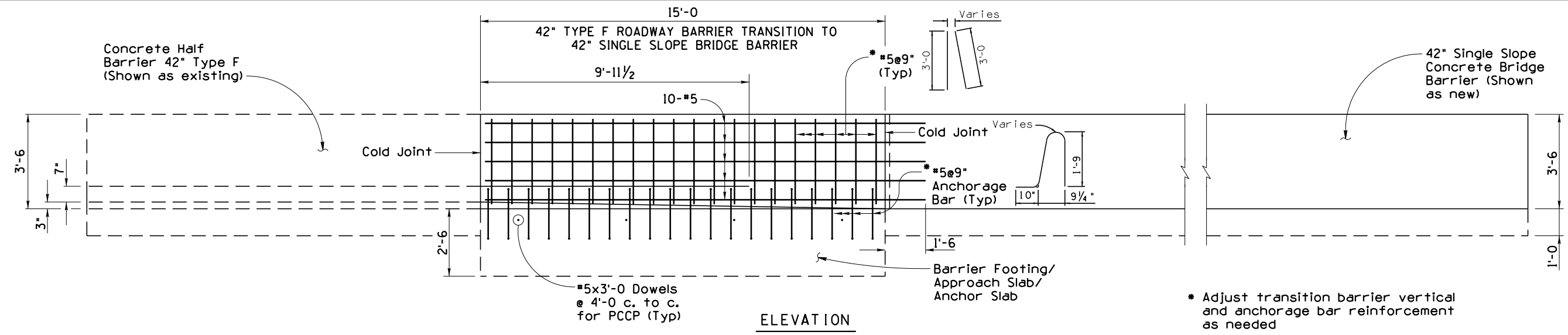
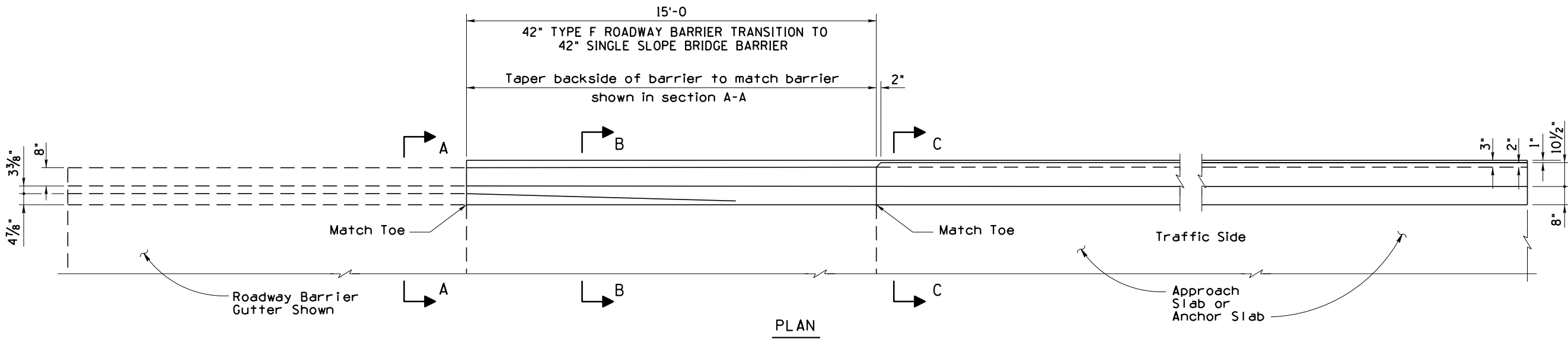


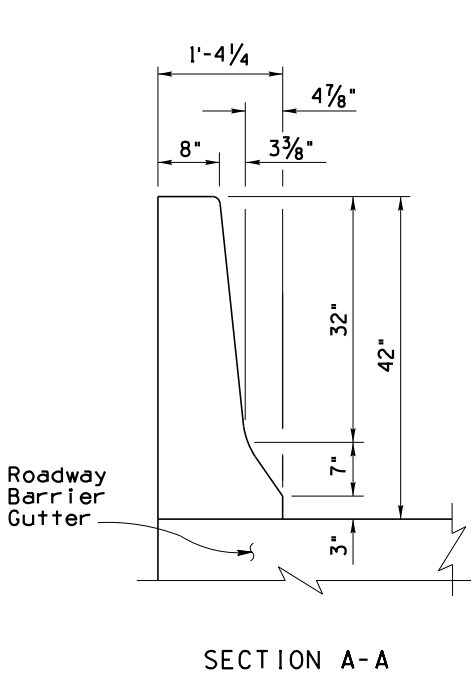
Note to Designer: The information presented in this Standard Drawing has been prepared in accordance with recognized engineering principles and is for general use. It should not be used for specific application without competent professional examination and verification of its suitability and applicability by a licensed professional engineer. Contents within the inner border line shall not be altered.



ELEVATION

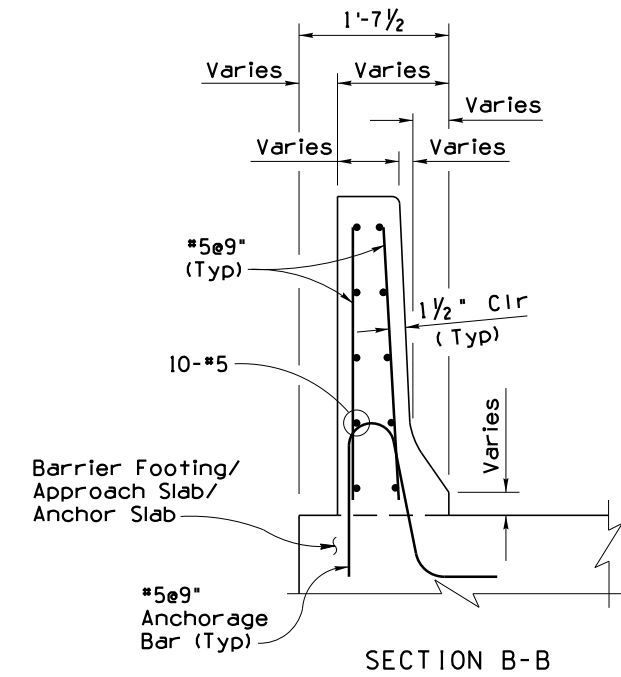


PLAN

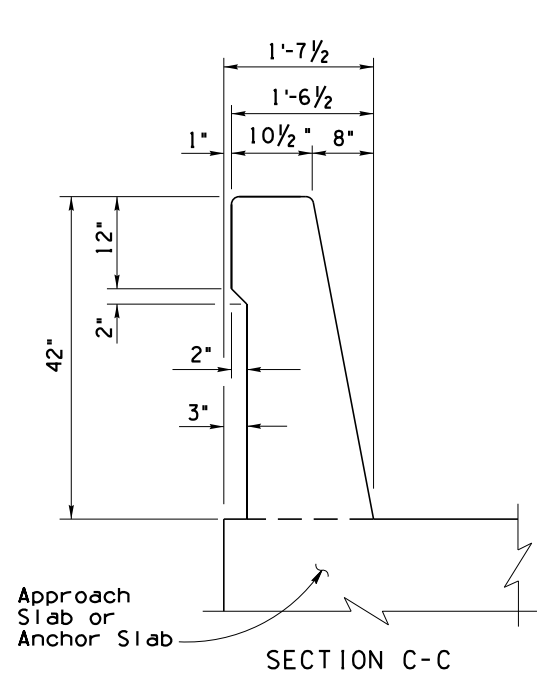


SECTION A-A

See Roadway Standards for reinforcement



SECTION B-B



SECTION C-C

See SD 1.11 (1 of 2) for reinforcement

Item	42" Type F Roadway Barrier Transition To 42" Single Slope Bridge Barrier
Item No.	6011144
Measurement	Linear Foot

STANDARDS ENGINEER
A. ALZUBI
 RECOMMENDED FOR APPROVAL
 GROUP MANAGER
D. EBERHART
 APPROVED
 STANDARDS COMMITTEE APPROVED FOR DISTRIBUTION 01/20
 DATE

ARIZONA DEPARTMENT OF TRANSPORTATION
 INFRASTRUCTURE DELIVERY AND OPERATIONS DIVISION
 BRIDGE GROUP STANDARD DRAWING
 42" TYPE F ROADWAY BARRIER
 TRANSITION TO 42" SINGLE
 SLOPE BRIDGE BARRIER
 DRAWING NO.
 SD 1.22