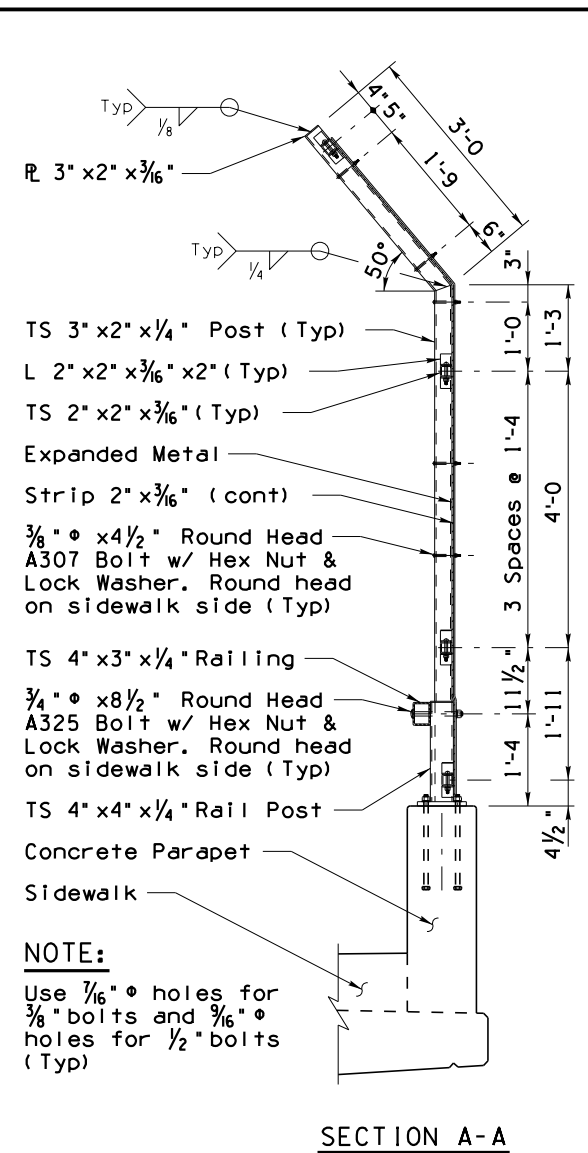
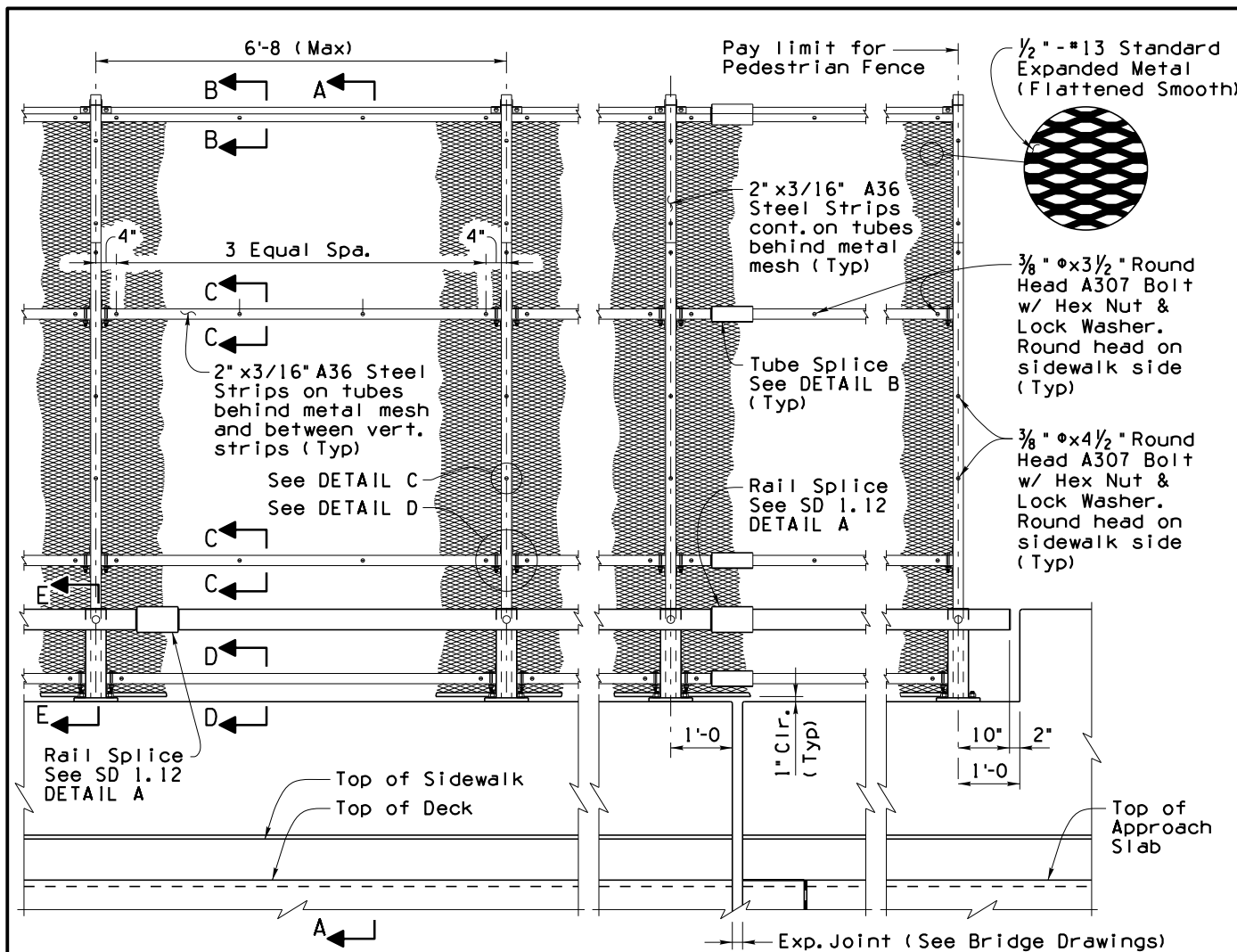
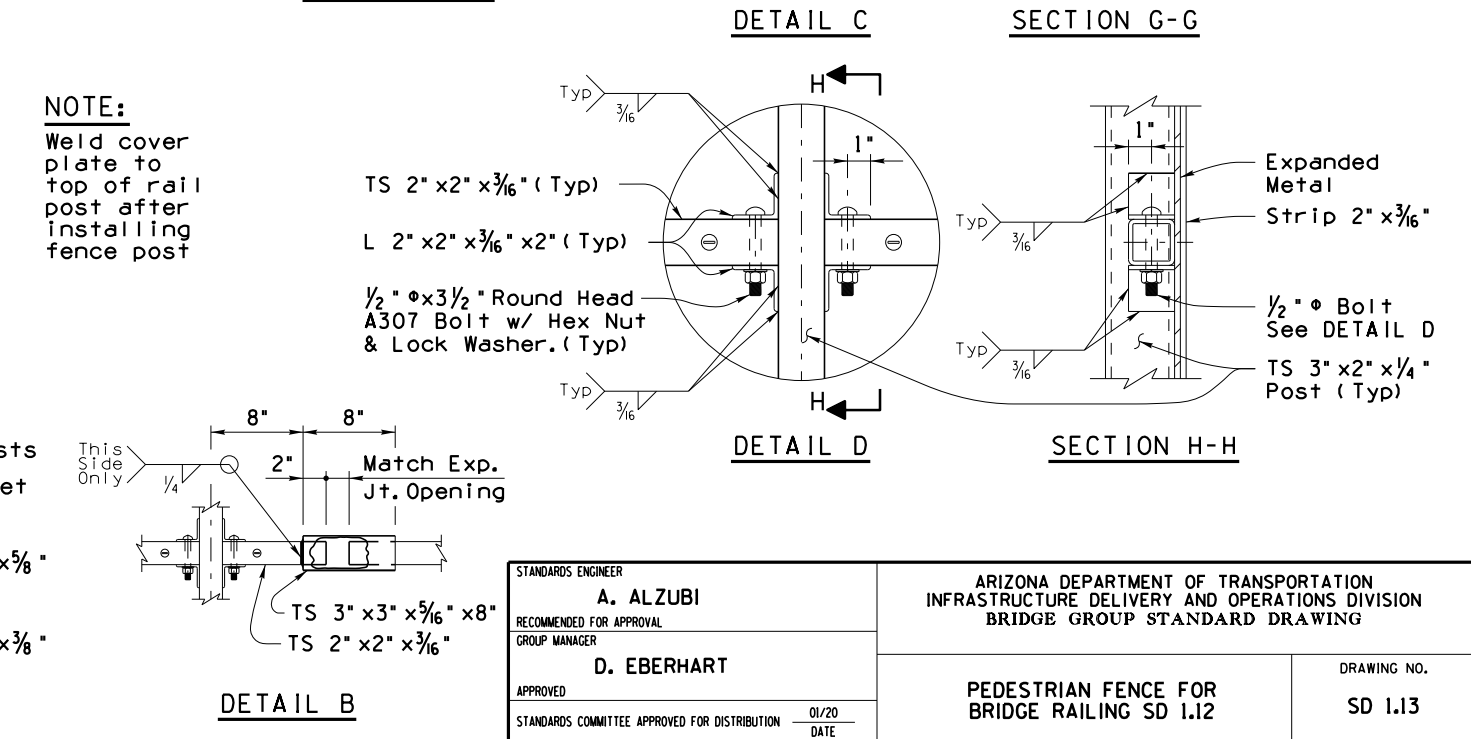
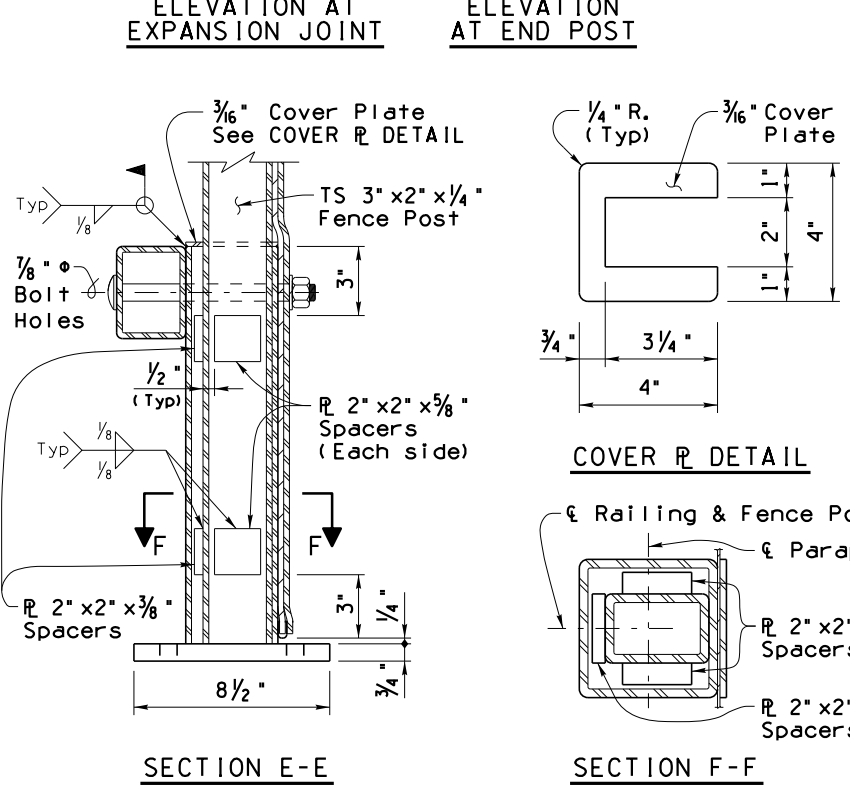
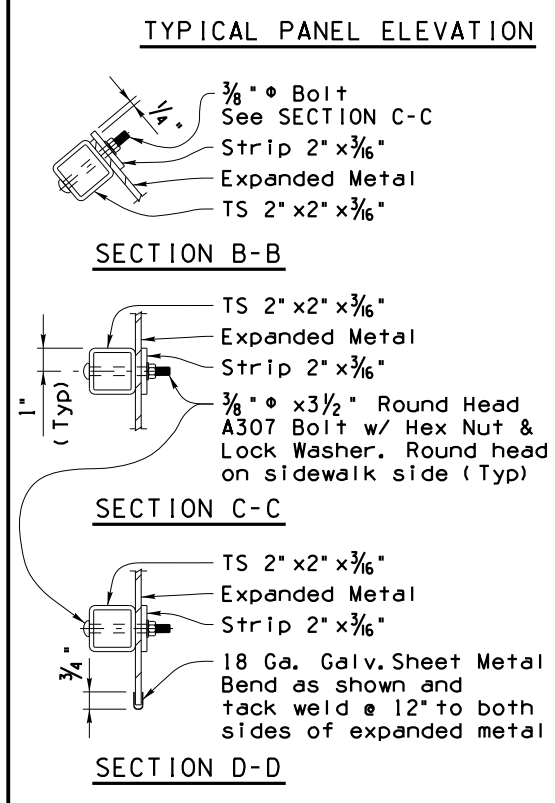


Note to Designer: The information presented in this Standard Drawing has been prepared in accordance with recognized engineering principles and is for general use. It should not be used for specific application without competent professional examination and verification of its suitability and applicability by a licensed professional engineer. Contents within the inner border line shall not be altered.



GENERAL NOTES:
 Construction Specification - Arizona Department of Transportation Standard Specifications for Road and Bridge Construction, latest Edition.
 Design Specifications - AASHTO LRFD Bridge Design Specifications, 8th Edition 2017.
 Structural tubing (TS) shall be ASTM A500 Grade B.
 Expanded metal shall conform to ASTM F1267 Type II, Class 2, Grade A. Expanded metal shall be flattened smooth (No sharp edges).
 All other structural steel shall conform to ASTM A36 unless noted otherwise.
 All fence components and hardware shall be Galvanized.
 All welding shall conform to the requirements of the American Welding Society, ANSI/AASHTO/AWS D1.5 Bridge Welding Code, latest Edition.
 See Bridge Drawings for location and length of pedestrian fence.
 See SD 1.12 for details of concrete parapet, sidewalk, railing and applicable notes.
 Dimensions shall not be scaled from drawings.
 Payment for PEDESTRIAN FENCE is included in the pay item for COMBINATION PEDESTRIAN-TRAFFIC BRIDGE RAILING (SD 1.12) (Item No. 6011132).



STANDARDS ENGINEER A. ALZUBI	ARIZONA DEPARTMENT OF TRANSPORTATION INFRASTRUCTURE DELIVERY AND OPERATIONS DIVISION BRIDGE GROUP STANDARD DRAWING	DRAWING NO. SD 1.13
RECOMMENDED FOR APPROVAL GROUP MANAGER D. EBERHART		
APPROVED STANDARDS COMMITTEE APPROVED FOR DISTRIBUTION	DATE 01/20	PEDESTRIAN FENCE FOR BRIDGE RAILING SD 1.12