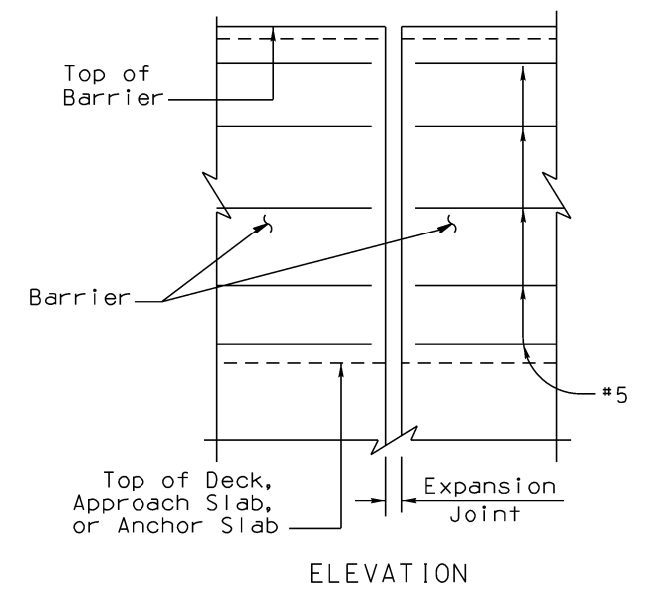
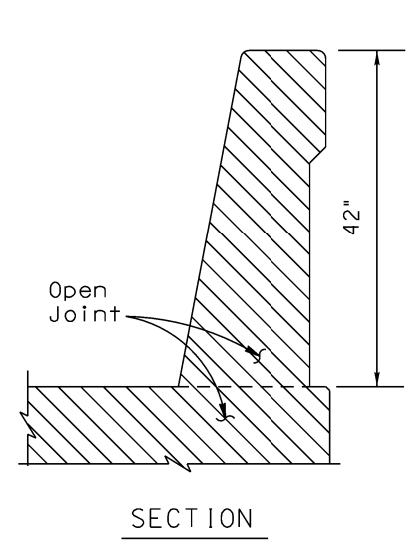
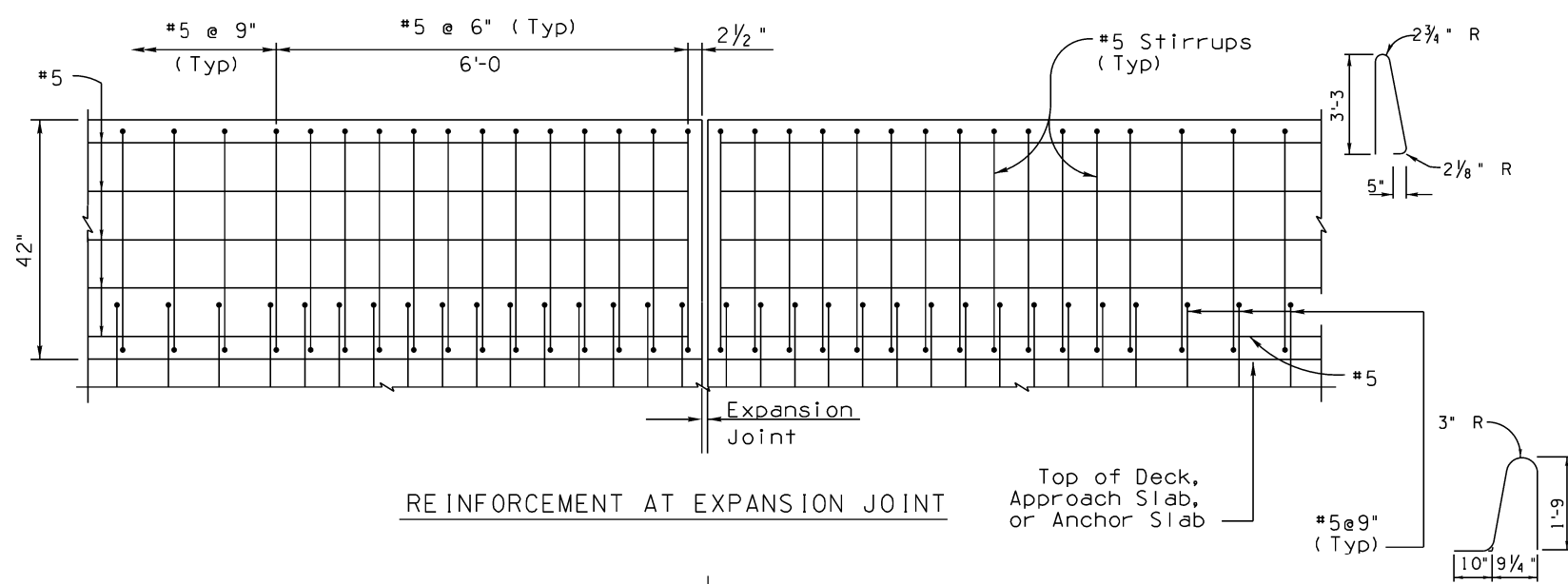
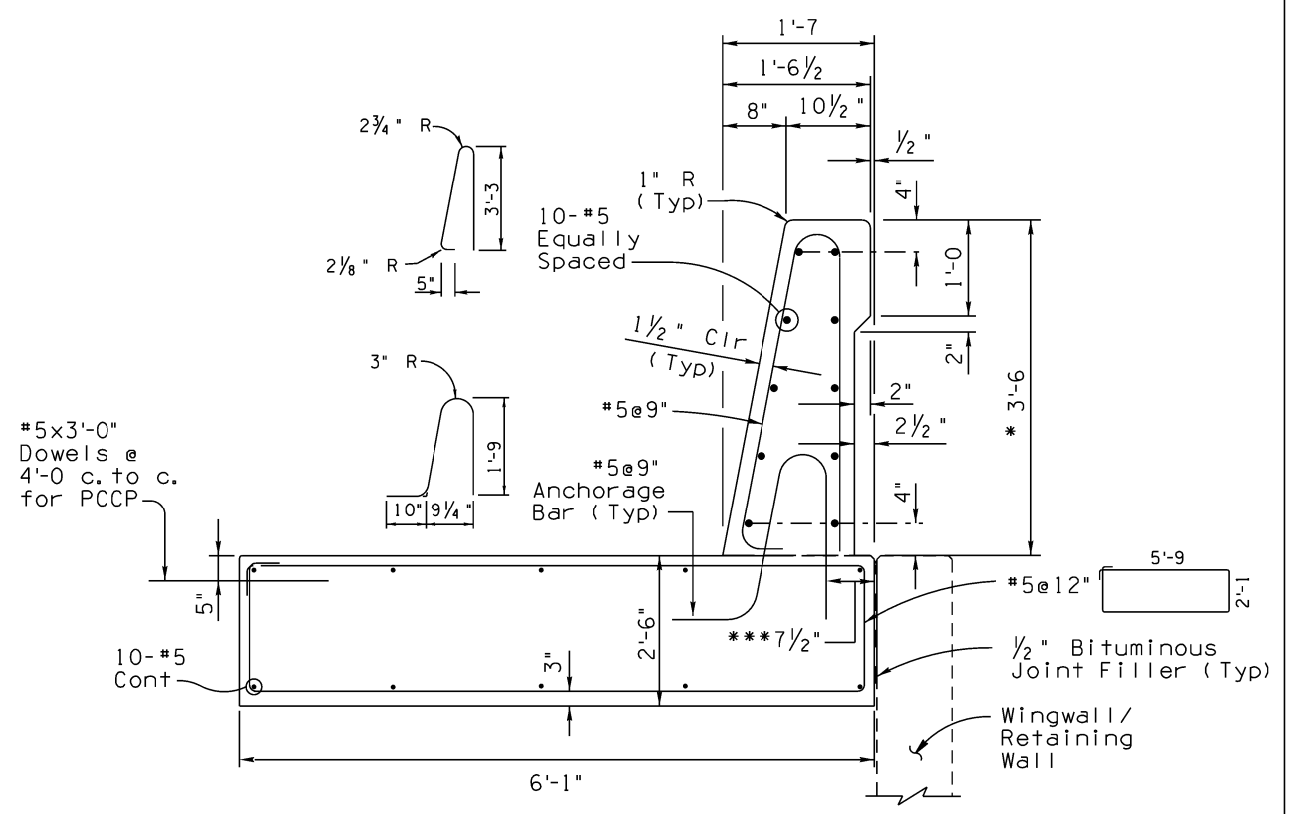
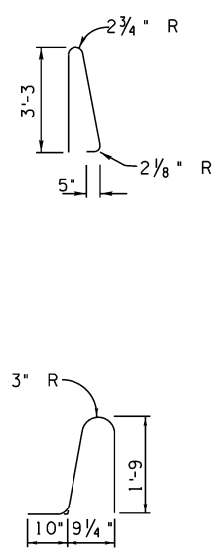
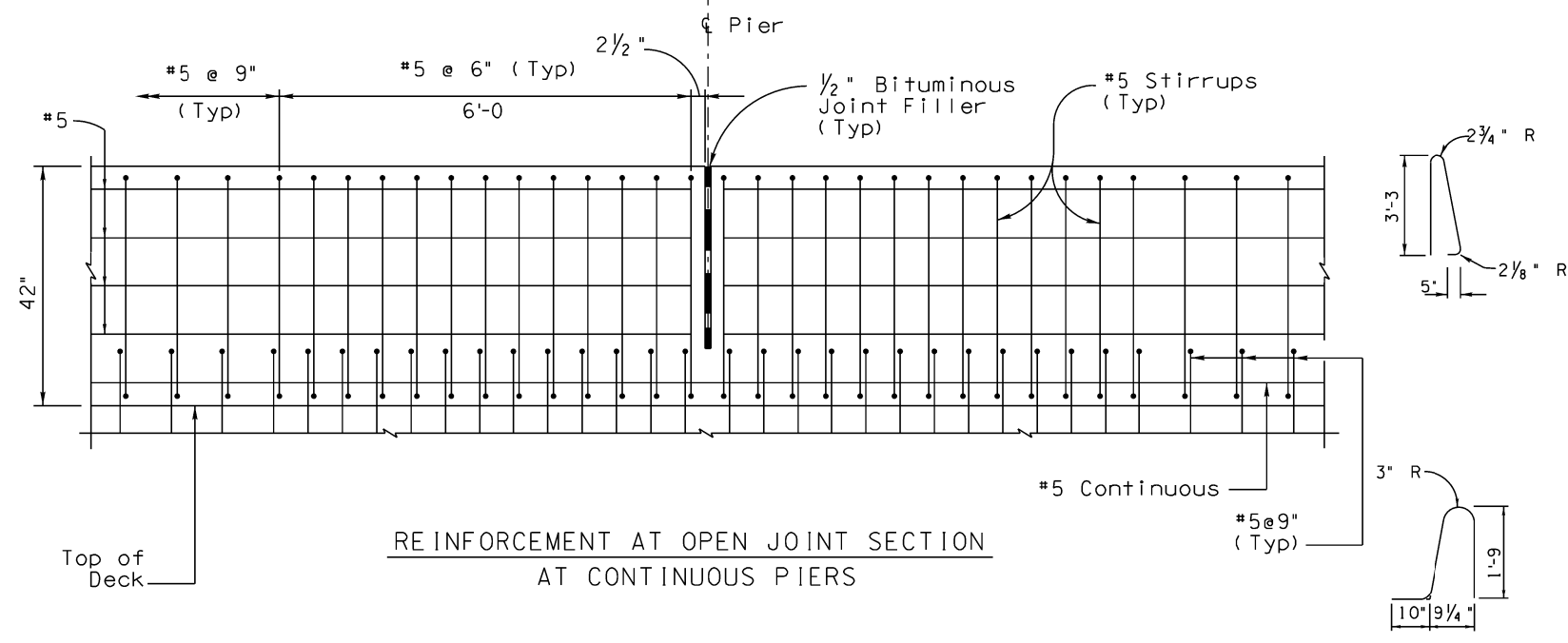


Note to Designer: The information presented in this Standard Drawing has been prepared in accordance with recognized engineering principles and is for general use. It should not be used for specific application without competent professional examination and verification of its suitability and applicability by a licensed professional engineer. Contents within the inner border line shall not be altered.
 PRIOR DISTRIBUTION DATE 05/21

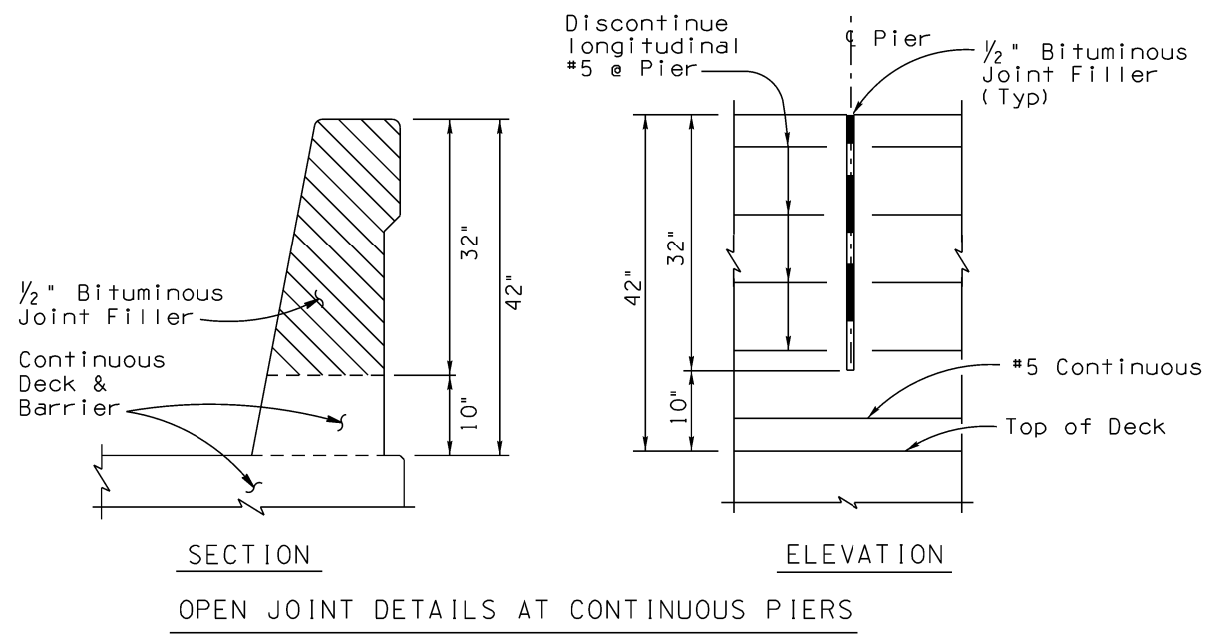


OPEN JOINT DETAILS AT EXPANSION JOINTS



* When using barrier on footing beyond the approach slab, or anchor slab, the minimum length of the barrier footing shall be 5'-0."

* When concrete barrier on footing is being used for other applications, the minimum length of barrier on footing shall be 23'-0."



STANDARDS ENGINEER B. SINGH	ARIZONA DEPARTMENT OF TRANSPORTATION INFRASTRUCTURE DELIVERY AND OPERATIONS DIVISION BRIDGE GROUP STANDARD DRAWING	
RECOMMENDED FOR APPROVAL GROUP MANAGER D. BENTON	42" SINGLE SLOPE BRIDGE CONCRETE BARRIER AND TRANSITION	
APPROVED	STANDARDS COMMITTEE APPROVED FOR DISTRIBUTION	DRAWING NO. SD 1.11 (2 of 2)
	09/24 DATE	