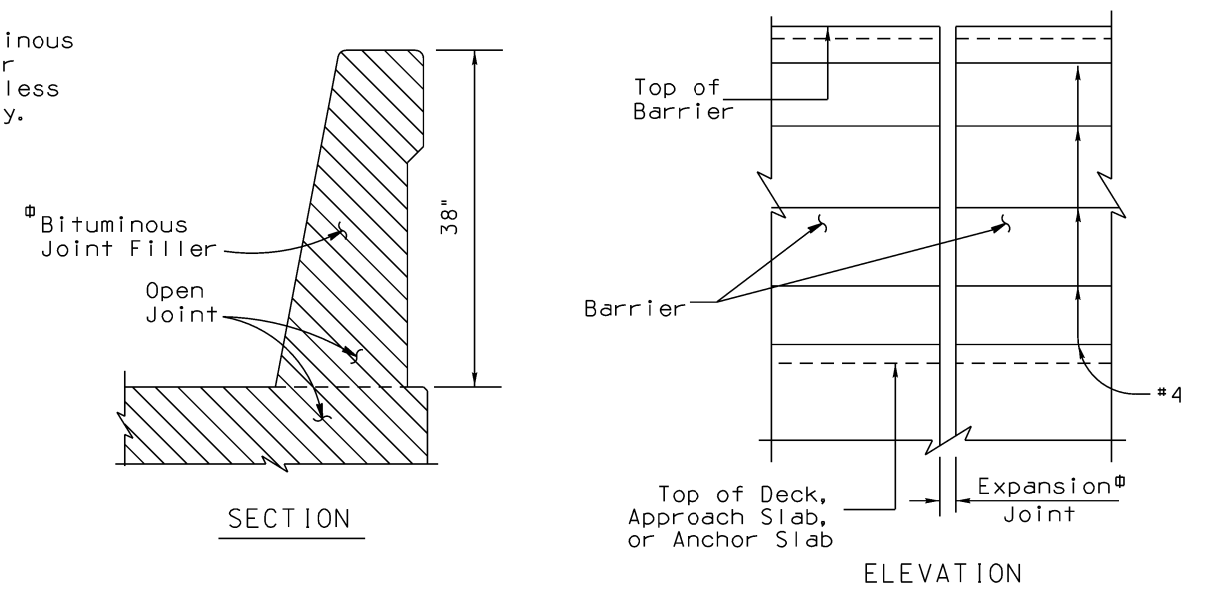
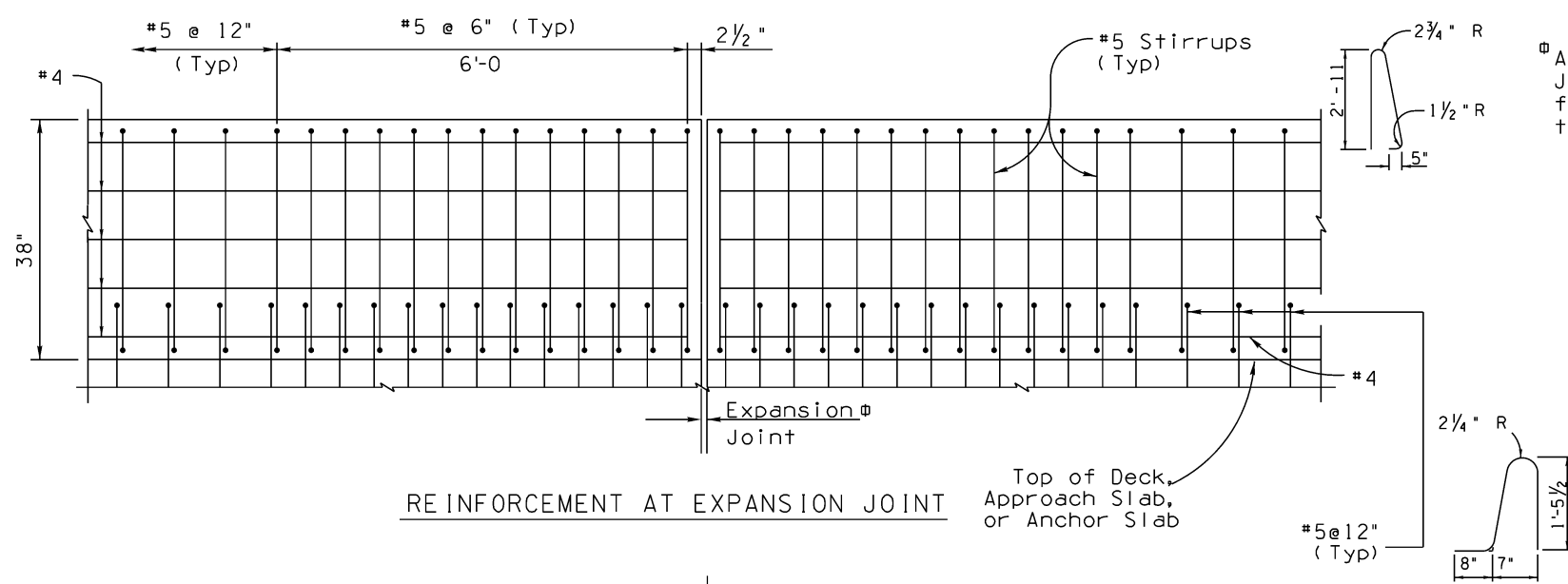
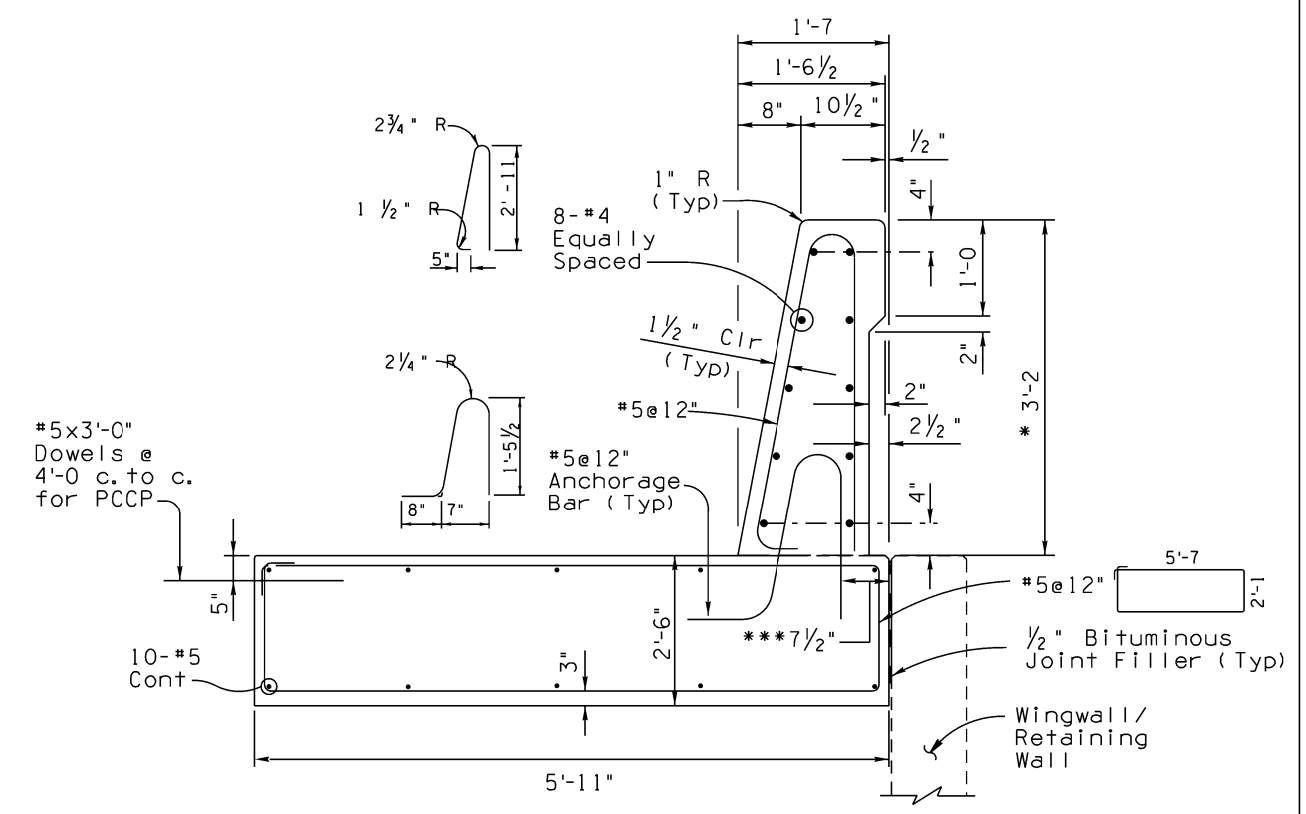
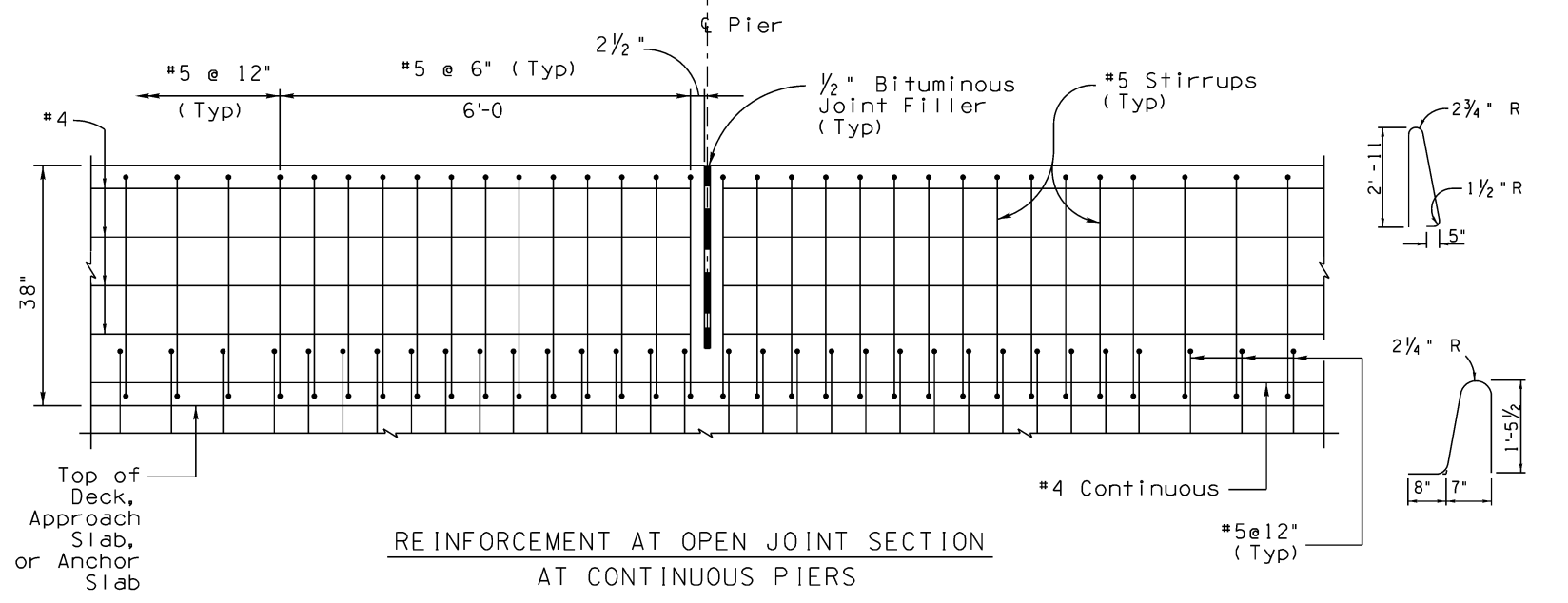


Note to Designer: The information presented in this Standard Drawing has been prepared in accordance with recognized engineering principles and is for general use. It should not be used for specific application without competent professional examination and verification of its suitability and applicability by a licensed professional engineer. Contents within the inner border line shall not be altered.

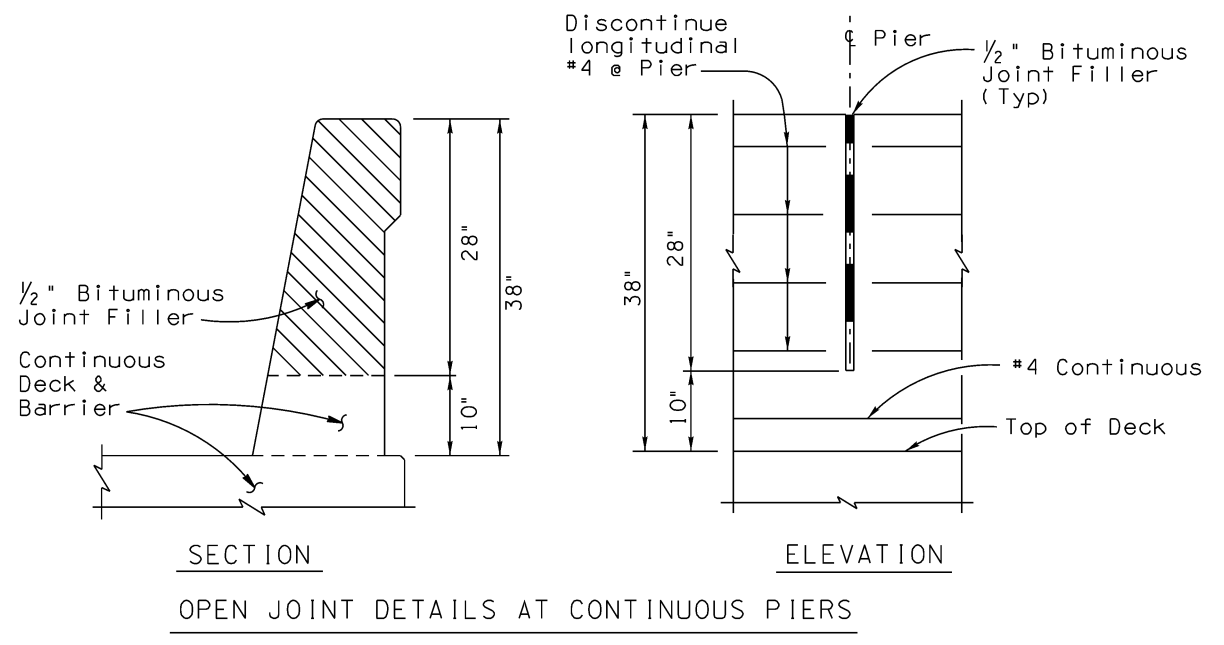
05/21
 PRIOR DISTRIBUTION DATE



OPEN JOINT DETAILS AT EXPANSION JOINTS



CONTINUOUS BARRIER ON FOOTING
BARRIER HEIGHT = 38"



- * When using barrier on footing beyond the approach slab, the minimum length of the barrier footing shall be 5'-0.
- * When concrete barrier on footing is being used for other applications, the minimum length of barrier on footing shall be 23'-0.

STANDARDS ENGINEER B. SINGH	ARIZONA DEPARTMENT OF TRANSPORTATION INFRASTRUCTURE DELIVERY AND OPERATIONS DIVISION BRIDGE GROUP STANDARD DRAWING		DRAWING NO. SD 1.10 (2 of 2)
RECOMMENDED FOR APPROVAL GROUP MANAGER D. BENTON			
APPROVED	STANDARDS COMMITTEE APPROVED FOR DISTRIBUTION	09/24 DATE	38" SINGLE SLOPE BRIDGE CONCRETE BARRIER AND TRANSITION