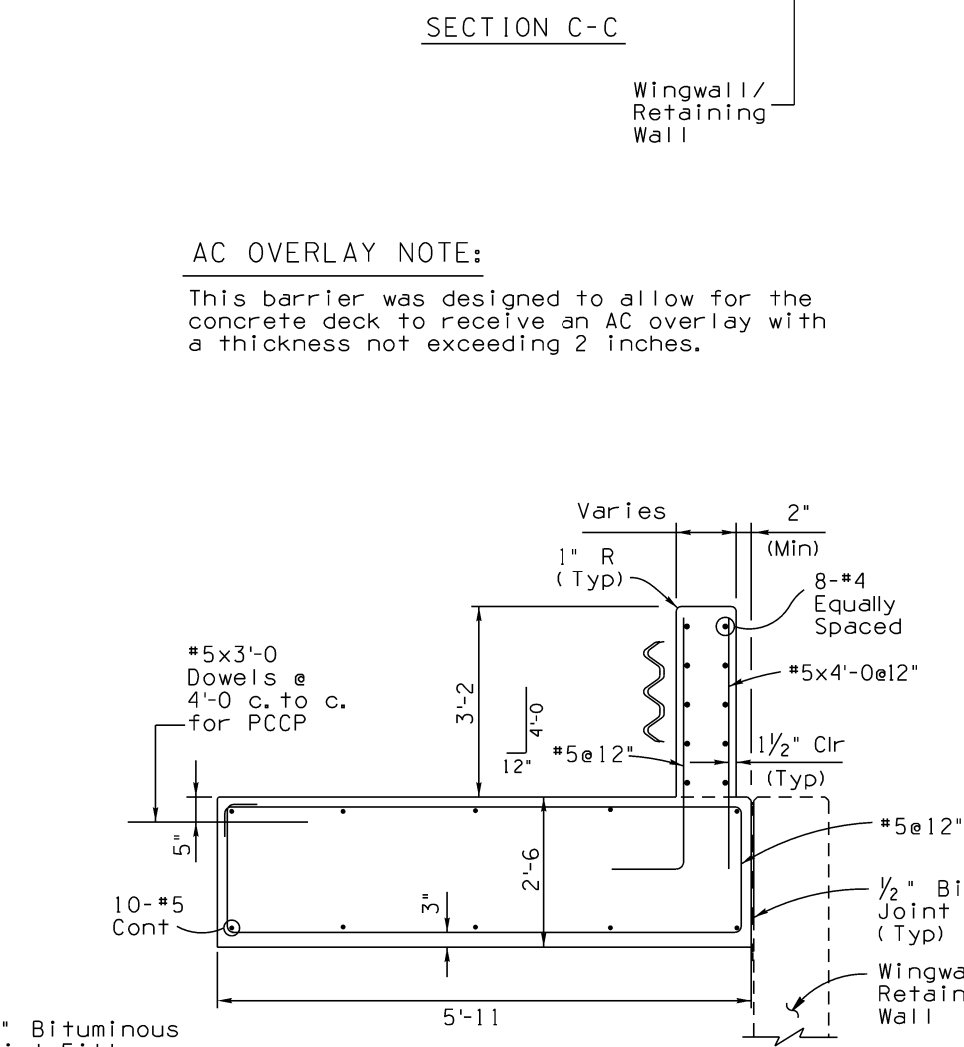
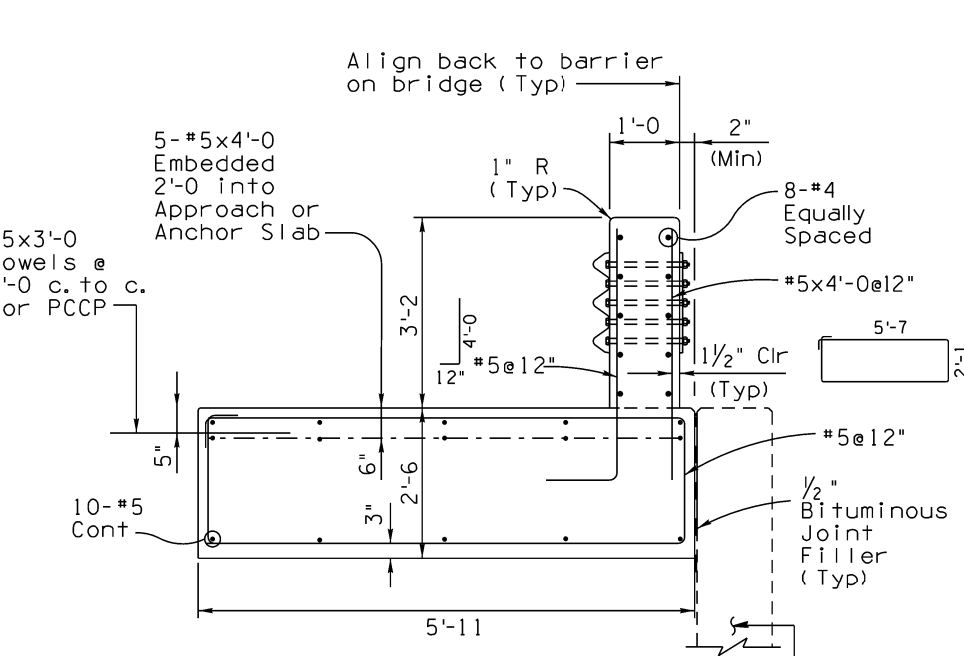
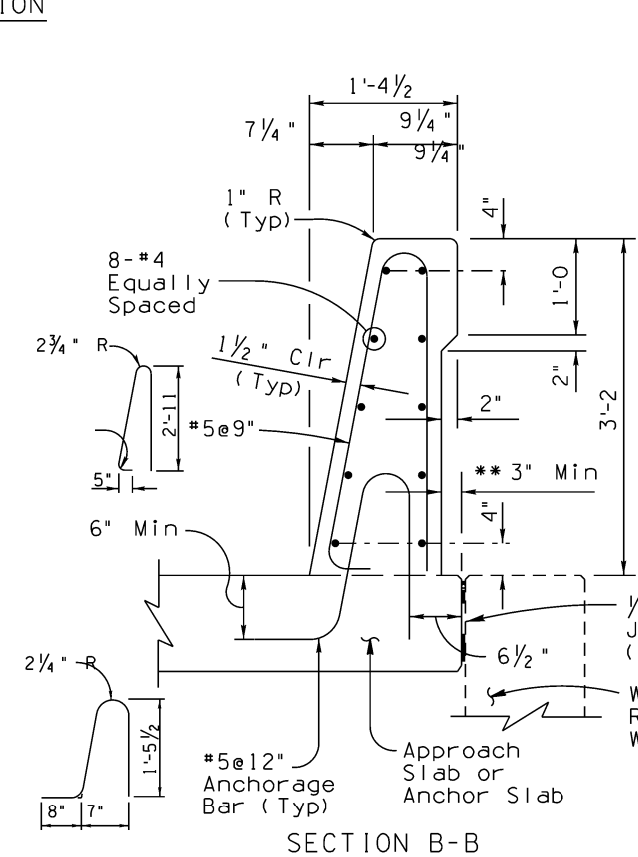
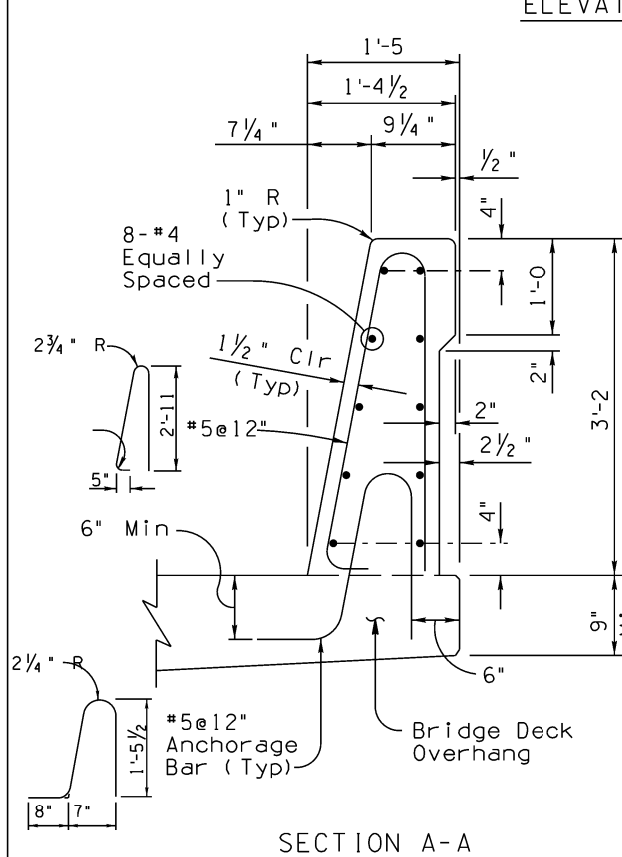
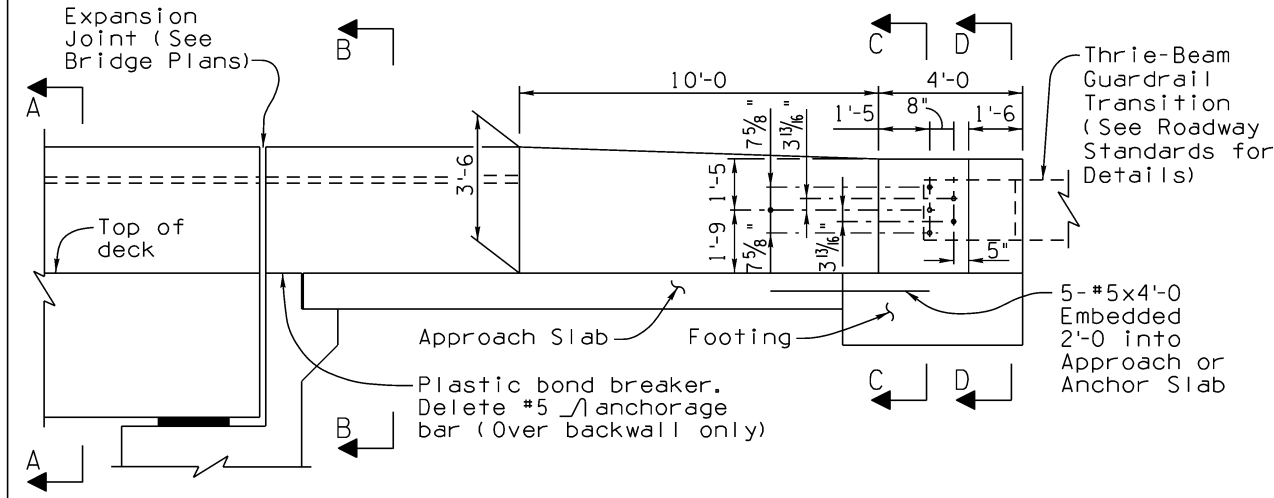
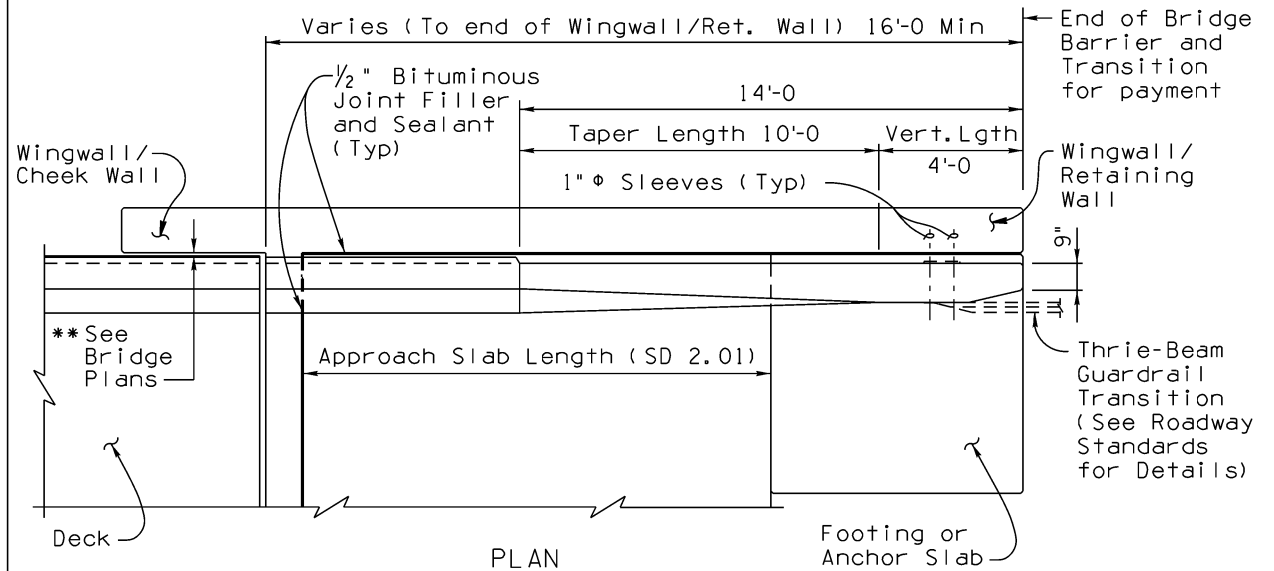


Note to Designer: The information presented in this Standard Drawing has been prepared in accordance with recognized engineering principles and is for general use. It should not be used for specific application without competent professional examination and verification of its suitability and applicability by a licensed professional engineer. Contents within the inner border line shall not be altered.

02/23

PRIOR DISTRIBUTION DATE



AC OVERLAY NOTE:
 This barrier was designed to allow for the concrete deck to receive an AC overlay with a thickness not exceeding 2 inches.

GENERAL NOTES:
 Construction Specification - Arizona Department of Transportation Standard Specifications for Road and Bridge Construction, latest edition.
 Design Specifications - AASHTO LRFD Bridge Design Specifications, 8th Edition 2017.

This barrier has been evaluated and approved to be of equal strength to barriers with like geometry, which were successfully crash tested to meet MASH 16 requirements for Test Level 4.
 Design Loads:
 Dynamic Load (For barrier Design) = 80^k
 Dynamic load is based on NCHRP 20-07(395) MASH Equivalency of NCHRP Report 350 - Approved Bridge Railings.
 Equivalent Static Load (For footing design) = 28^k
 Footing design is based on NCHRP Report 663.

All Concrete shall be Class "S" (f'c = 4000 psi).
 Reinforcing steel shall conform to ASTM Specification A615. All reinforcing shall be epoxy coated at locations above an elevation of 4000 feet.

All bends and hooks shall meet the requirements of AASHTO LRFD Article 5.10. All bend dimensions for reinforcing steel shall be out-to-out of bars. All placement dimensions for reinforcing steel shall be to center of bars unless noted otherwise.

All reinforcing steel shall have 2 inch clear cover unless noted otherwise.
 Concrete barriers on continuous superstructures shall have 1/2 inch bituminous joint filler in open joints over piers.

Embed 1/2 inch, Bridge Number and Year Built, using 1 1/2 inch w x 2 inch h number impressions in concrete, located as shown at the approach end of the outside lane.

Anchorage bars and footing will be included in the pay item for the barrier (Item No. 6011151).

Omit bridge barrier transition when concrete barrier is continuous beyond the bridge.

Dimensions shall not be scaled from drawings.

** A 1 inch bituminous joint filler thickness is assumed at the cheek wall. Verify the thickness from the bridge plans.

Item	38" Single Slope Bridge Concrete Barrier and Transition
Item No.	6011150
Measurement	Linear Foot

STANDARDS ENGINEER	B. SINGH
RECOMMENDED FOR APPROVAL	D. BENTON
GROUP MANAGER	
APPROVED	
STANDARDS COMMITTEE APPROVED FOR DISTRIBUTION	09/24 DATE

ARIZONA DEPARTMENT OF TRANSPORTATION INFRASTRUCTURE DELIVERY AND OPERATIONS DIVISION BRIDGE GROUP STANDARD DRAWING	
38" SINGLE SLOPE BRIDGE CONCRETE BARRIER AND TRANSITION	DRAWING NO. SD 1.10 (1 of 2)