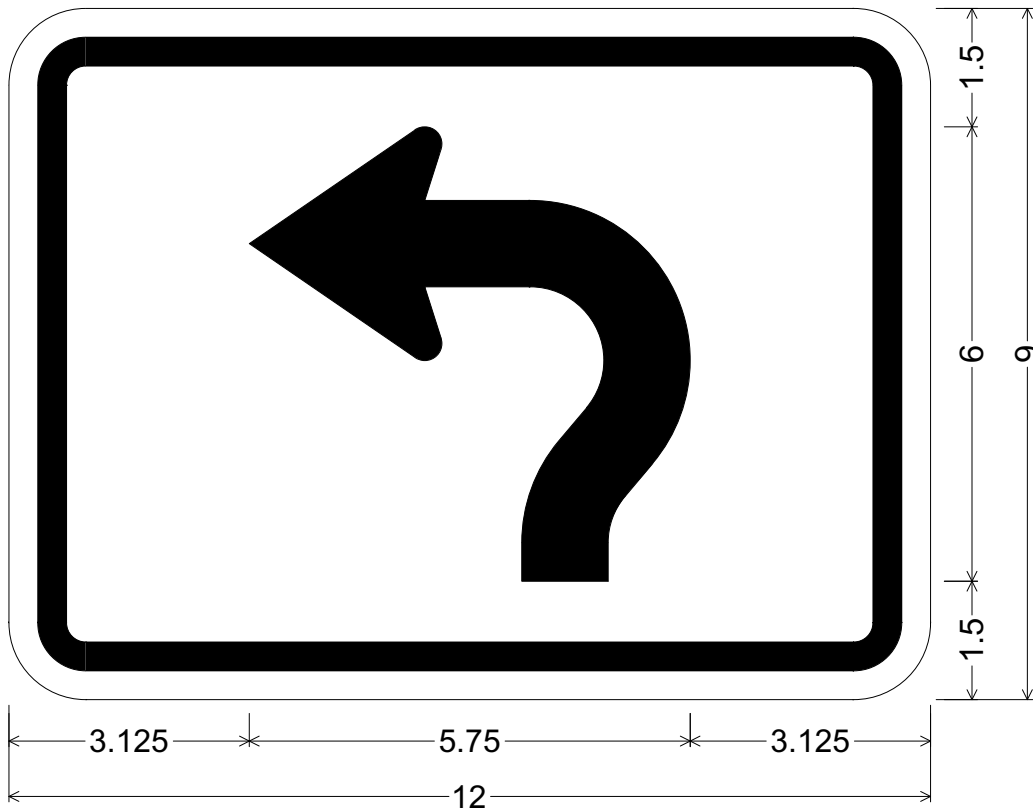


CODE: M5-3  
SIZE: 12" x 9"  
MINIMUM



M05-03(12x9-MIN)WHT;  
1.000" Radius, 0.375" Border, 0.375" Indent, Black on White;  
M5-3 - Arrow, 1.125" Stroke;



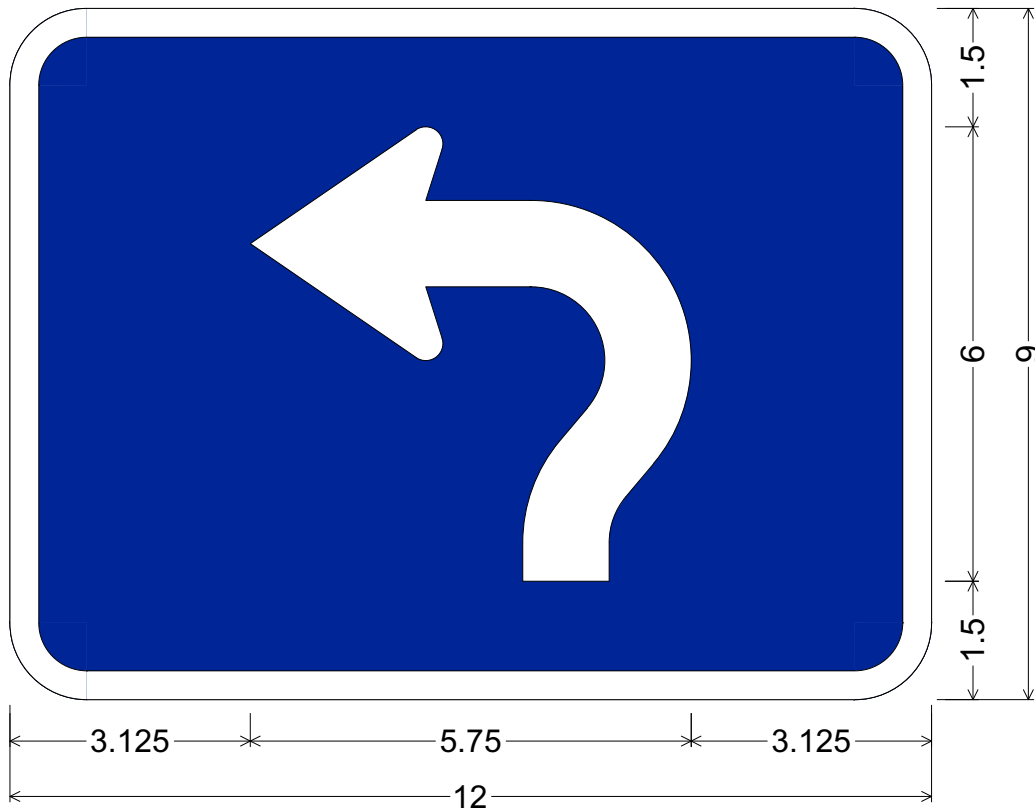
**Colors:**  
Arrow & Border: Black (Non-Reflective)  
Background: White or Orange (Reflective)

All dimensions are in inches

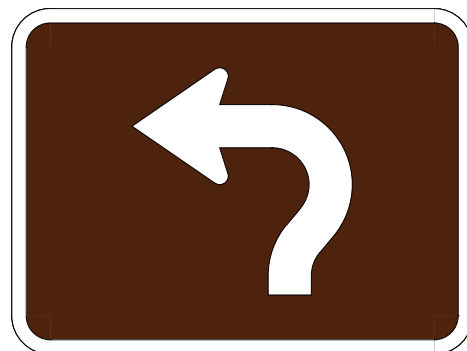
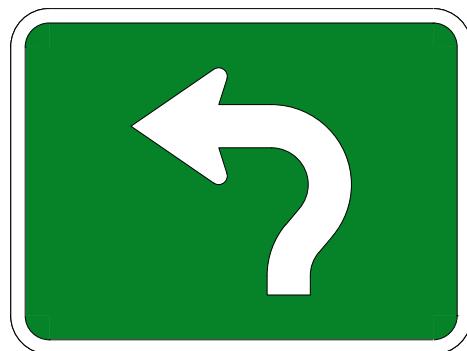
Designed By: L. LOPEZ

Issue Date: August 2023

CODE: M5-3  
SIZE: 12" x 9"  
MINIMUM



M05-03(12x9-MIN)BLU;  
1.000" Radius, 0.375" Border, White on Blue;  
M5-3 - Arrow, 1.125" Stroke;



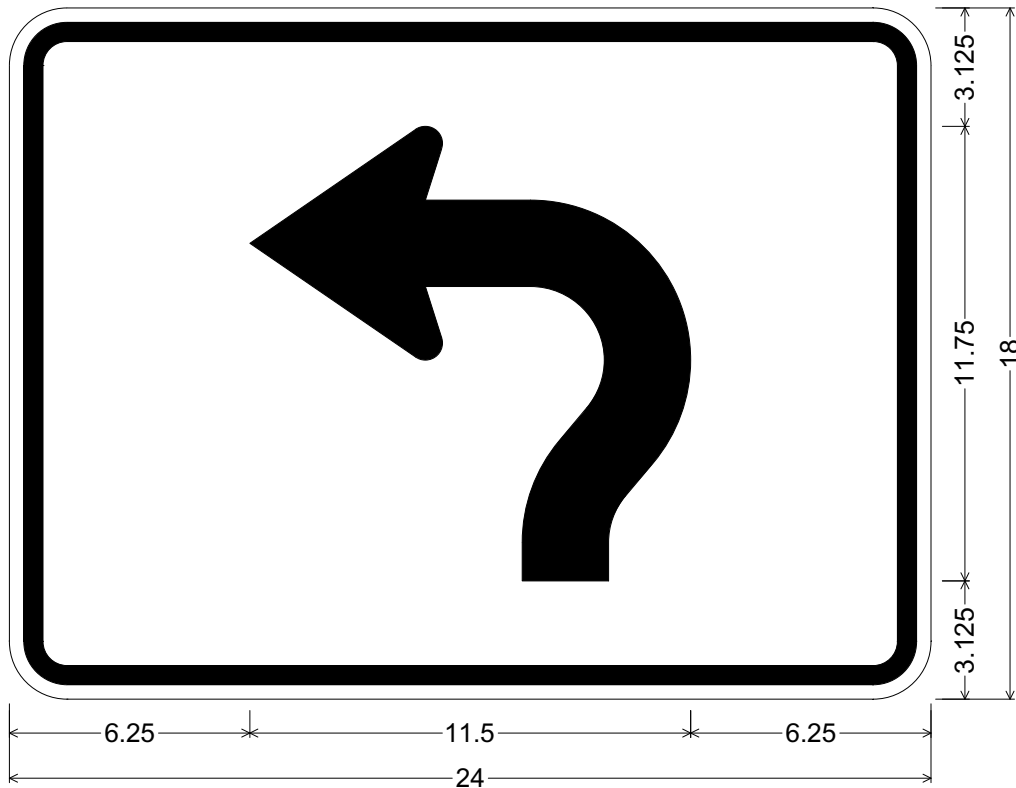
**Colors:**  
Arrow & Border: White (Reflective)  
Background: Blue, Green or Brown (Reflective)

All dimensions are in inches

Designed By: L. LOPEZ

Issue Date: August 2023

CODE: M5-3  
SIZE: 24" x 18"  
STANDARD



M05-03(24x18-STD)WHT;  
1.500" Radius, 0.500" Border, 0.375" Indent, Black on White;  
M5-3 - Arrow, 2.25" Stroke;



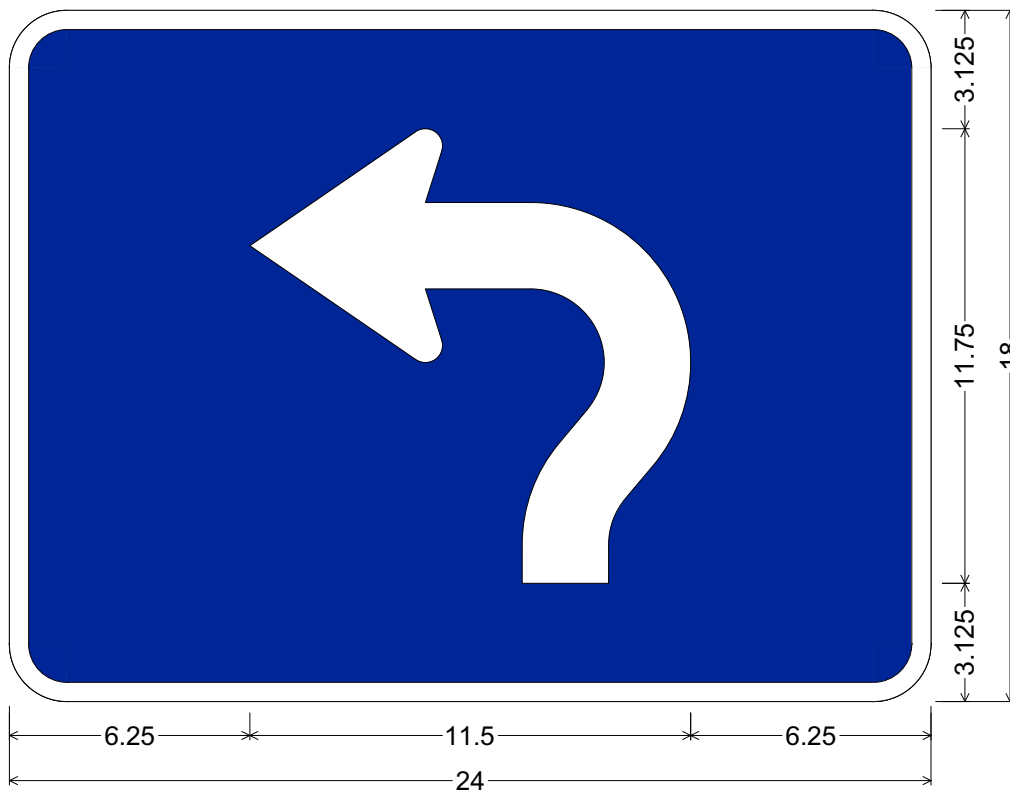
**Colors:**  
Arrow & Border: Black (Non-Reflective)  
Background: White or Orange (Reflective)

All dimensions are in inches

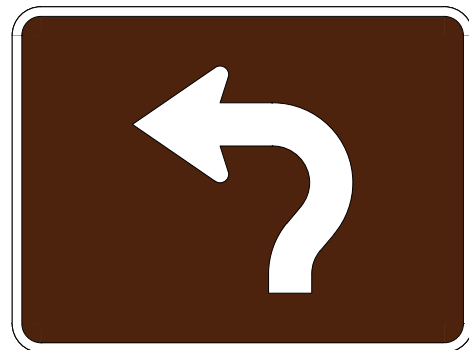
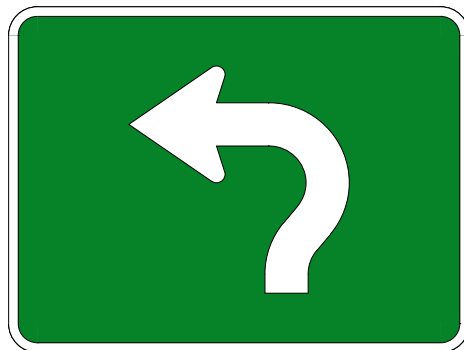
Designed By: L. LOPEZ

Issue Date: August 2023

CODE: M5-3  
SIZE: 24" x 18"  
STANDARD



M05-03(24x18-STD)WHT;  
1.500" Radius, 0.500" Border, White on Blue;  
M5-3 - Arrow, 2.25" Stroke;



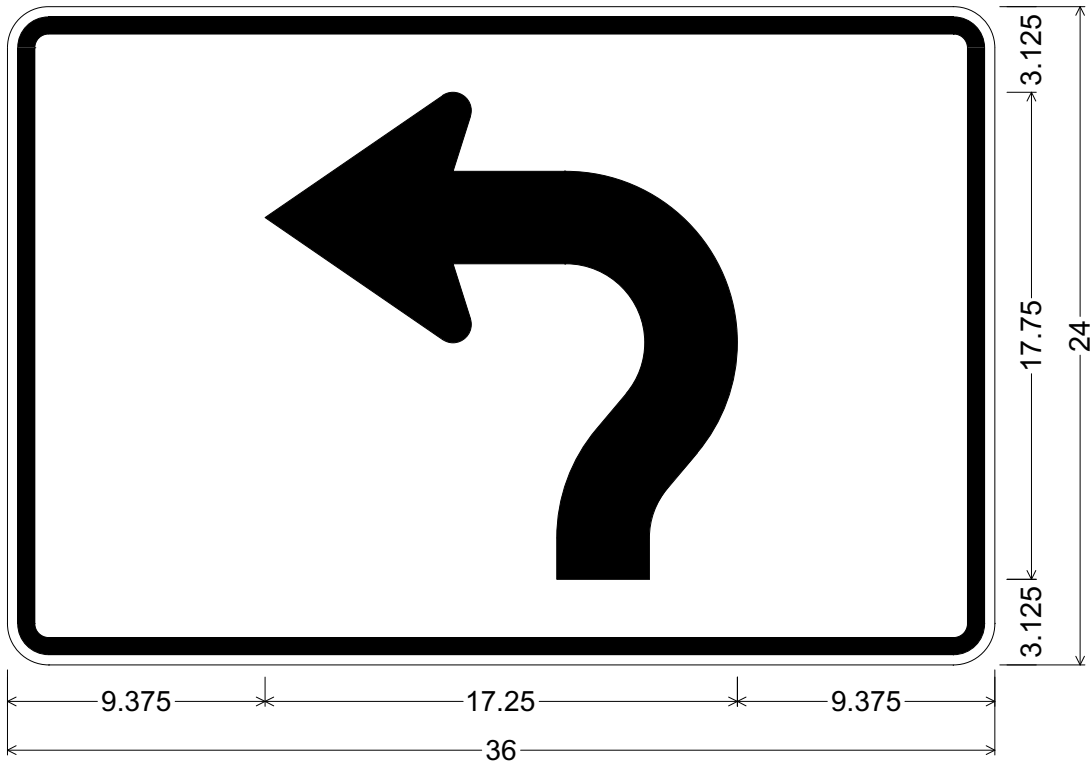
**Colors:**  
Arrow & Border: White (Reflective)  
Background: Blue, Green or Brown (Reflective)

All dimensions are in inches

Designed By: L. LOPEZ

Issue Date: August 2023

CODE: M5-3  
SIZE: 36" x 24"  
SPECIAL



M05-03(36x24-SPCL)WHT;  
1.500" Radius, 0.625" Border, 0.375" Indent, Black on White;  
M5-3 - Arrow, 3.375" Stroke;



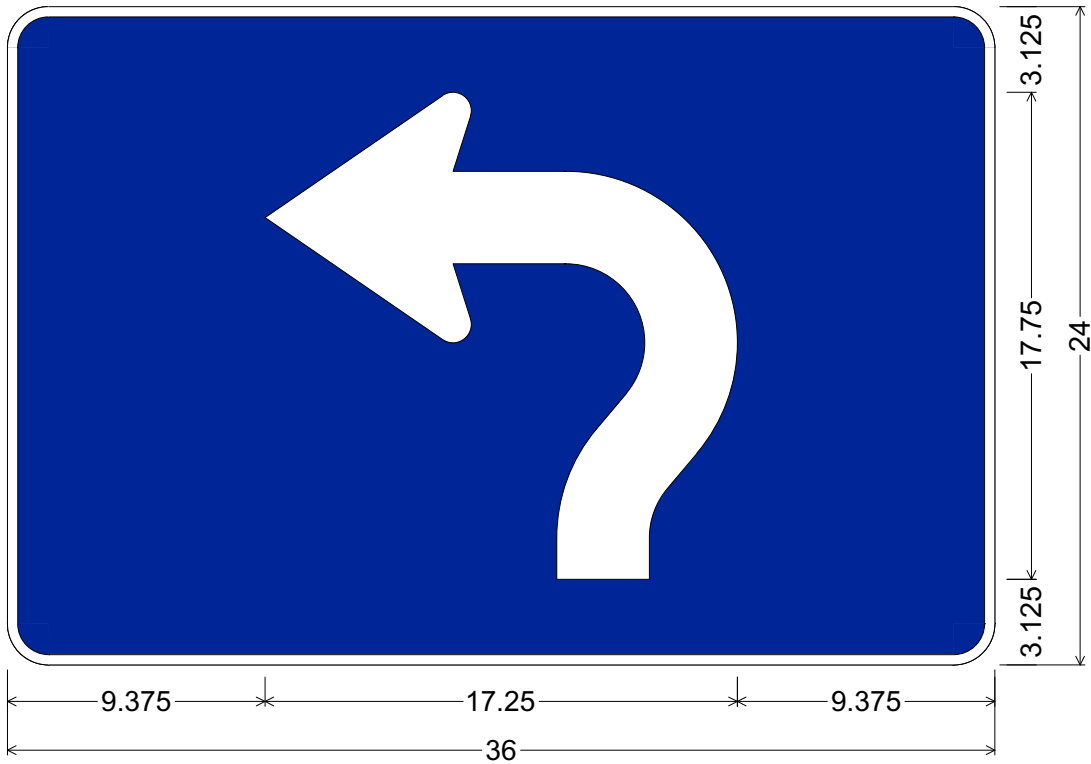
**Colors:**  
Arrow & Border: Black (Non-Reflective)  
Background: White or Orange (Reflective)

All dimensions are in inches

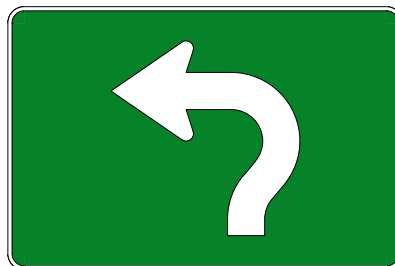
Designed By: L. LOPEZ

Issue Date: August 2023

CODE: M5-3  
SIZE: 36" x 24"  
SPECIAL



M05-03(36x24-SPCL)WHT;  
1.500" Radius, 0.375" Border, White on Blue;  
M5-3 - Arrow, 3.375" Stroke;



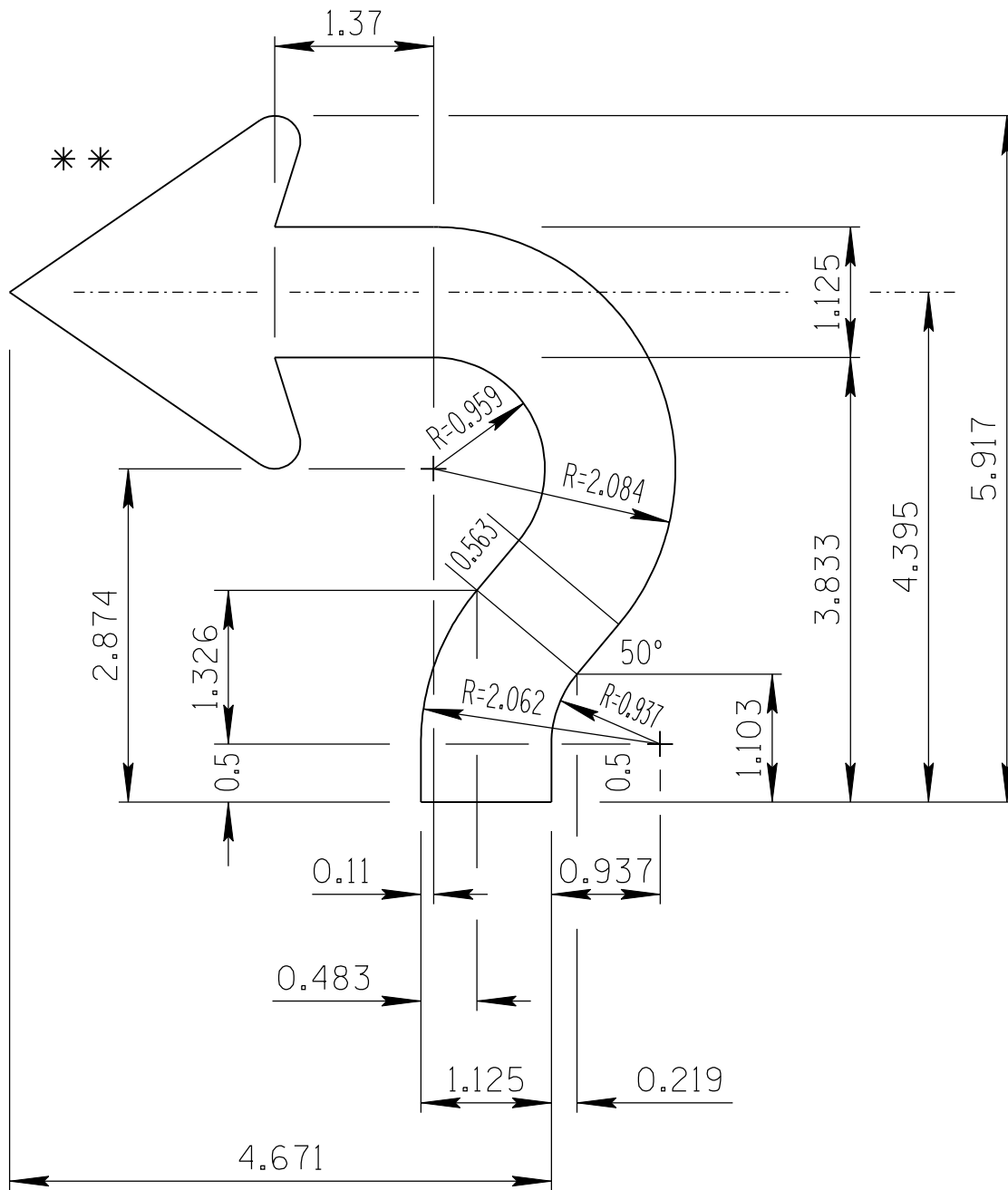
**Colors:**  
Arrow & Border: White (Reflective)  
Background: Blue, Green or Brown (Reflective)

All dimensions are in inches

Designed By: L. LOPEZ

Issue Date: August 2023

ARROW CODE: M5-3  
1.125"  
 Stroke



1.125" Stroke

\* \* For arrowhead dimensions, see  
 ADOT STANDARD ARROW HEAD DETAILS.

All dimensions are in inches. Length  
 and width dimensions can be rounded  
 to the nearest 1/8 inch.

ARIZONA DEPARTMENT OF TRANSPORTATION  
 TRAFFIC ENGINEERING GROUP

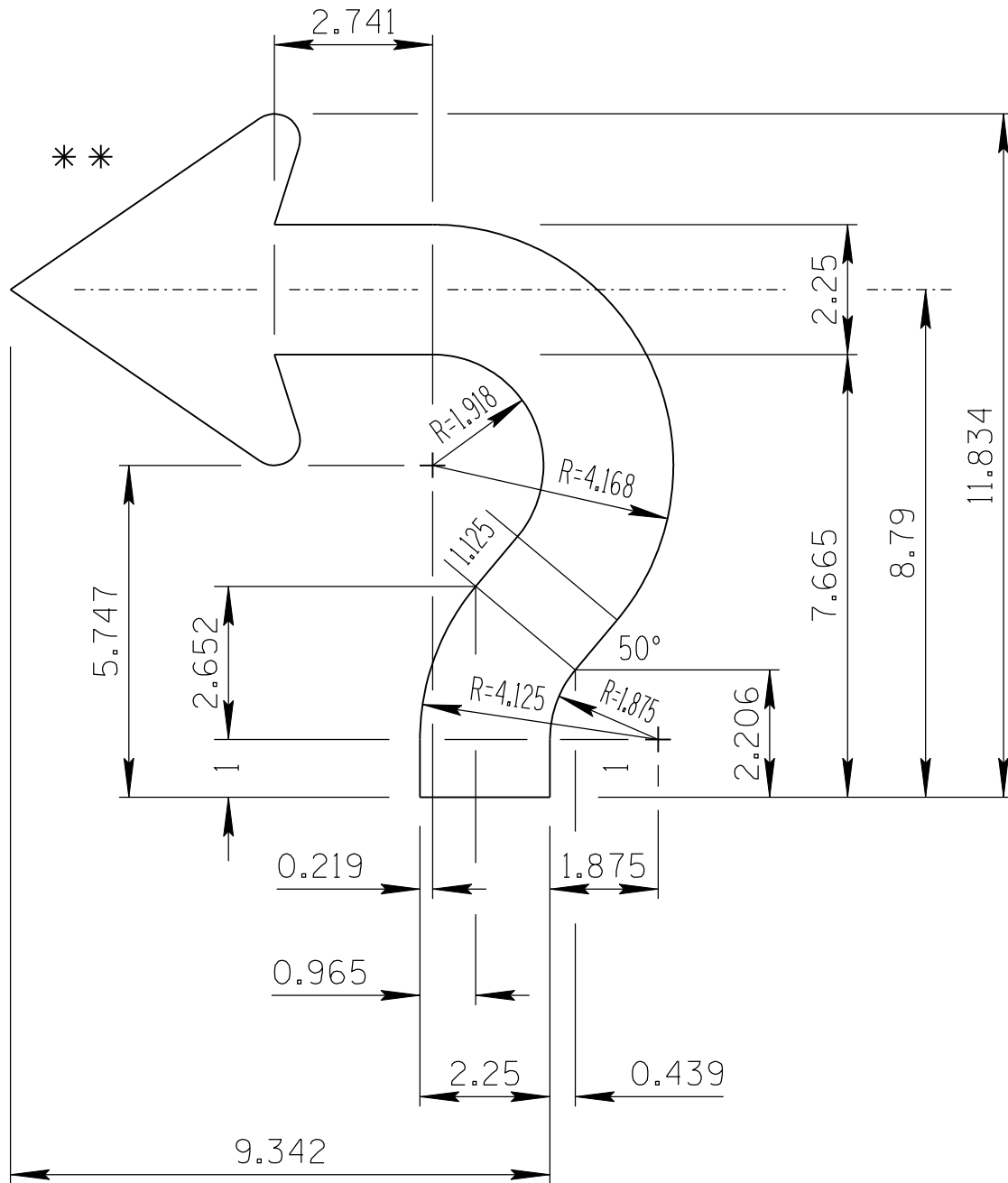
DRAWN:

L. LOPEZ

DATE:

JULY/2015

ARROW CODE: M5-3  
2.25"  
 Stroke



2.25" Stroke

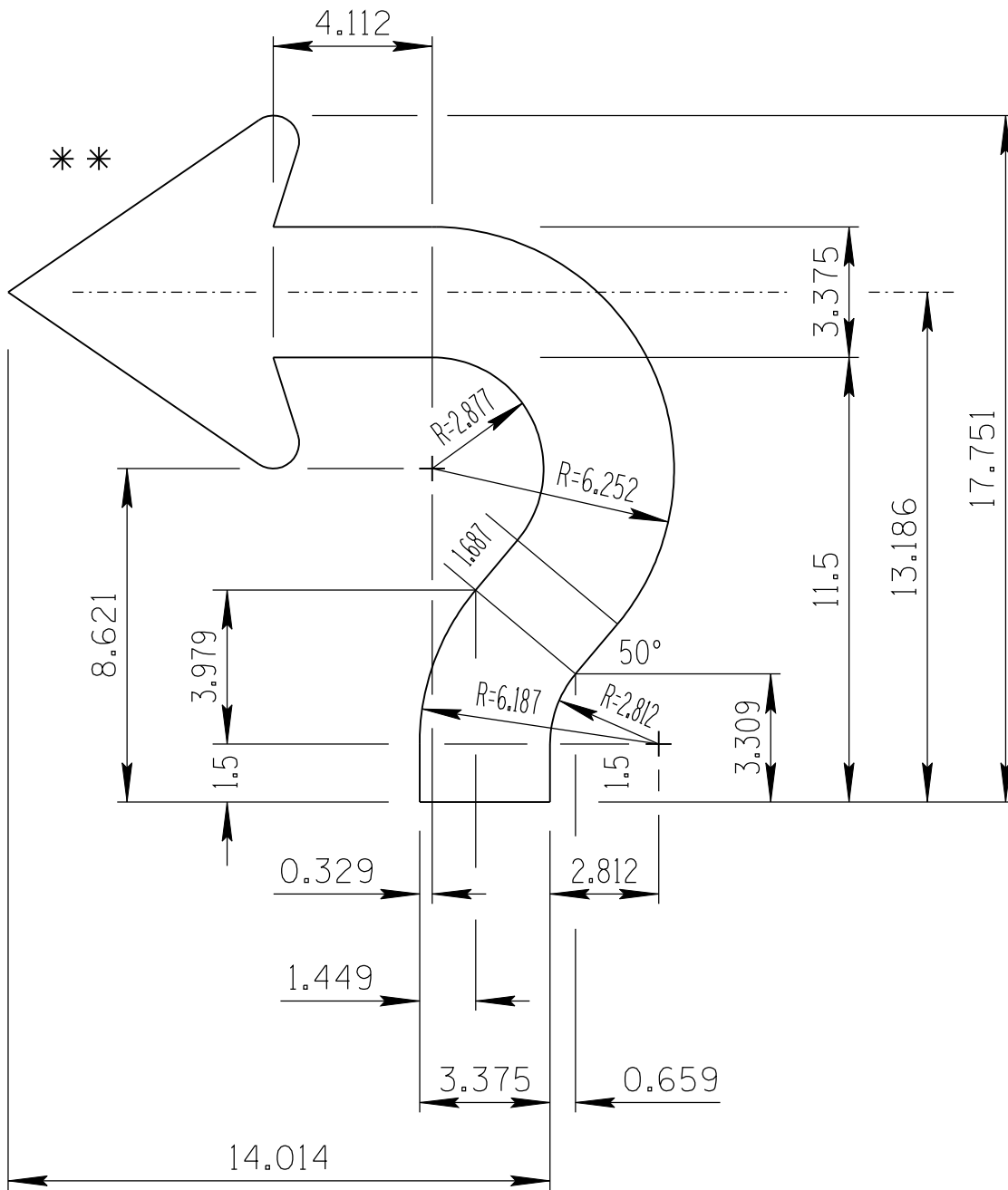
\* \* For arrowhead dimensions, see  
 ADOT STANDARD ARROW HEAD DETAILS.

All dimensions are in inches. Length  
 and width dimensions can be rounded  
 to the nearest 1/8 inch.

ARIZONA DEPARTMENT OF TRANSPORTATION TRAFFIC ENGINEERING GROUP	
DRAWN: L. LOPEZ	DATE: JULY/2015



ARROW CODE: M5-3  
3.375"  
 Stroke



3.375" Stroke

\*\* For arrowhead dimensions, see  
 ADOT STANDARD ARROW HEAD DETAILS.

All dimensions are in inches. Length  
 and width dimensions can be rounded  
 to the nearest 1/8 inch.

ARIZONA DEPARTMENT OF TRANSPORTATION  
 TRAFFIC ENGINEERING GROUP

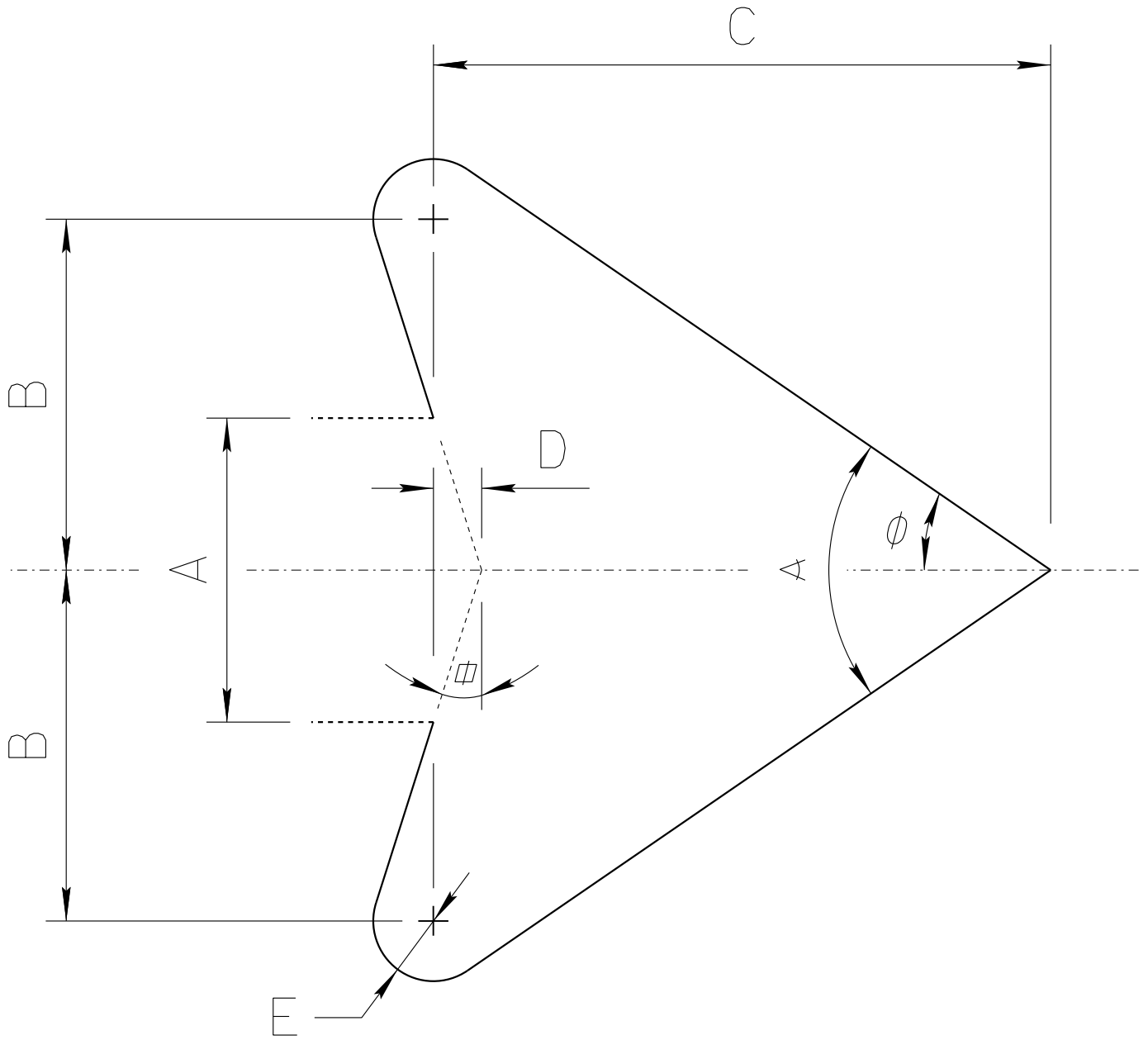
DRAWN:

L. LOPEZ

DATE:

JULY/2015

# ADOT STANDARD ARROW HEAD DETAILS



$A =$  Arrow Shaft Stroke Width

$B = 1.15 \times A$

$C = 2.025 \times A$

$D = 0.16169 \times A$

$E = 0.2 \times A$

$\alpha = 17.92^\circ$

$\phi = 34.519^\circ$

$\alpha = 69.038^\circ$

ARIZONA DEPARTMENT OF TRANSPORTATION  
TRAFFIC ENGINEERING GROUP

DRAWN:

L. LOPEZ

DATE:

AUGUST/2019