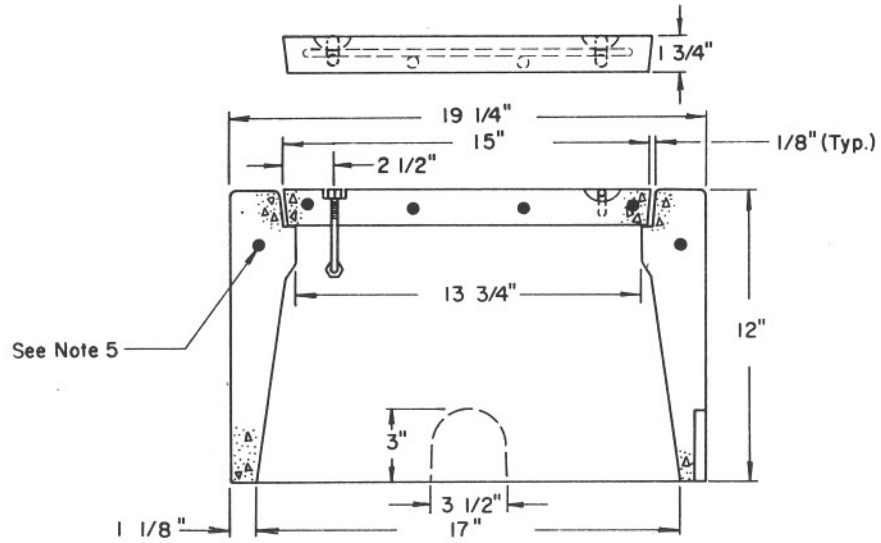
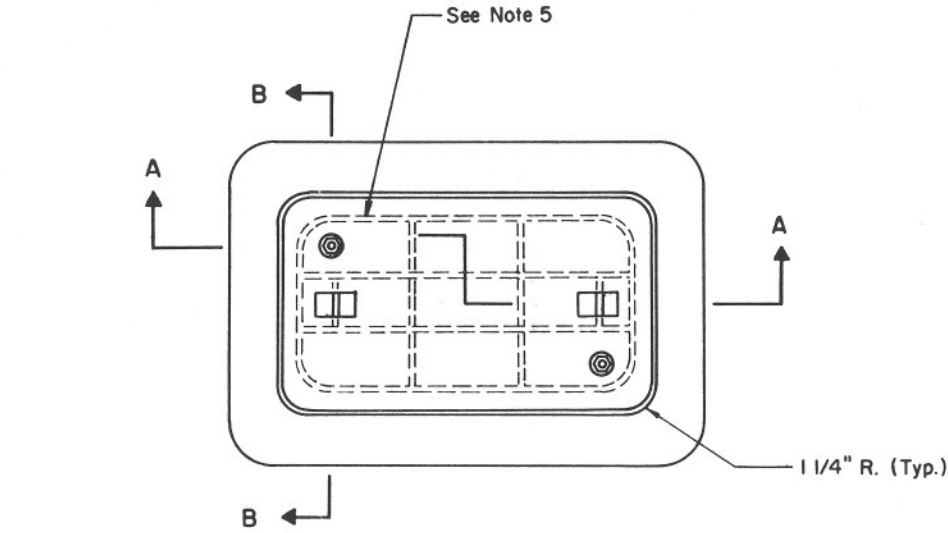
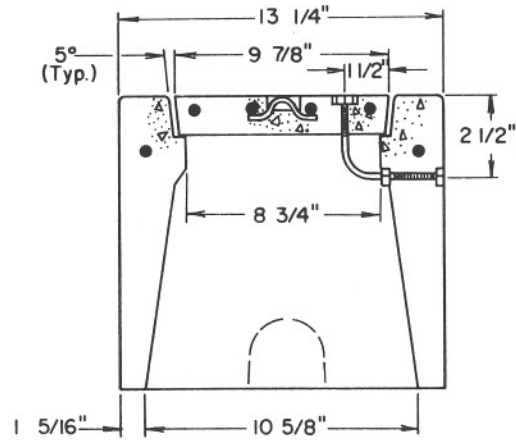


NOTES:

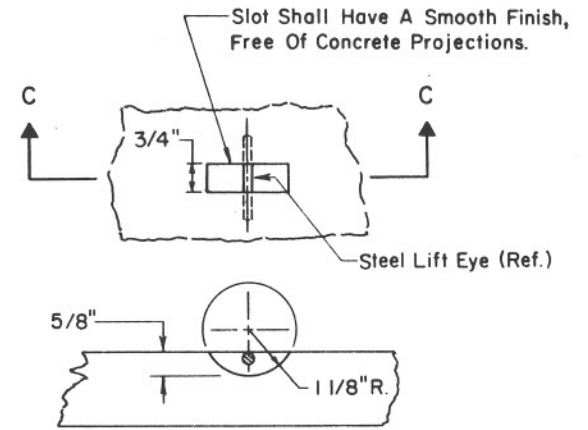
1. See the Specifications for material and construction.
2. Covers shall be secured with 3/8" "L" bolts, nuts and washers, which shall be of brass, stainless steel, or other corrosion resistant material. Stainless steel shall have a chromium content of not less than 18% and a nickel content of not less than 8%. Nuts shall be recessed below top surface of cover.
3. Cover lettering shall be 1" letters cast in standard markings: A.D.O.T. ELECTRICAL HIGH VOLTAGE
4. See T.S. I-6 for typical installation details.
5. Steel reinforcing shall be as regularly used in standard products of the respective manufacturer.



SECTION A-A



SECTION B-B



SECTION C-C
LIFT EYE SLOT DETAIL

DESIGN APPROVED <i>Carley Brown</i> 7/24/85	STATE OF ARIZONA DEPARTMENT OF TRANSPORTATION DIVISION OF HIGHWAYS STANDARD DRAWINGS	REV.
APPROVED FOR DISTRIBUTION <i>[Signature]</i>	NO. 3 1/2 PULL BOX	DRAWING NO. T.S. I-1